

**QUALITY**  
**SOPHISTICATED**  
**ALUMINIUM**



**FUTURE Aluminum industry** is a well renowned company that has been in the market for 20 years, providing exceptional products, advanced manufacturing equipment, state of the art quality procedures and satisfaction driven service. FUTURE Aluminum industries specialize in extruded Aluminum profiles from the simplest to the most complex, to be utilized in a variety of applications, From Structural components to decorative and architectural elements. Future Aluminum industries extrusion plant is capable of producing Aluminum Extrusion 24,000 tons/ year Powder Coating 10,000 tons/ year.

The prime objective of FUTURE Aluminum industries is to guarantee the best quality and logistics of supply, our company has established a very high standard quality check system in guaranteeing that all extruded profiles are of the highest caliber. FUTURE Aluminum industries use only the most modern, advanced, state of the art Italian machinery for producing the best quality Aluminum profiles.

FUTURE sophisticated extrusion, Water quenching and powder coating machinery, guarantees that every profile From FUTURE, regardless of the complexity is of the highest standard and caliber.



“Our aim is to exceed our customers expectation through state of the art products and manufacturing processes. To pursue an aggressive outgoing research and development program thus insuring FUTURE as a leader”

**-MAROUF MUSTAFA BADRAN**  
cheif executive officer



## Technical Specifications

## Chemical Composition

ALLOY	Limit	Si	Fe	Cu	Mn	Mg	Cr	Zn	Ti	Zr	Others	Aluminium
6060	min.	0.30	0.10	-	-	0.35	-	-	-	-	-	Remainder
	max.	0.60	0.30	0.10	0.10	0.60	0.05	0.15	0.10	-	0.05	
6063	min.	0.20	-	-	-	0.45	-	-	-	-	-	
	max.	0.60	0.35	0.10	0.10	0.90	0.10	0.10	0.10	-	0.05	
6061	min.	0.40	-	0.15	-	0.80	0.04	-	-	-	-	
	max.	0.80	0.70	0.40	0.15	1.20	0.35	0.25	0.15	-	0.05	
6082	min.	0.70	-	-	0.40	0.60	-	-	-	-	-	
	max.	1.30	0.50	0.10	1.00	1.20	0.25	0.20	0.10	-	0.05	

## Mechanical Properties

Alloy 6061							
Temper	Dimensions mm t	R <sub>m</sub> MP <sub>a</sub>		R <sub>p0.2</sub> MP <sub>a</sub>		A %	A <sub>50mm</sub> %
		min.	max.	min.	max.		
T4	t < 25	180	-	110	-	15	13
T6	< 5	260	-	240	-	9	7
	5 < t < 25	260	-	240	-	10	8

6063							
Temper	Dimensions mm t	R <sub>m</sub> MP <sub>a</sub>		R <sub>p0.2</sub> MP <sub>a</sub>		A %	A <sub>50mm</sub> %
		min.	max.	min.	max.		
T4	t < 25	130	-	65	-	14	12
T6	< 10	215	-	170	-	8	6
	10 < t < 25	195	-	160	-	8	6

Alloy 6082							
Temper	Dimensions mm t	R <sub>m</sub> MP <sub>a</sub>		R <sub>p0.2</sub> MP <sub>a</sub>		A %	A <sub>50mm</sub> %
		min.	max.	min.	max.		
T4	< 25	205	-	110	-	14	12
Open profile T6	< 5	290	-	250	-	8	6
	5 < t < 25	310	-	260	-	10	8
Hollow profile T6	< 5	290	-	250	-	8	6
	5 < t < 15	310	-	260	-	10	8

## Technical Specifications

## Chemical Composition

ALLOY	Limit	Si	Fe	Cu	Mn	Mg	Cr	Zn	Ti	Others	Aluminium
6060	min.	0.30	0.10	-	-	0.35	-	-	-	-	Remainder
	max.	0.60	0.30	0.10	0.10	0.60	0.05	0.15	0.10	0.05	
6063	min.	0.20	-	-	-	0.45	-	-	-	-	
	max.	0.60	0.35	0.10	0.10	0.90	0.10	0.10	0.10	0.05	
6061	min.	0.40	-	0.15	-	0.80	0.04	-	-	-	
	max.	0.80	0.70	0.40	0.15	1.20	0.35	0.25	0.15	0.05	
6082	min.	0.70	-	-	0.40	0.60	-	-	-	-	
	max.	1.30	0.50	0.10	1.00	1.20	0.25	0.20	0.10	0.05	

### **TOLERANCES:**

Future Scaffolding And Aluminium Industries is committed to apply the latest International standards applied by the Quality Assurance Department for product and process testing and control procedures as the Following Standards:

British European Standards (BS EN)  
 International Standard (ISO)  
 American Standards (ASTM)  
 Qualicoat and Qualanod Standards

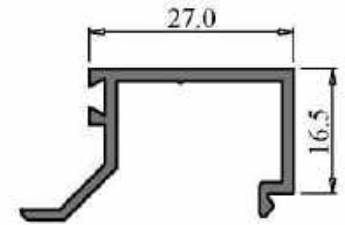
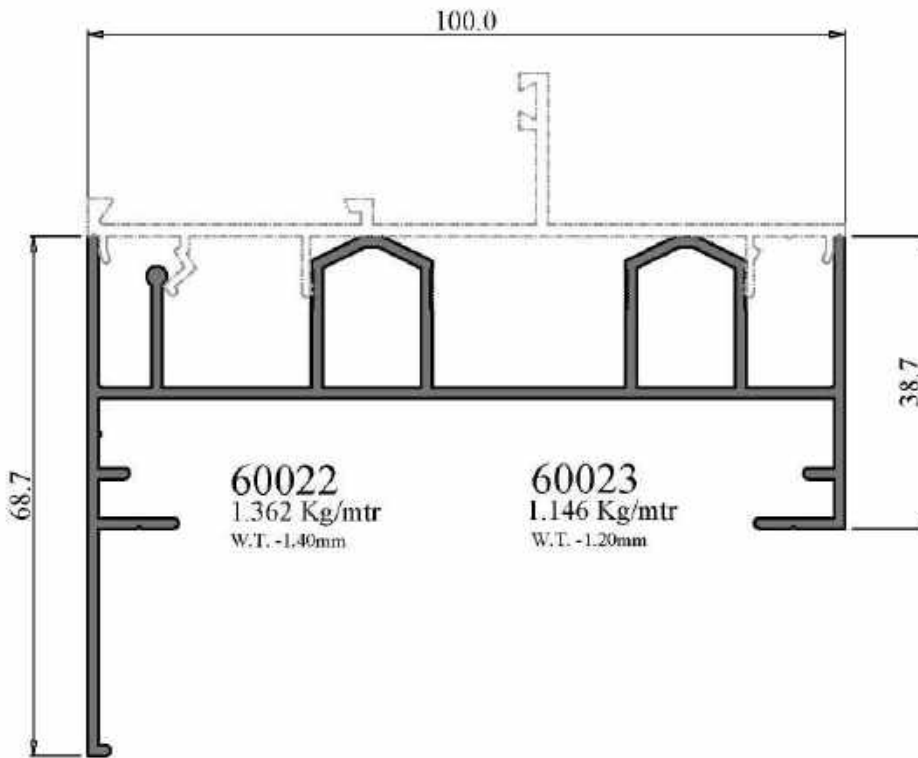
BS EN 755-9:2008 - Tolerances on Dimensions and Shape Aluminium Extruded Profiles

BS EN 755-2:2013 - Mechanical Properties Aluminium and Aluminium Alloys and Extruded profiles

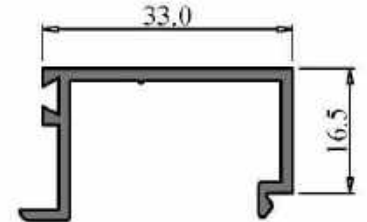
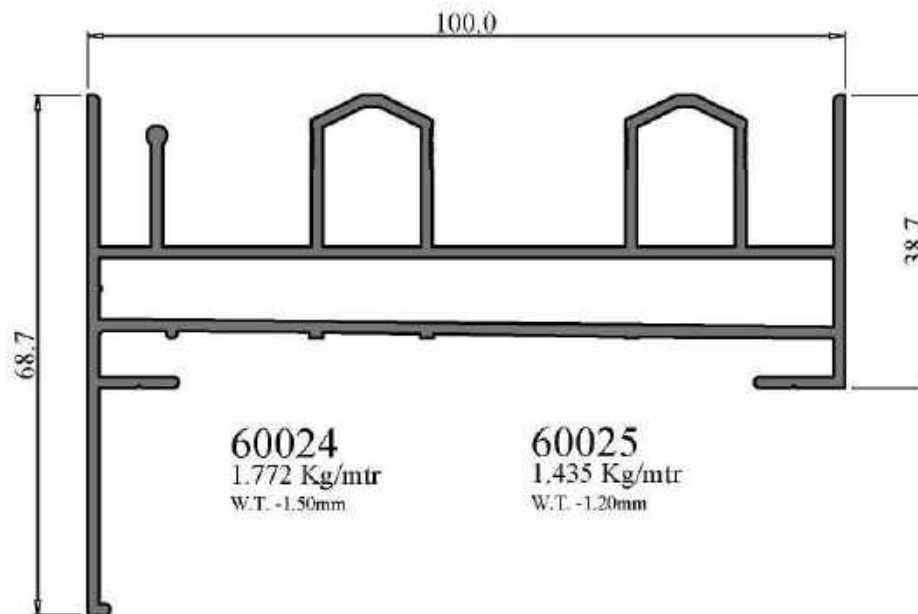


**SLIDING  
DOORS & WINDOWS  
100 mm Series**

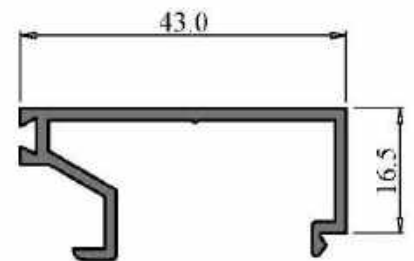
# SLIDING DOORS & WINDOWS 100 MM SERIES



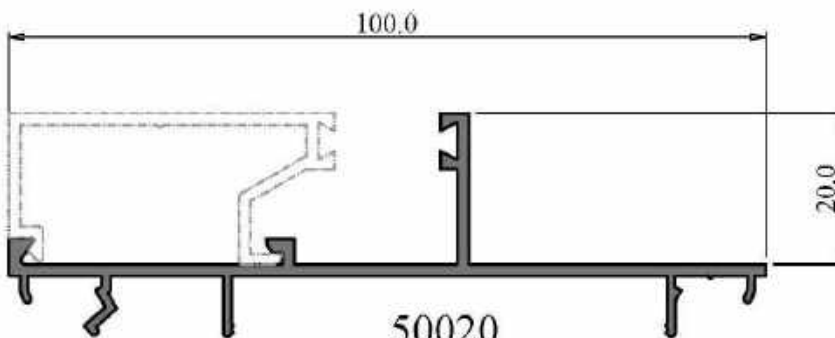
**50017**  
0.312 Kg/mtr  
W.T. -1.60mm



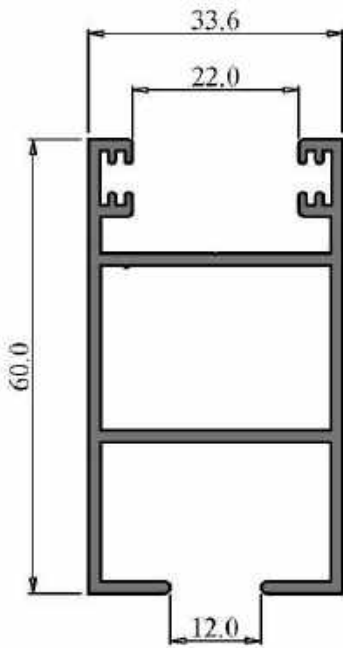
**50018**  
0.331 Kg/mtr  
W.T. -1.60mm



**50019**  
0.394 Kg/mtr  
W.T. -1.60mm

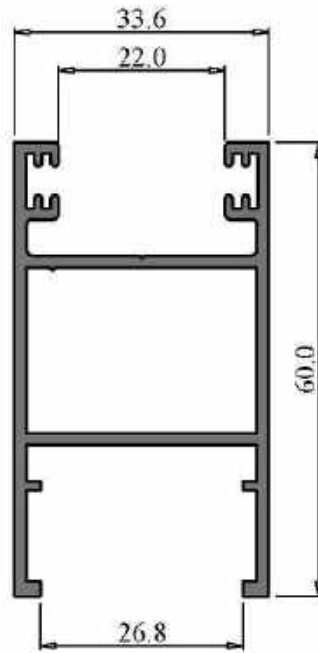


**50020**  
0.657 Kg/mtr  
W.T. -1.50mm



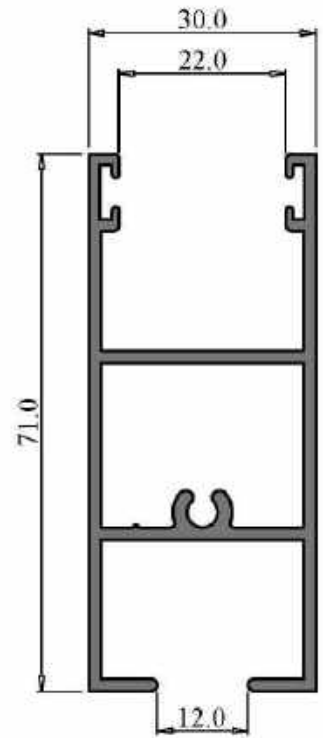
**60026**  
0.956 Kg/mtr  
W.T. -1.60mm

**60027**  
0.752 Kg/mtr  
W.T. -1.20mm



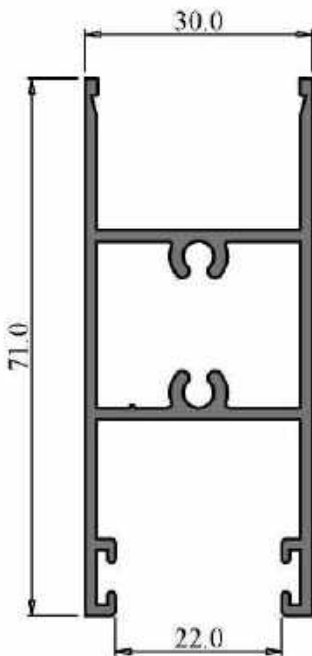
**60028**  
0.911 Kg/mtr  
W.T. -1.60mm

**60029**  
0.745 Kg/mtr  
W.T. -1.25mm



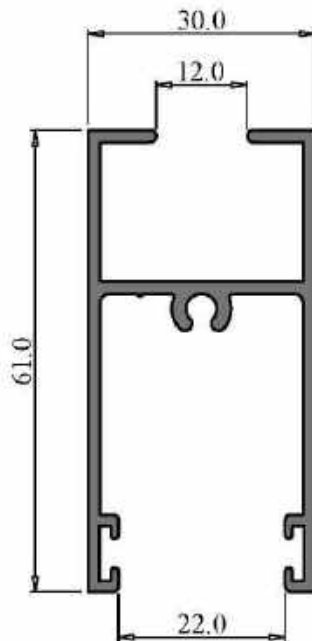
**60030**  
1.012 Kg/mtr  
W.T. -1.60mm

**60031**  
0.787 Kg/mtr  
W.T. -1.20mm



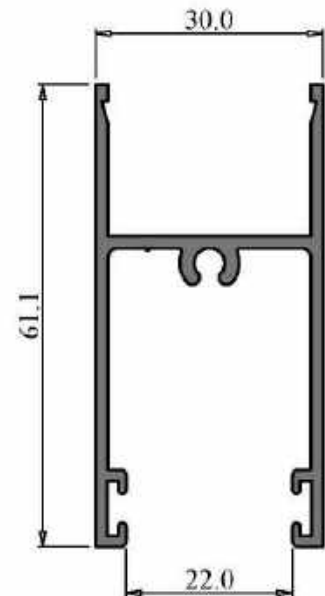
**60032**  
0.947 Kg/mtr  
W.T. -1.50mm

**60033**  
0.780 Kg/mtr  
W.T. -1.20mm



**50013**  
0.812 Kg/mtr  
W.T. -1.60mm

**50014**  
0.752 Kg/mtr  
W.T. -1.40mm

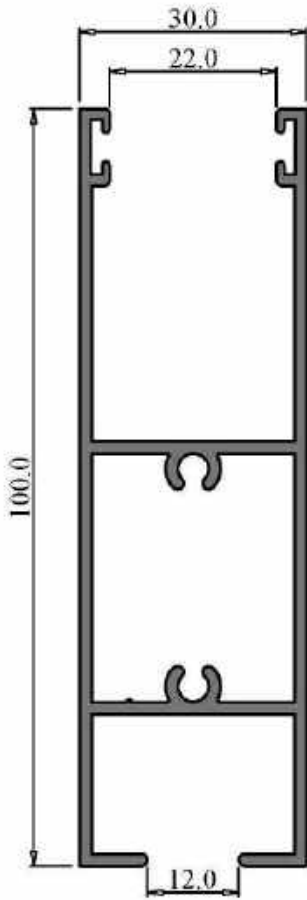


**50015**  
0.744 Kg/mtr  
W.T. -1.60mm

**50016**  
0.595 Kg/mtr  
W.T. -1.20mm

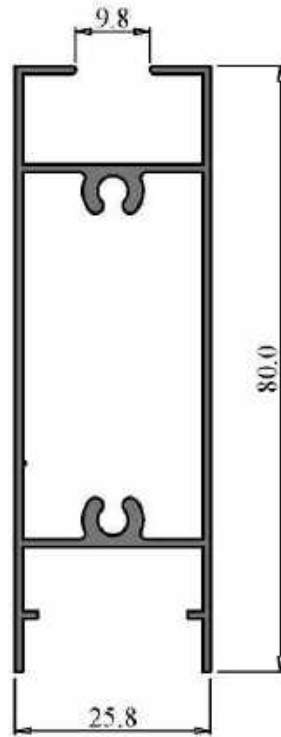


# SLIDING DOORS & WINDOWS 100 MM SERIES

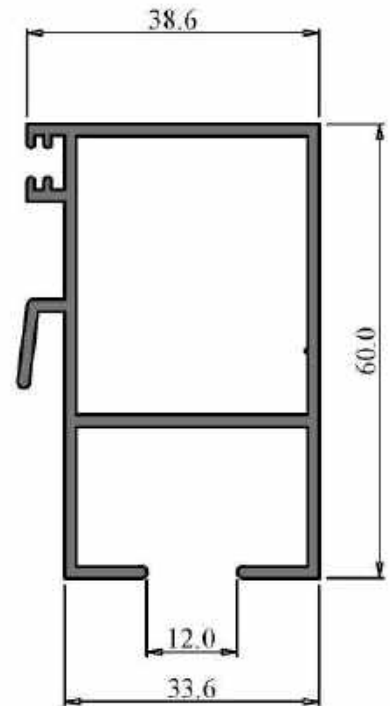


**60034**  
1.297 Kg/mtr  
W.T. -1.60mm

**60035**  
1.047 Kg/mtr  
W.T. -1.20mm

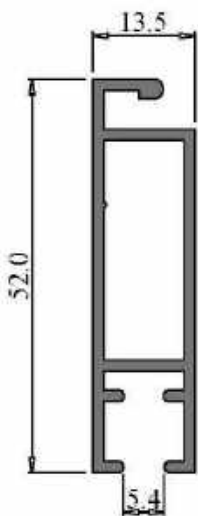


**60141**  
0.739 Kg/mtr  
W.T. -1.00mm

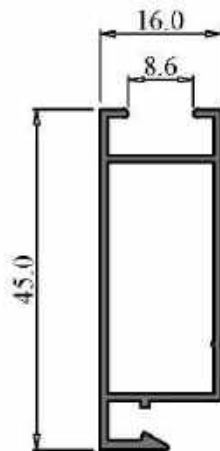


**60036**  
0.954 Kg/mtr  
W.T. -1.55mm

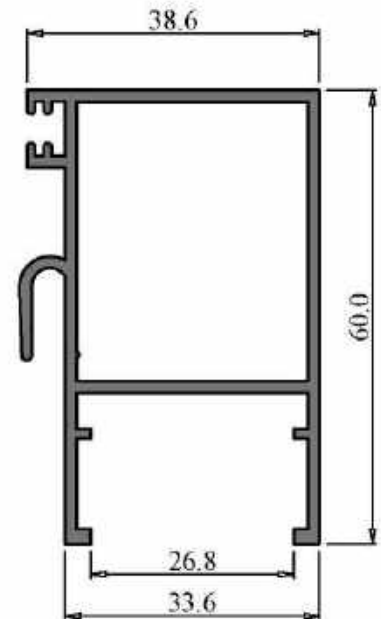
**60037**  
0.766 Kg/mtr  
W.T. -1.20mm



**60040**  
0.559 Kg/mtr  
W.T. -1.50mm

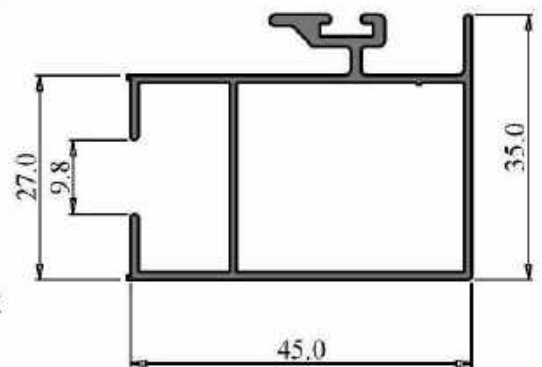
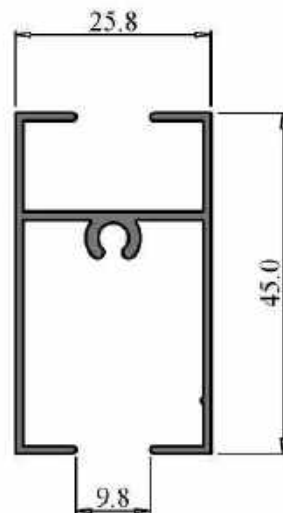
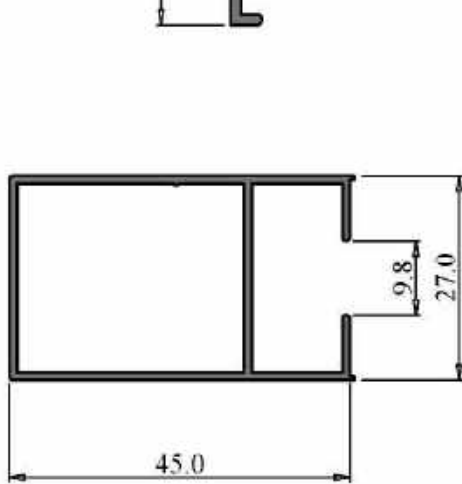
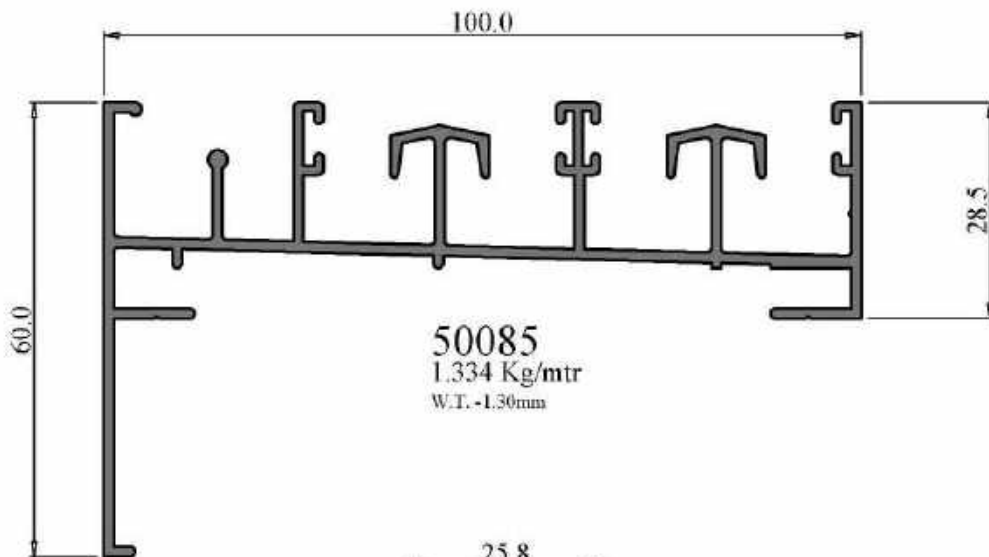
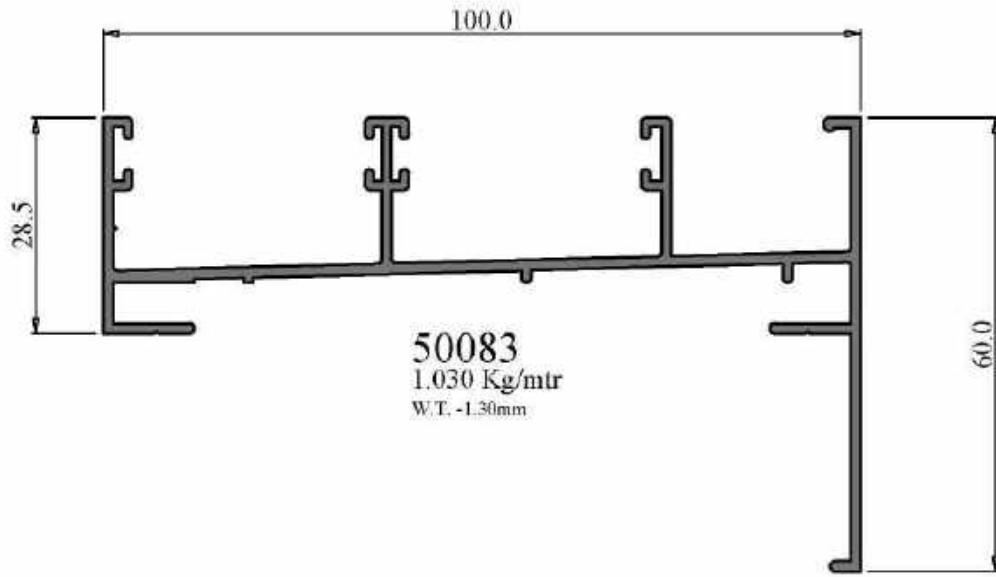


**60140**  
0.348 Kg/mtr  
W.T. -1.00mm



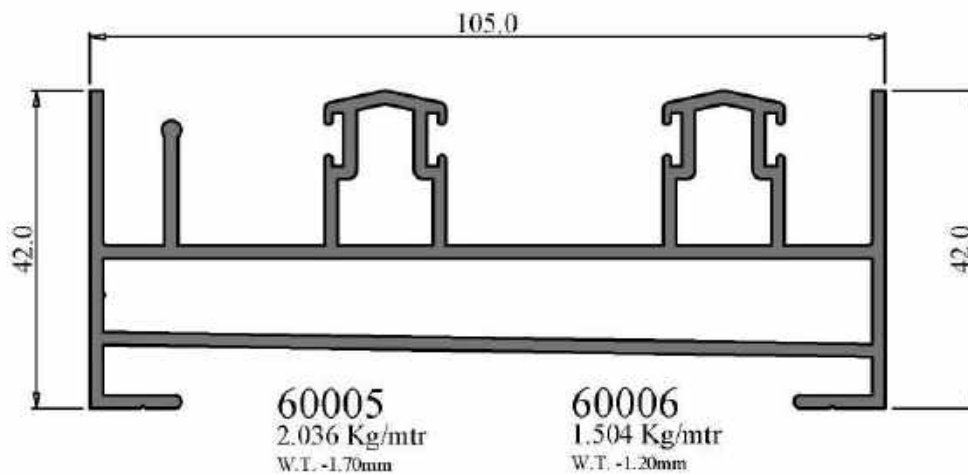
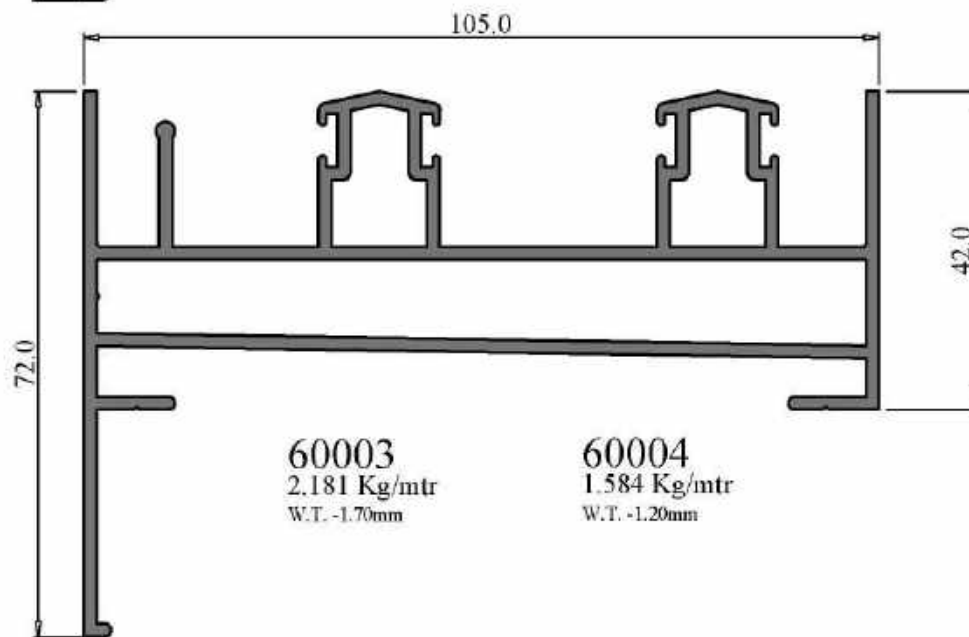
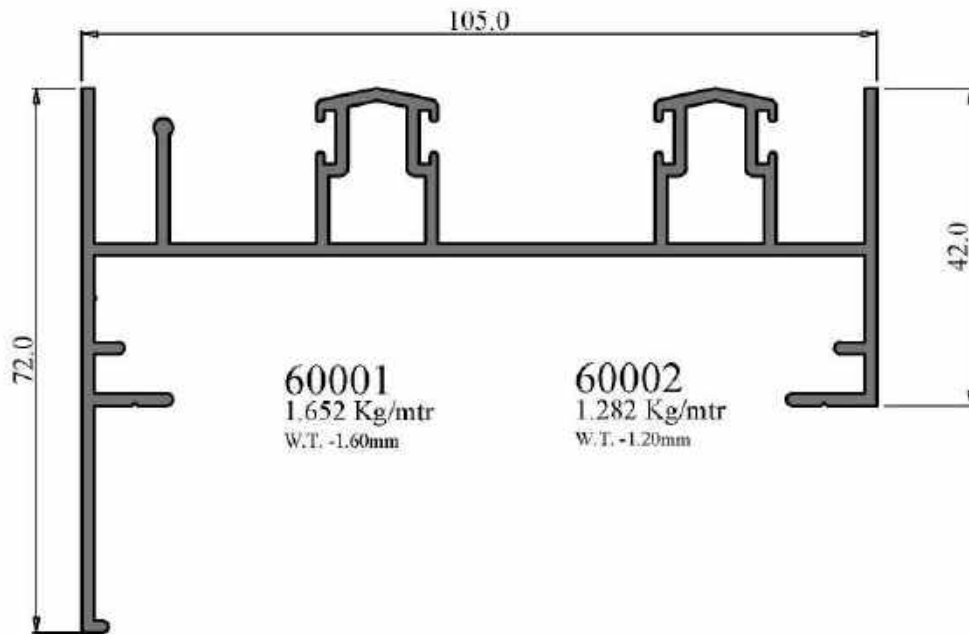
**60038**  
0.915 Kg/mtr  
W.T. -1.55mm

**60039**  
0.750 Kg/mtr  
W.T. -1.25mm

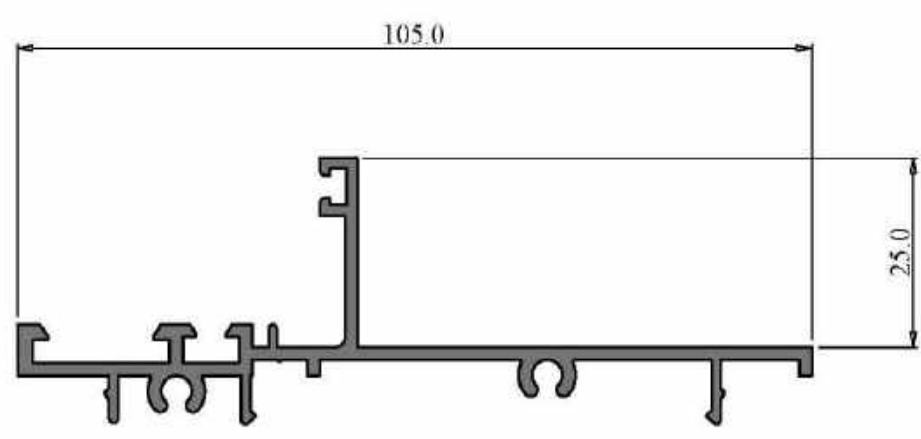
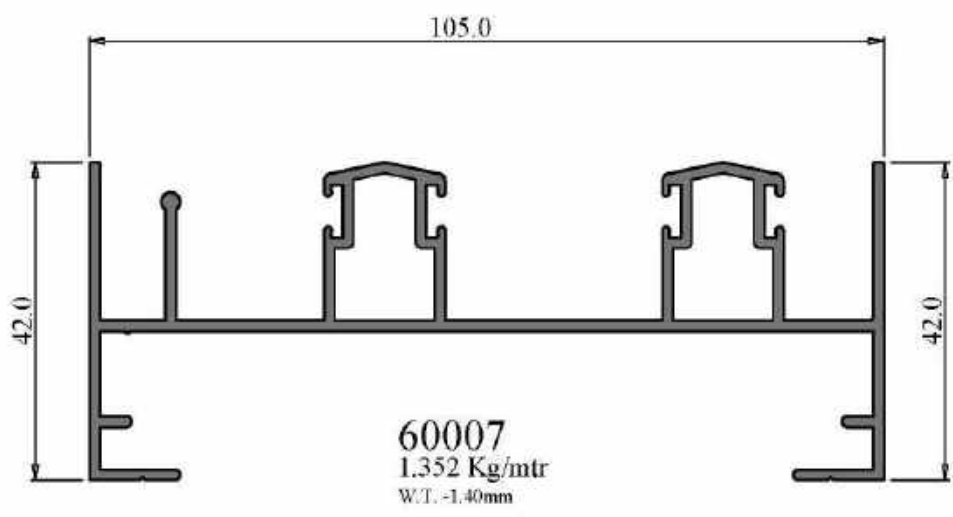


# SLIDING DOORS

## 105 mm SERIES

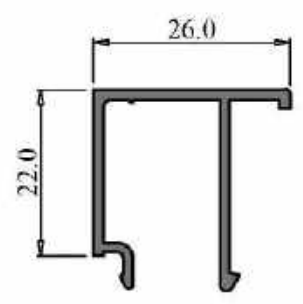


# SLIDING DOORS & WINDOWS 105 MM SERIES

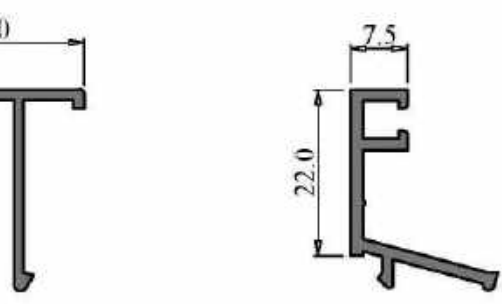


50001  
0.933 Kg/mtr  
W.T. -1.70mm

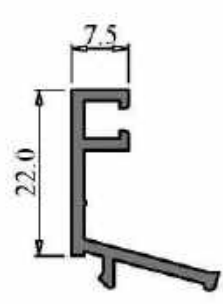
50002  
0.728 Kg/mtr  
W.T. -1.20mm



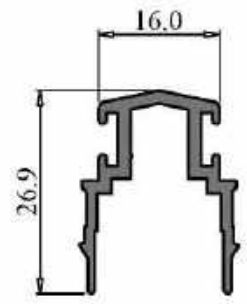
50010  
0.293 Kg/mtr  
W.T. -1.40mm



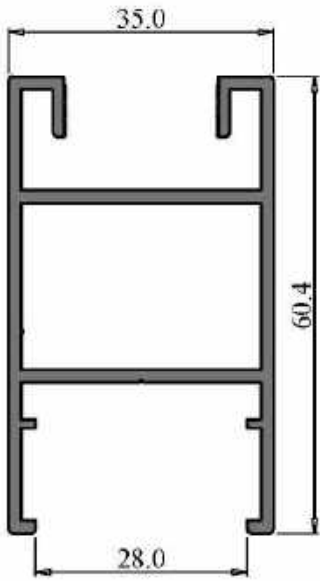
50011  
0.270 Kg/mtr  
W.T. -1.20mm



50012  
0.247 Kg/mtr  
W.T. -1.60mm

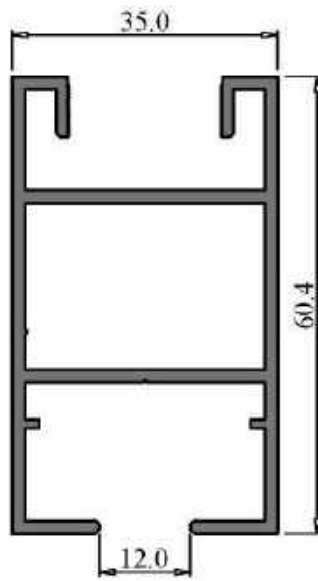


50008  
0.323 Kg/mtr  
W.T. -1.70mm

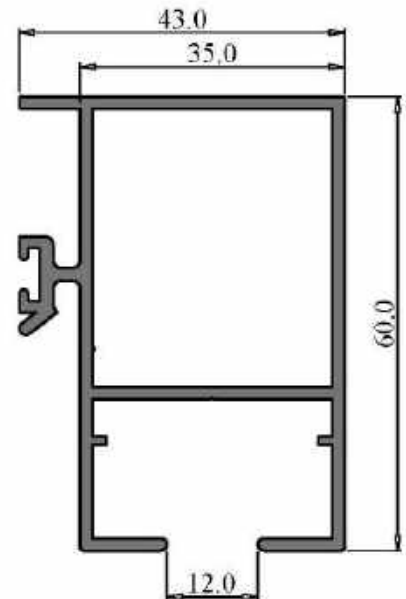


**60008**  
0.976 Kg/mtr  
W.T. -1.70mm

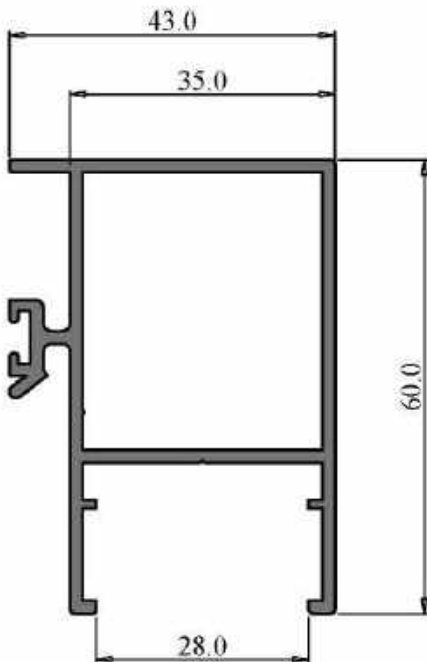
**60010**  
0.717 Kg/mtr  
W.T. -1.20mm



**60009**  
1.048 Kg/mtr  
W.T. -1.70mm

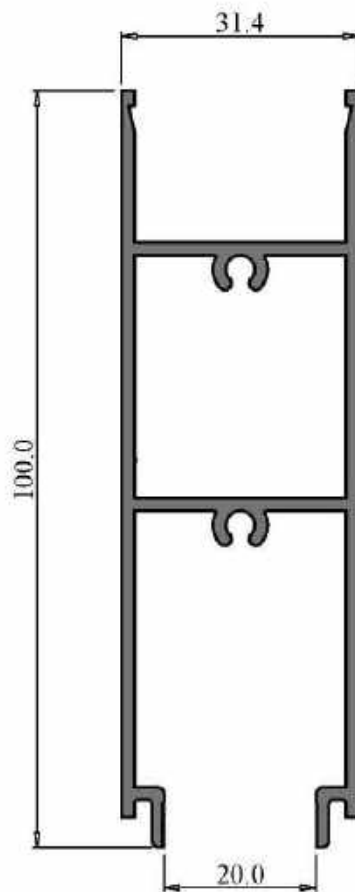


**60012**  
1.066 Kg/mtr  
W.T. -1.65mm



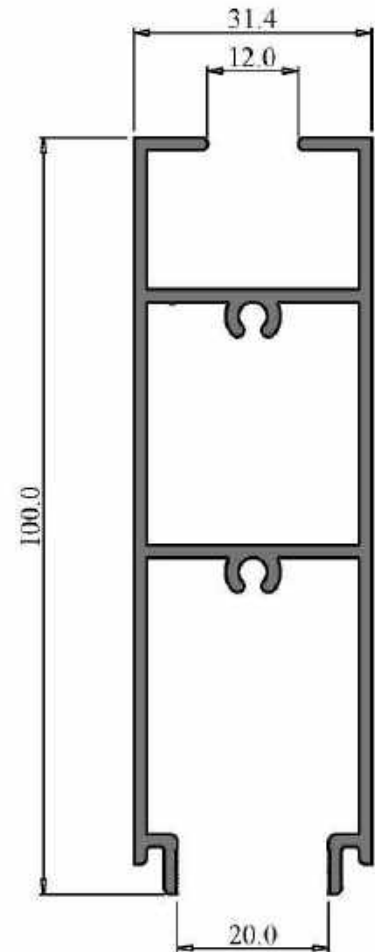
**60011**  
0.999 Kg/mtr  
W.T. -1.65mm

**60013**  
0.758 Kg/mtr  
W.T. -1.20mm



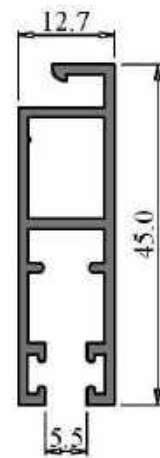
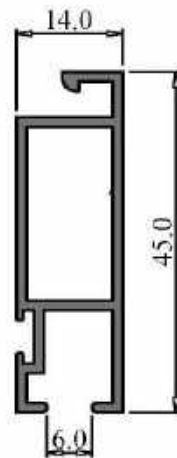
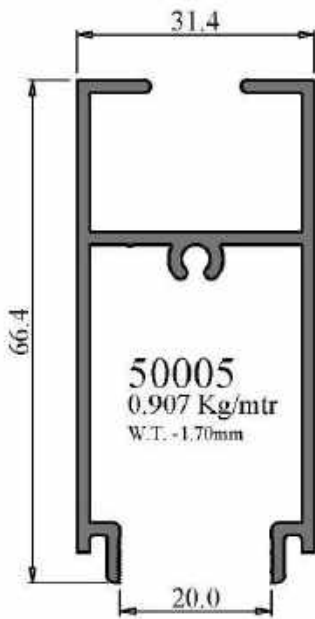
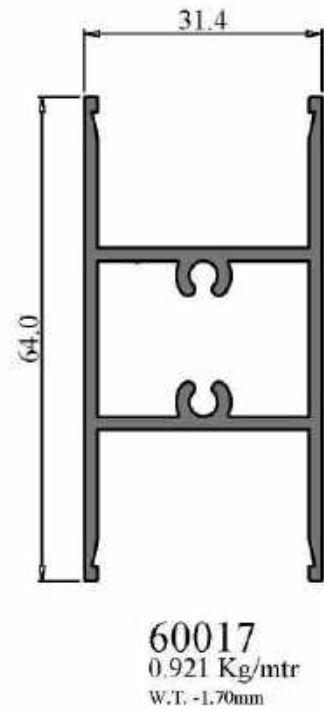
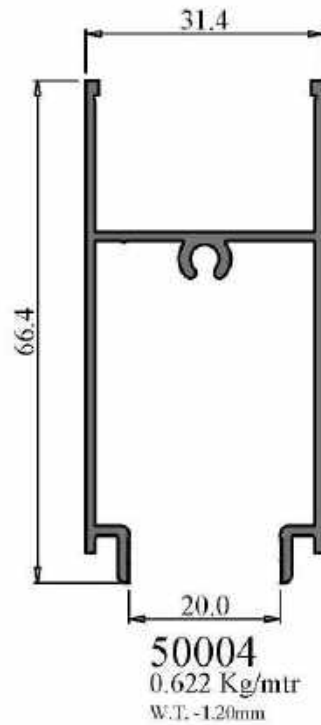
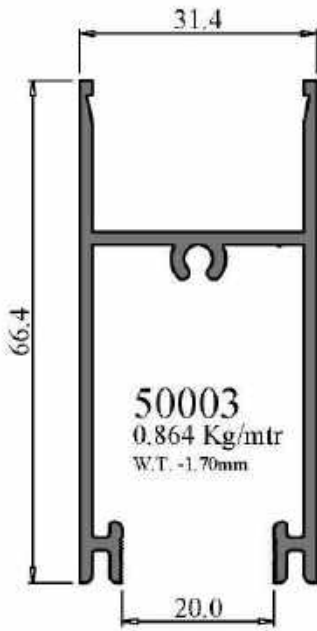
**60014**  
1.310 Kg/mtr  
W.T. -1.70mm

**60016**  
0.994 Kg/mtr  
W.T. -1.20mm



**60015**  
1.388 Kg/mtr  
W.T. -1.70mm

# SLIDING DOORS & WINDOWS 105 MM SERIES

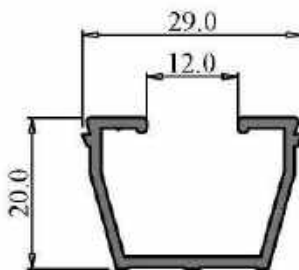


60018  
0.436 Kg/mtr  
W.T. -1.30mm

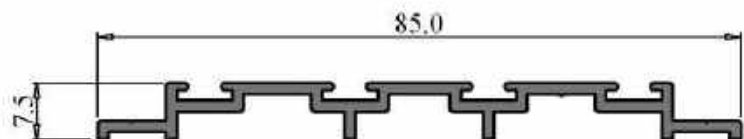
60019  
0.377 Kg/mtr  
W.T. -1.10mm

60020  
0.451 Kg/mtr  
W.T. -1.30mm

60021  
0.397 Kg/mtr  
W.T. -1.10mm



50007  
0.248 Kg/mtr  
W.T. -1.20mm

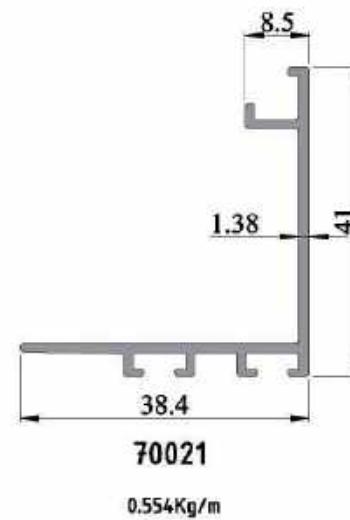
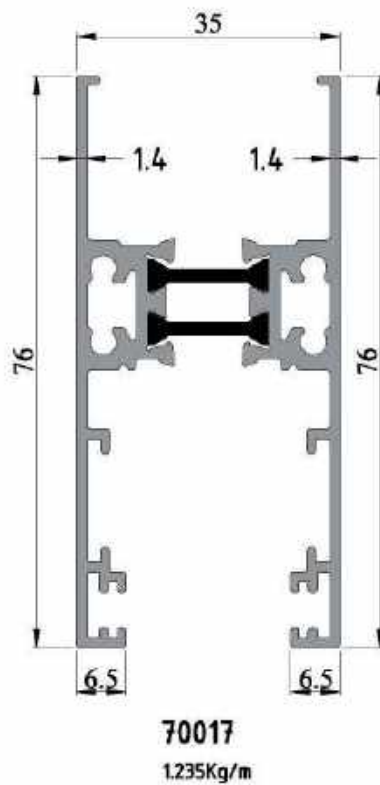
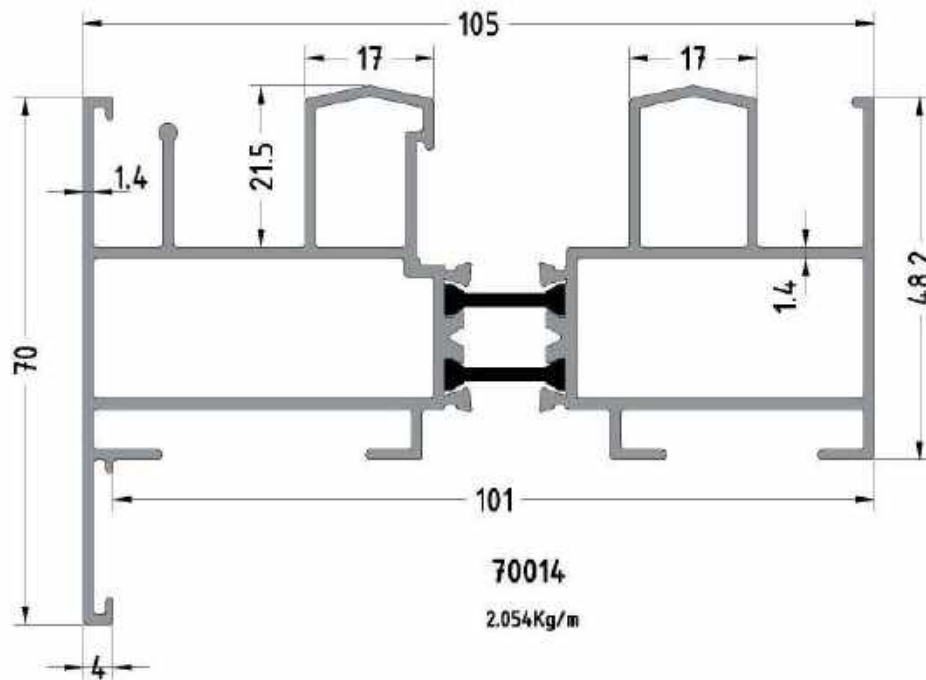




**SLIDING DOORS  
105 mm SERIES  
THERMAL BREAK**



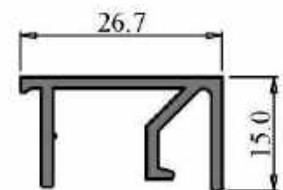
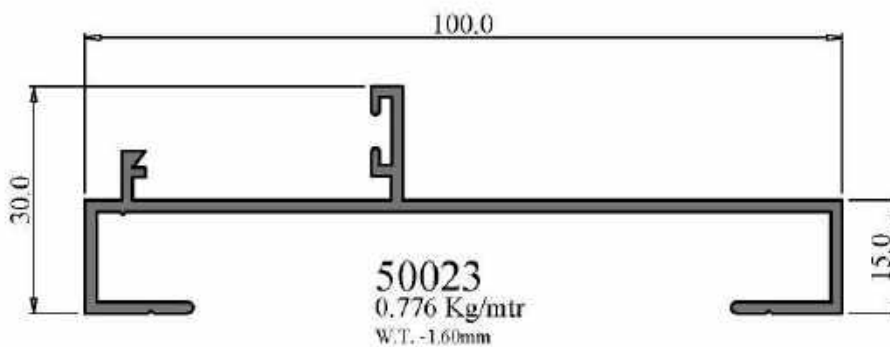
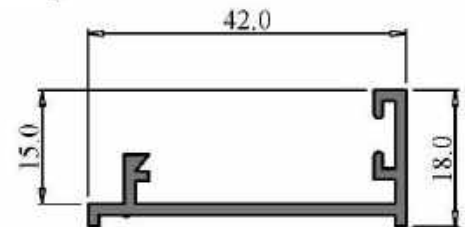
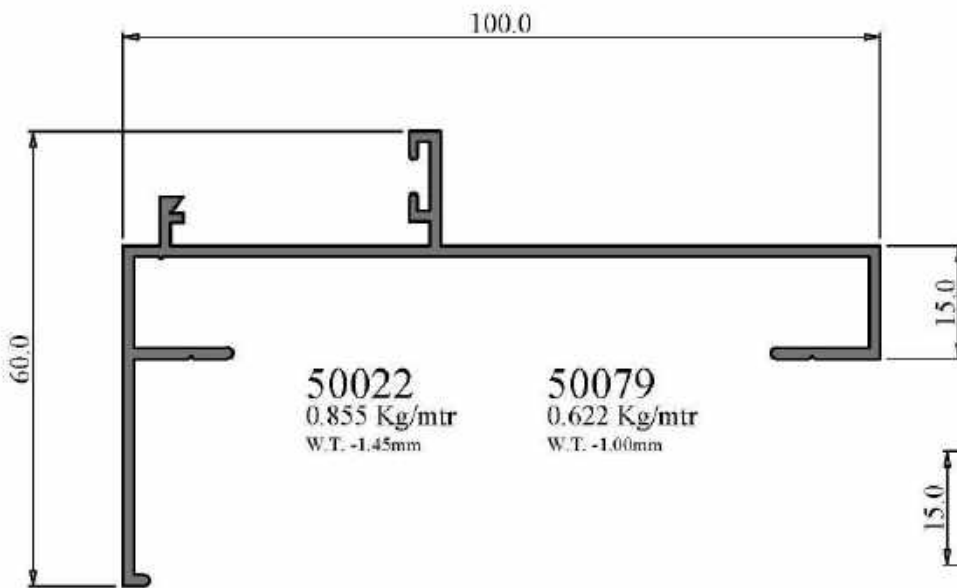
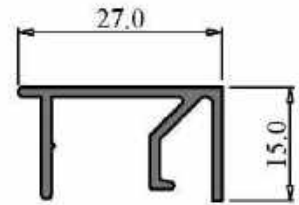
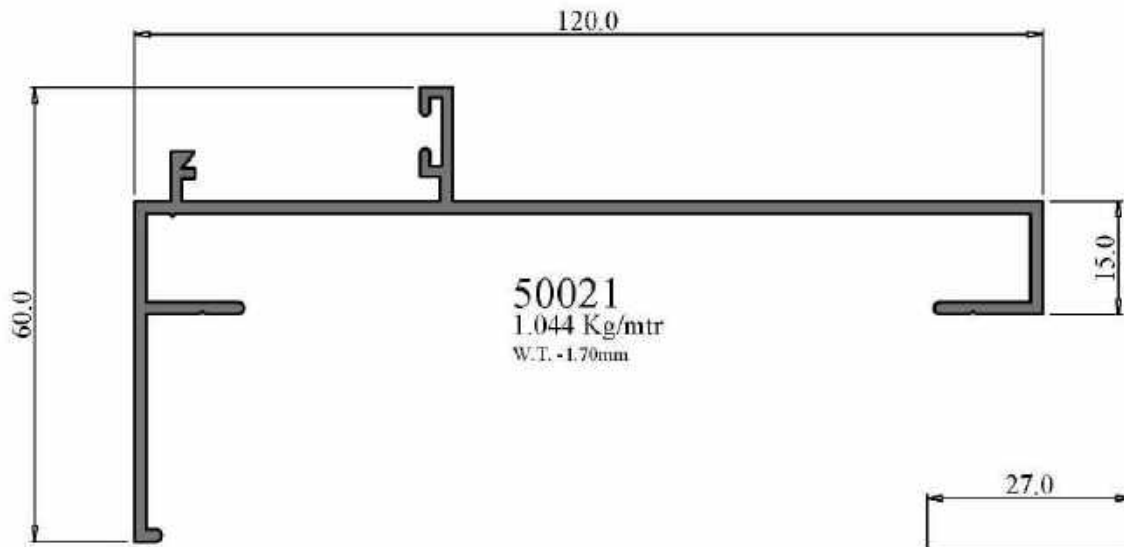
## ALUMINIUM PROFILES - SLIDING 105MM





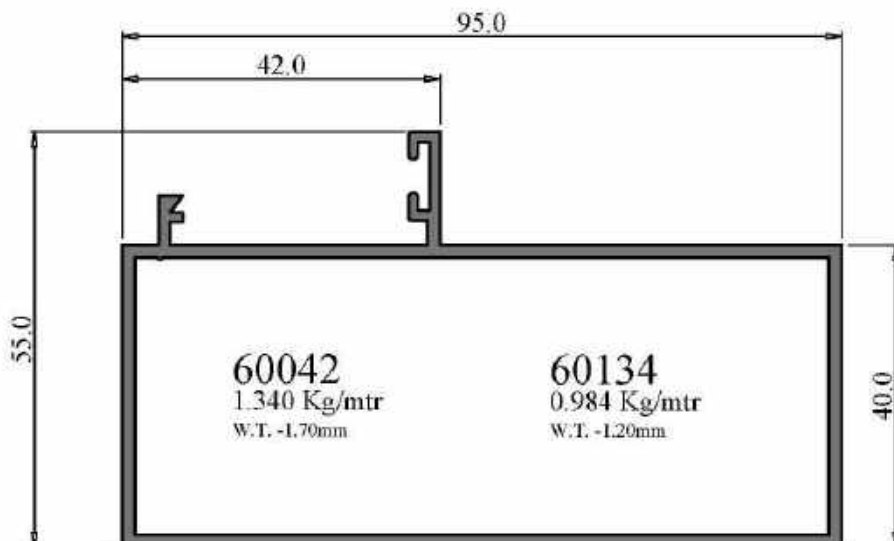
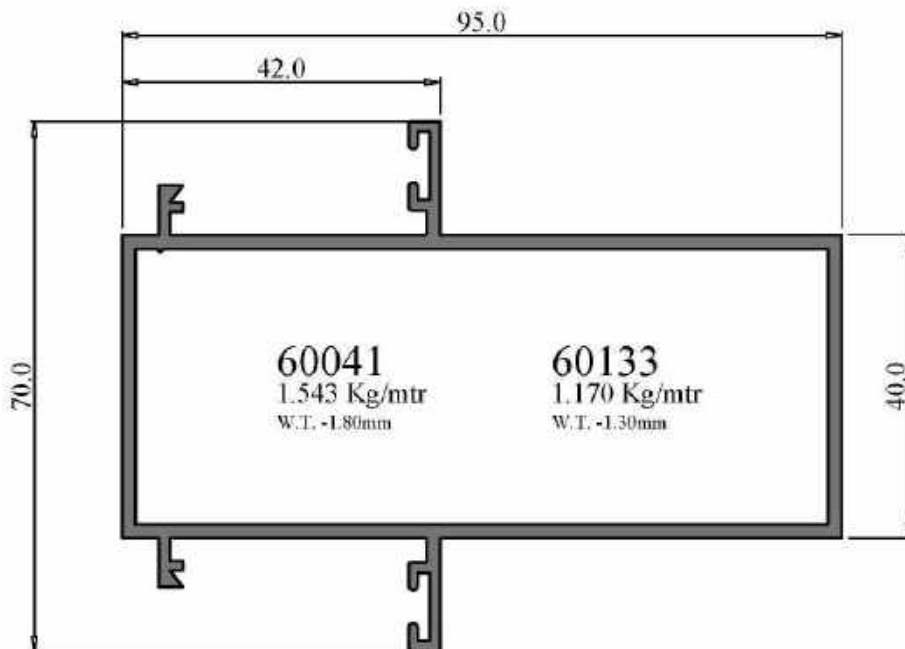
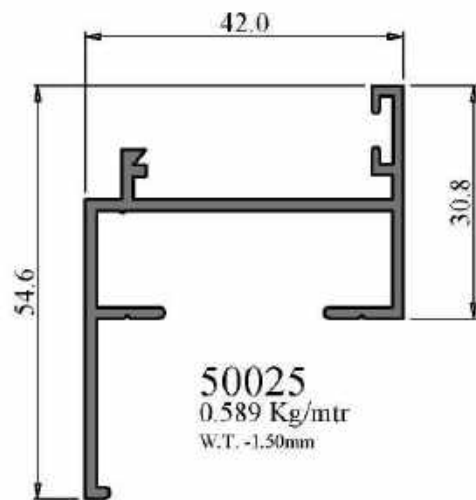
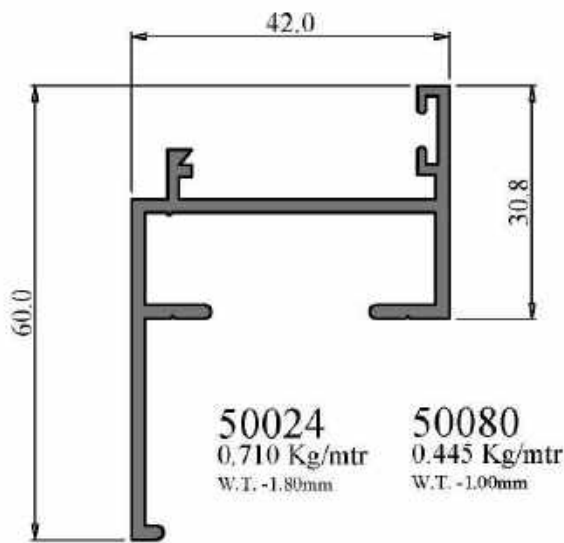
**HINGED  
DOORS & WINDOWS  
42 mm Series**

# HINGED DOORS & WINDOWS 42 MM SERIES

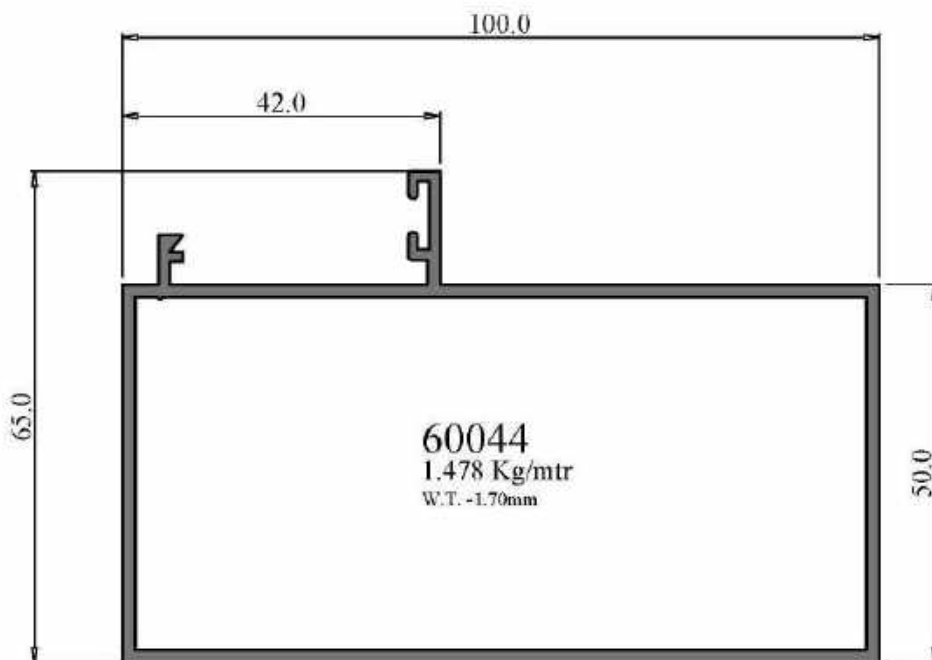
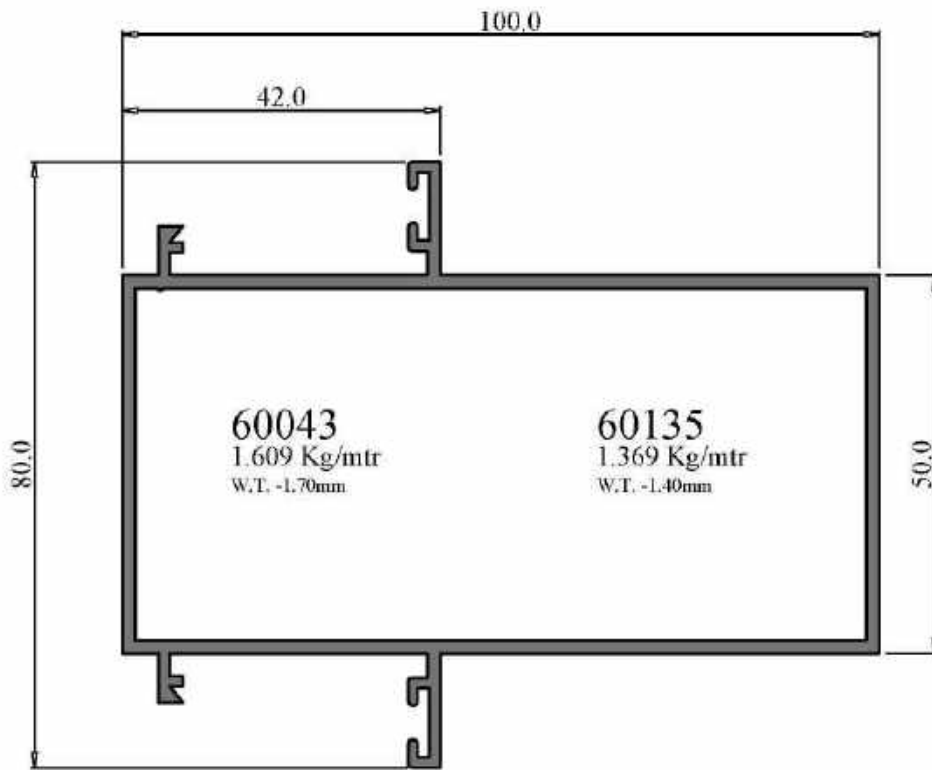


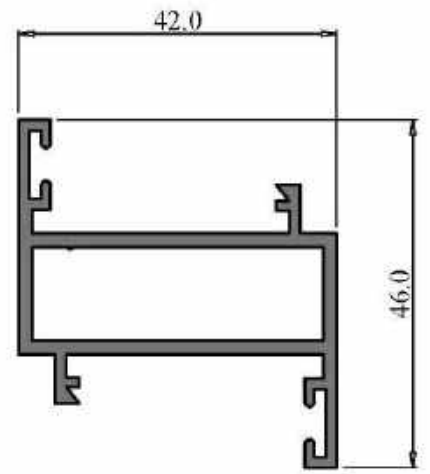
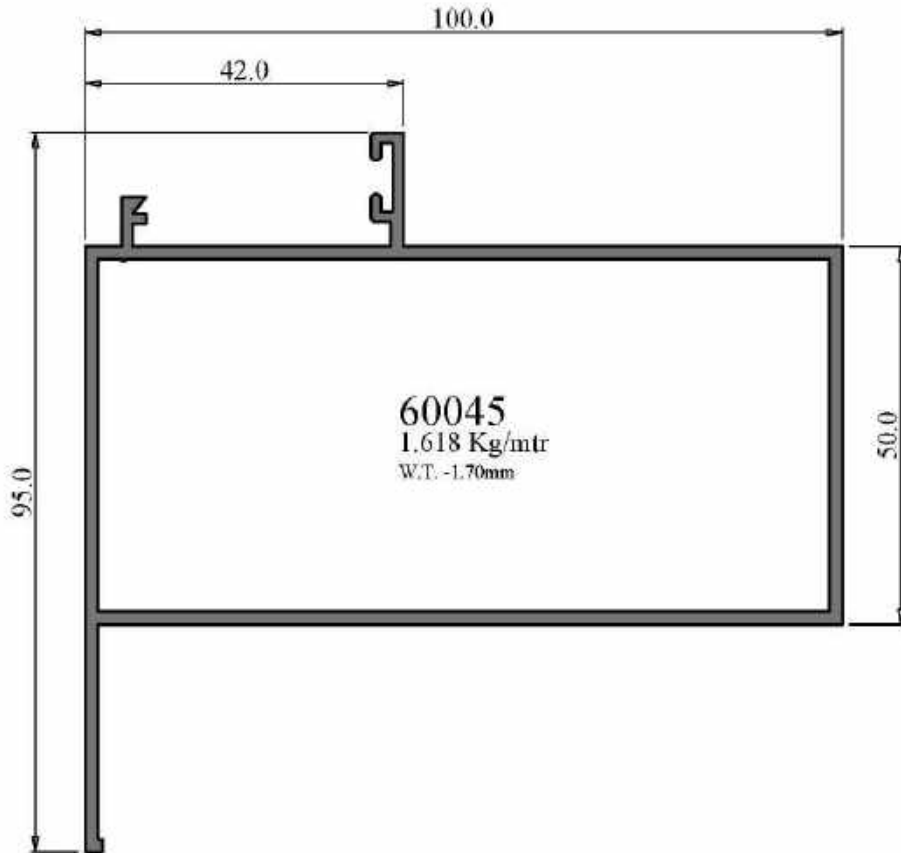


# HINGED DOORS & WINDOWS 42 MM SERIES



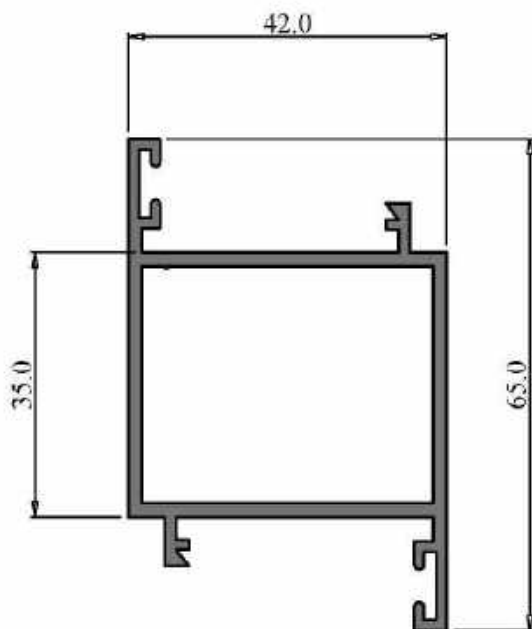
# HINGED DOORS & WINDOWS 42 MM SERIES





60050  
0,795 Kg/mtr  
W.T. -1.80mm

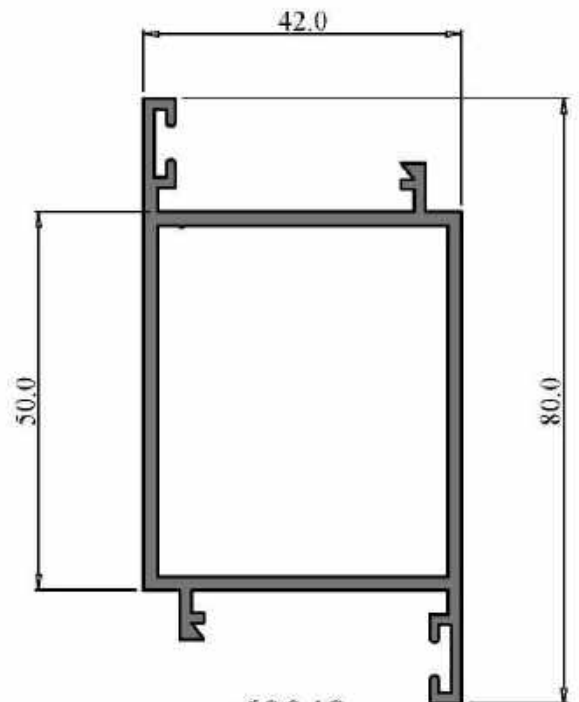
60051  
0,603 Kg/mtr  
W.T. -1.20mm



60046  
0,979 Kg/mtr  
W.T. -1.80mm

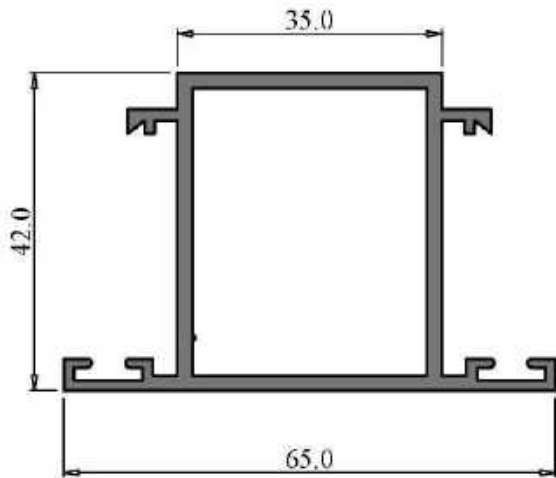
60047  
0,860 Kg/mtr  
W.T. -1.50mm

60048  
0,732 Kg/mtr  
W.T. -1.20mm



60049  
1,125 Kg/mtr  
W.T. -1.80mm

# HINGED DOORS & WINDOWS 42 MM SERIES

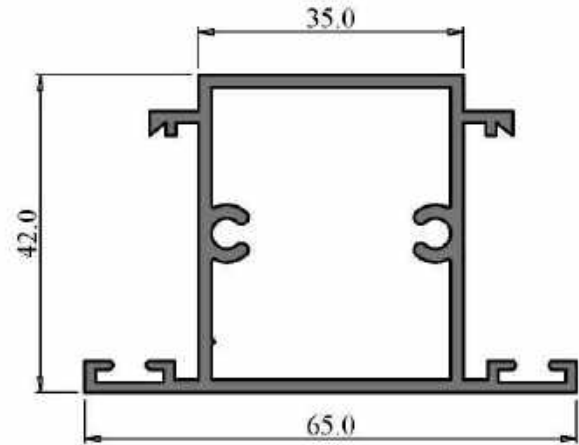


**60052**  
1.058 Kg/mtr  
W.T. -2.00mm

**60053**  
0.979 Kg/mtr  
W.T. -1.80mm

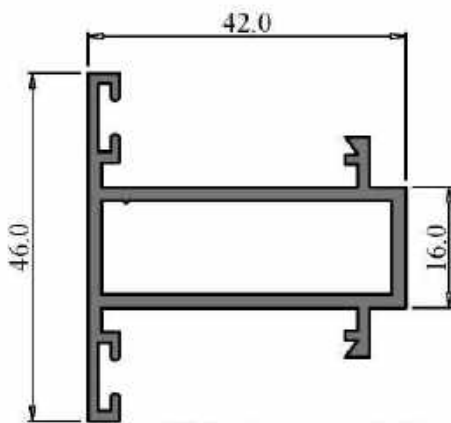
**20095**  
0.855 Kg/mtr  
W.T. -1.50mm

**60054**  
0.772 Kg/mtr  
W.T. -1.30mm



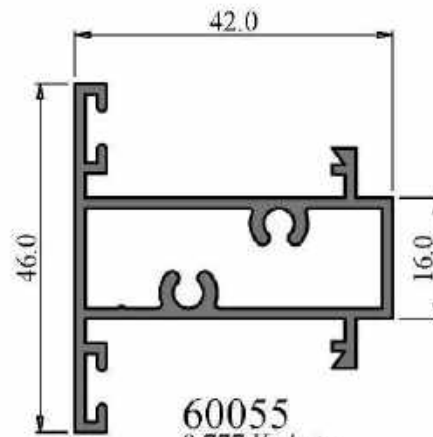
**60058**  
1.040 Kg/mtr  
W.T. -1.70mm

**60059**  
0.880 Kg/mtr  
W.T. -1.30mm

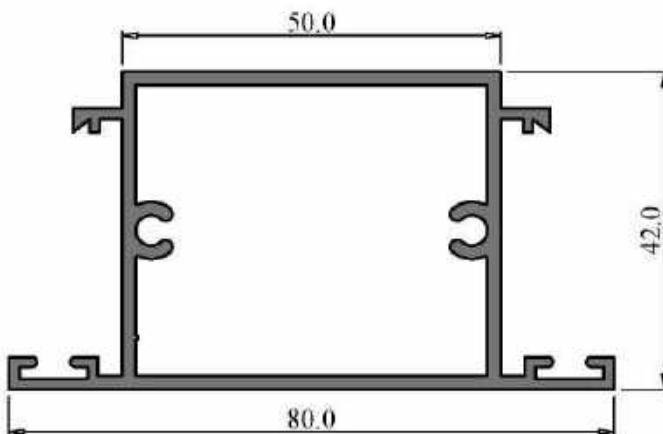


**60056**  
0.795 Kg/mtr  
W.T. -1.80mm

**60057**  
0.602 Kg/mtr  
W.T. -1.20mm

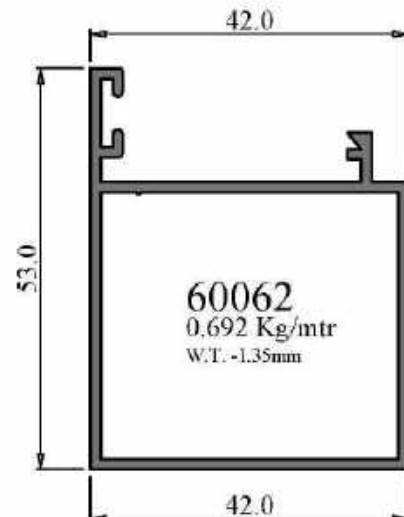


**60055**  
0.777 Kg/mtr  
W.T. -1.40mm

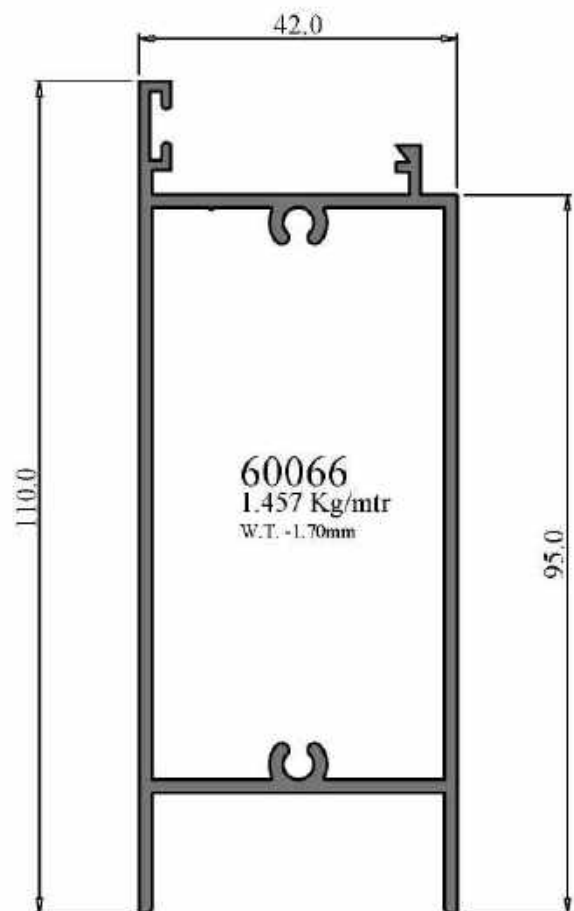
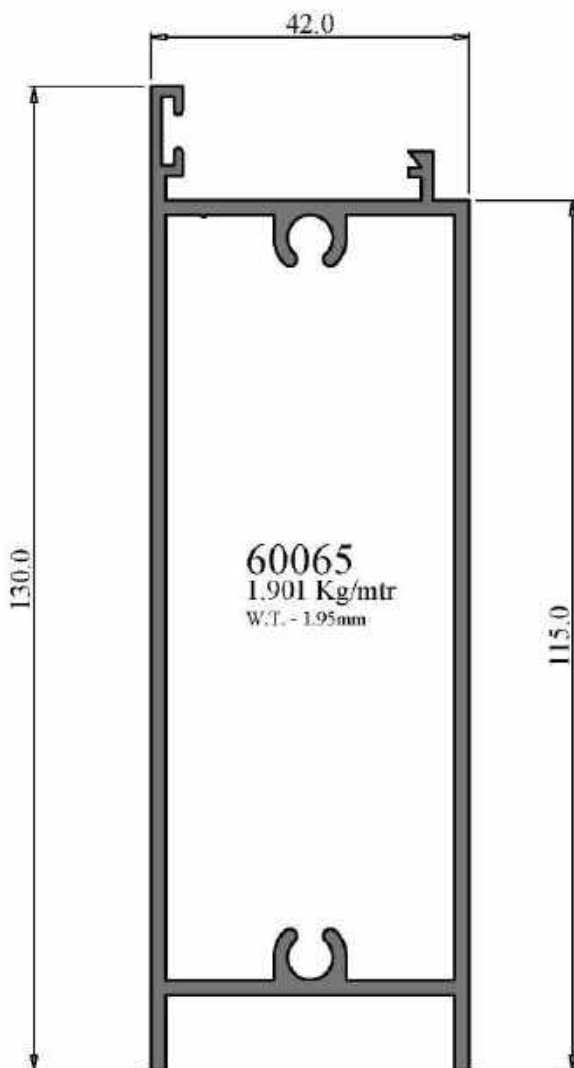
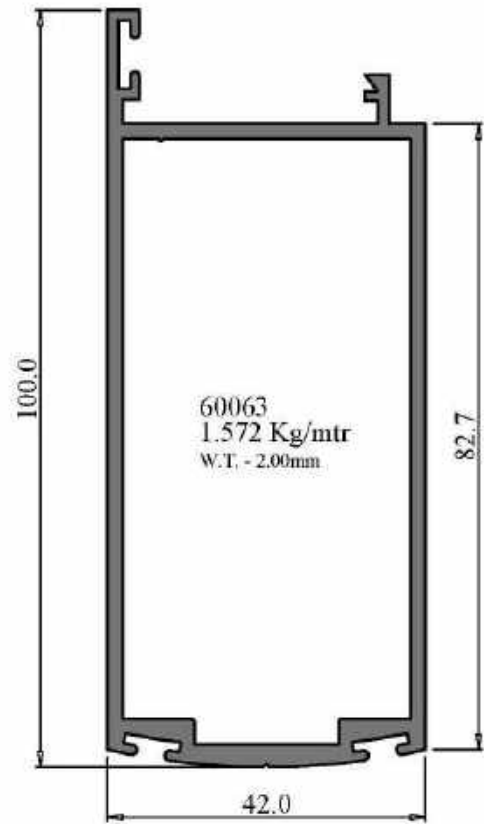
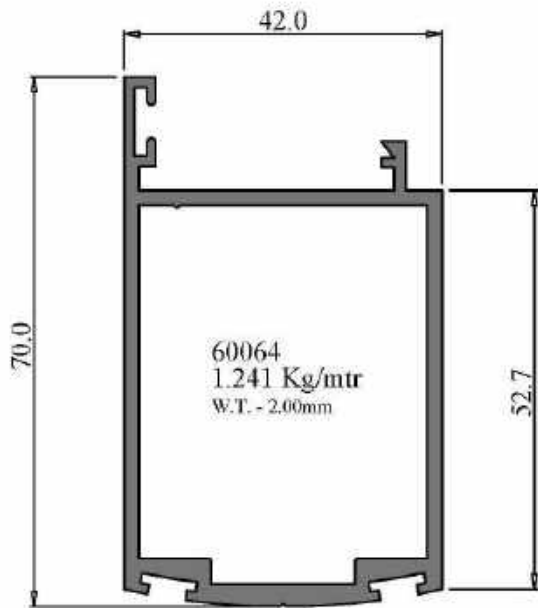


**60060**  
1.225 Kg/mtr  
W.T. -1.80mm

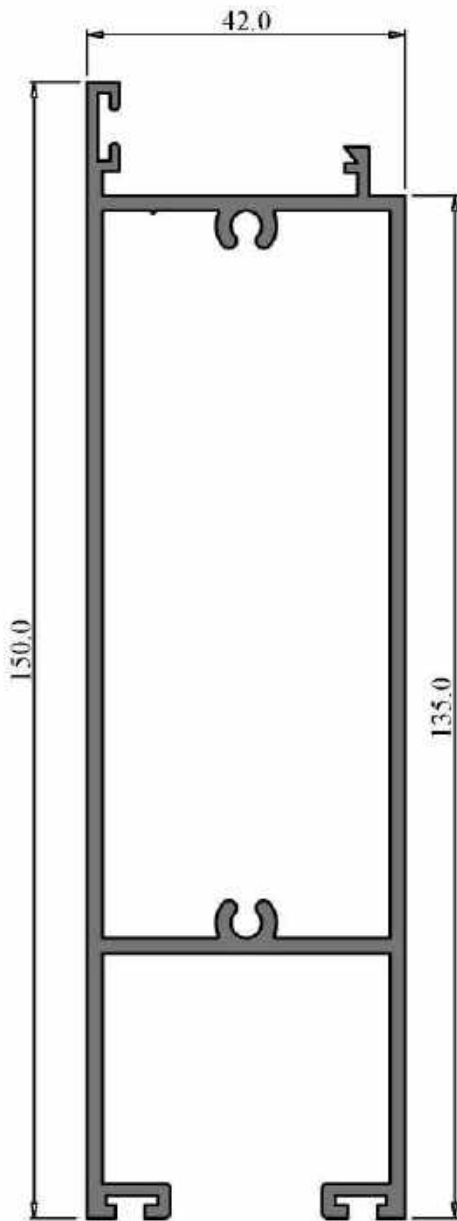
**60061**  
0.988 Kg/mtr  
W.T. -1.30mm



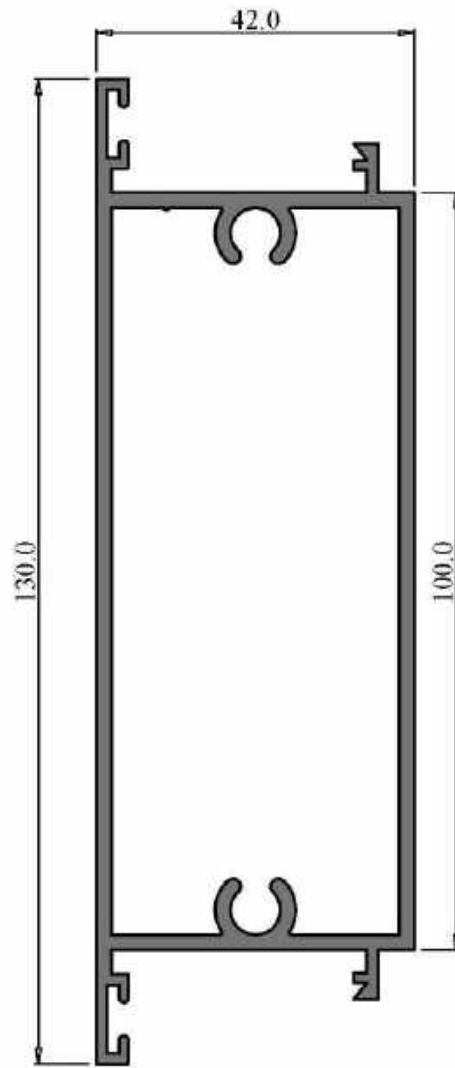
**60062**  
0.692 Kg/mtr  
W.T. -1.35mm



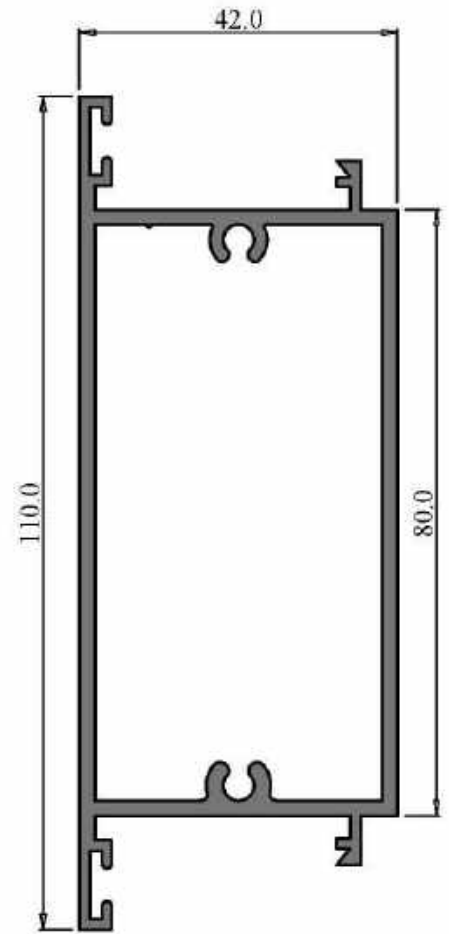




60067  
2.254Kg/mtr  
W.T. - 2.00mm



60069  
1.936 Kg/mtr  
W.T. - 2.00mm

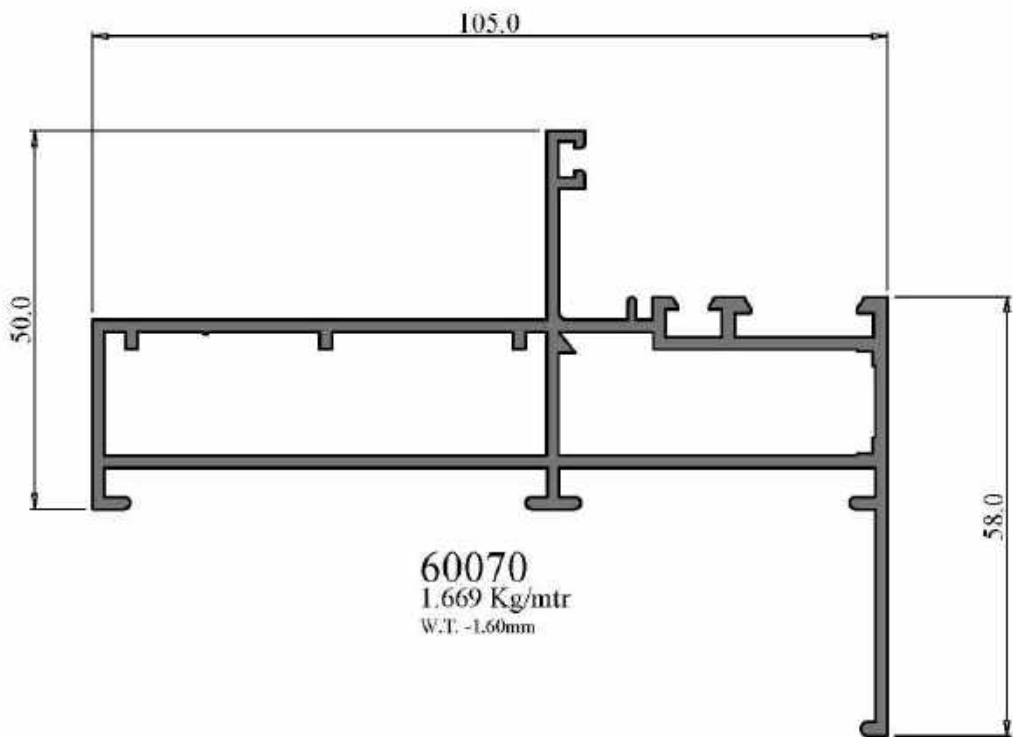
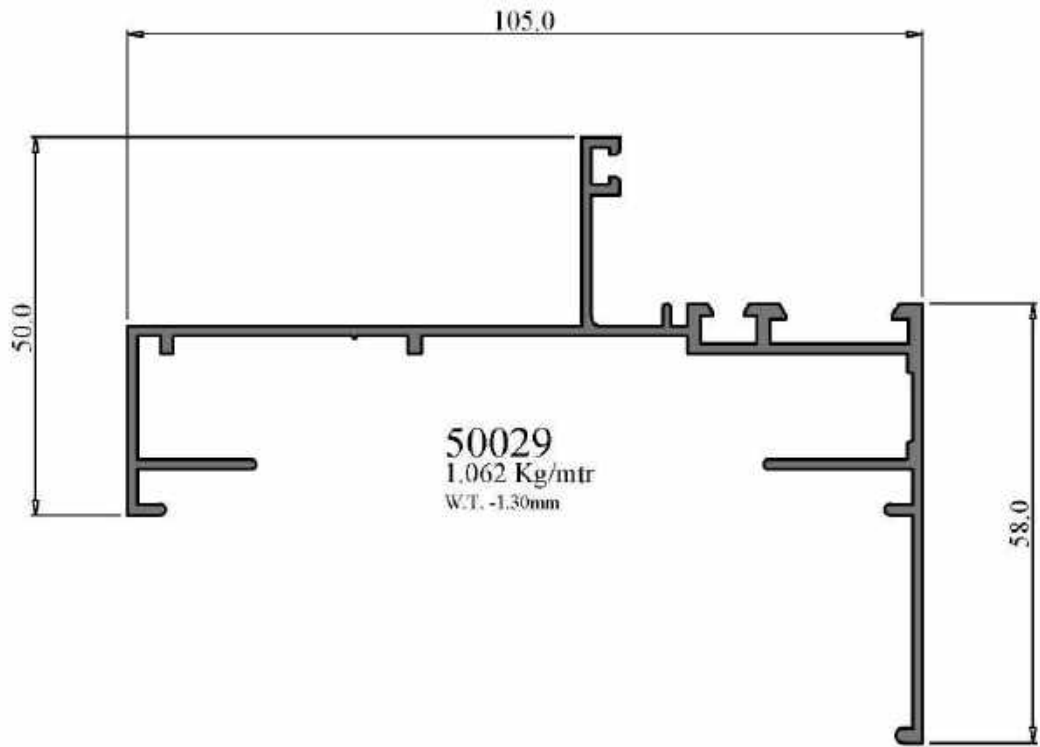


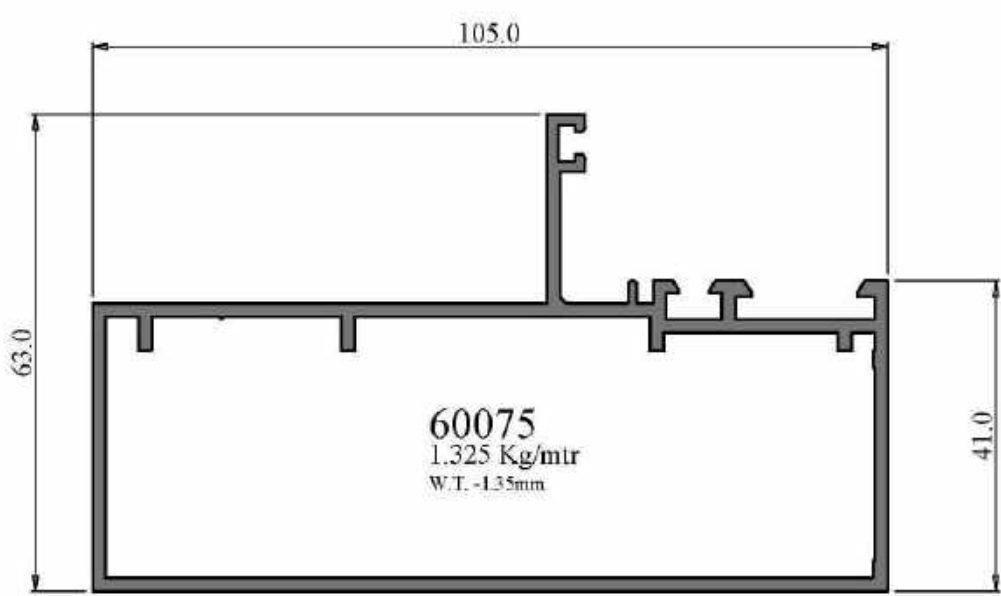
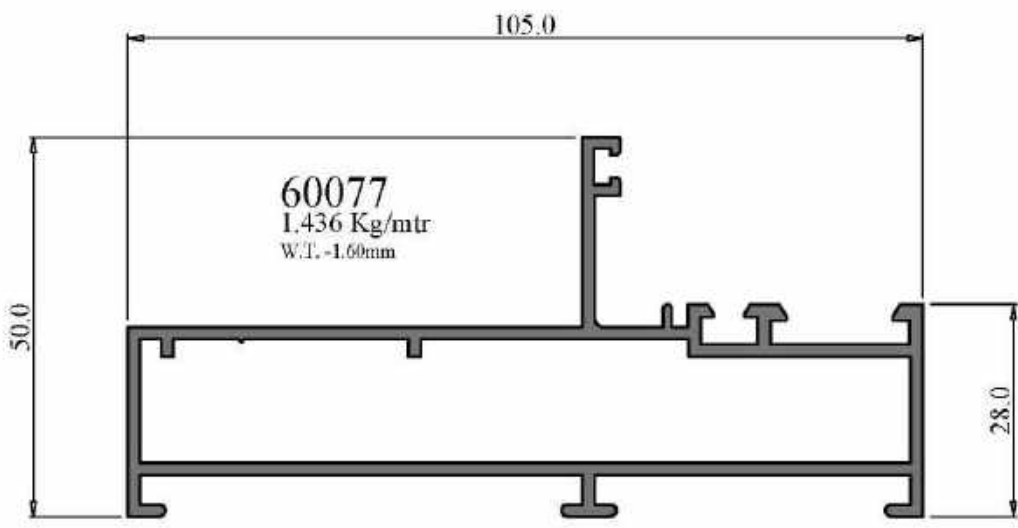
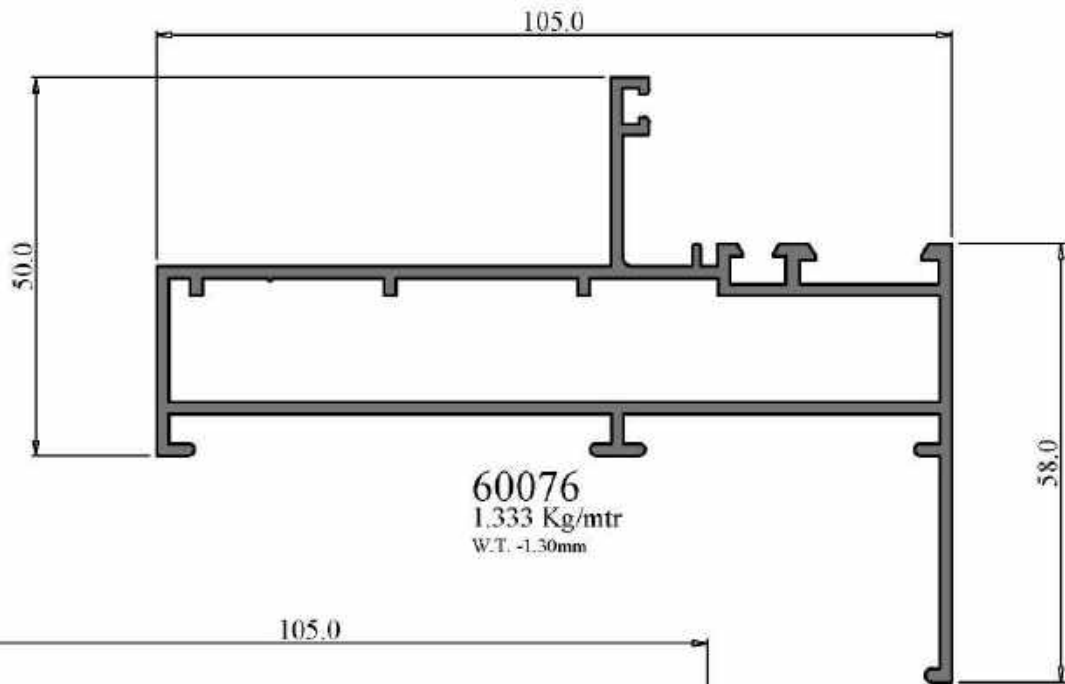
60068  
1.659 Kg/mtr  
W.T. - 2.00mm

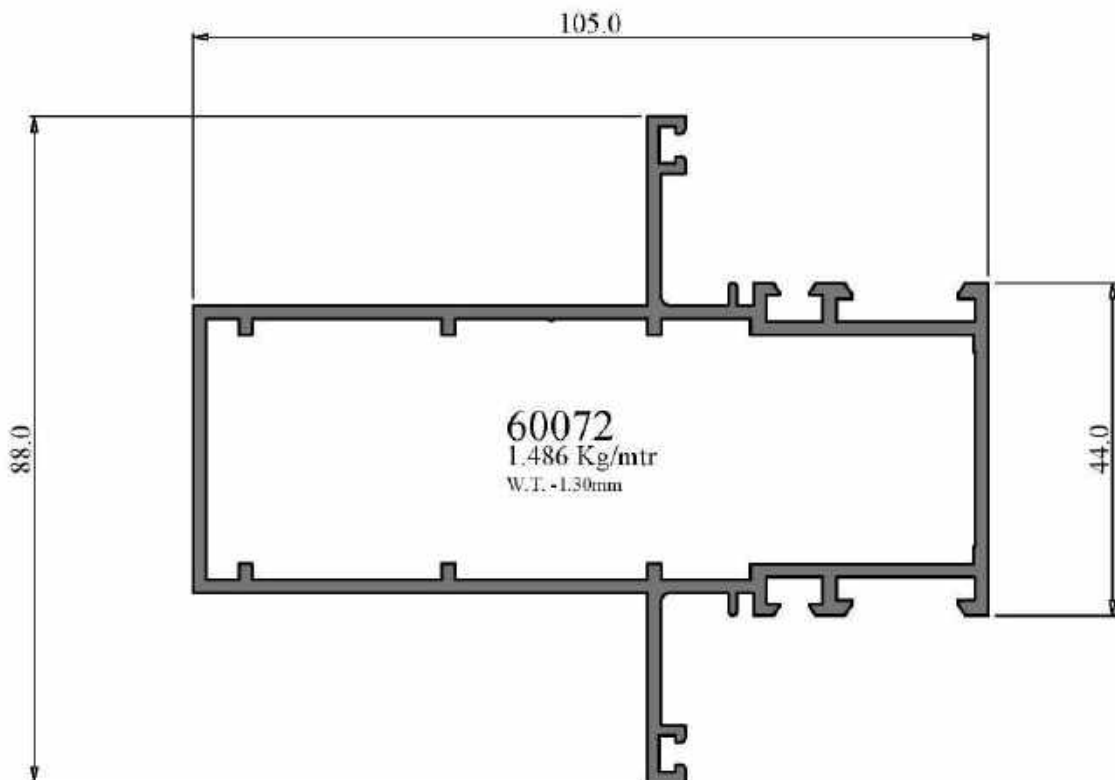
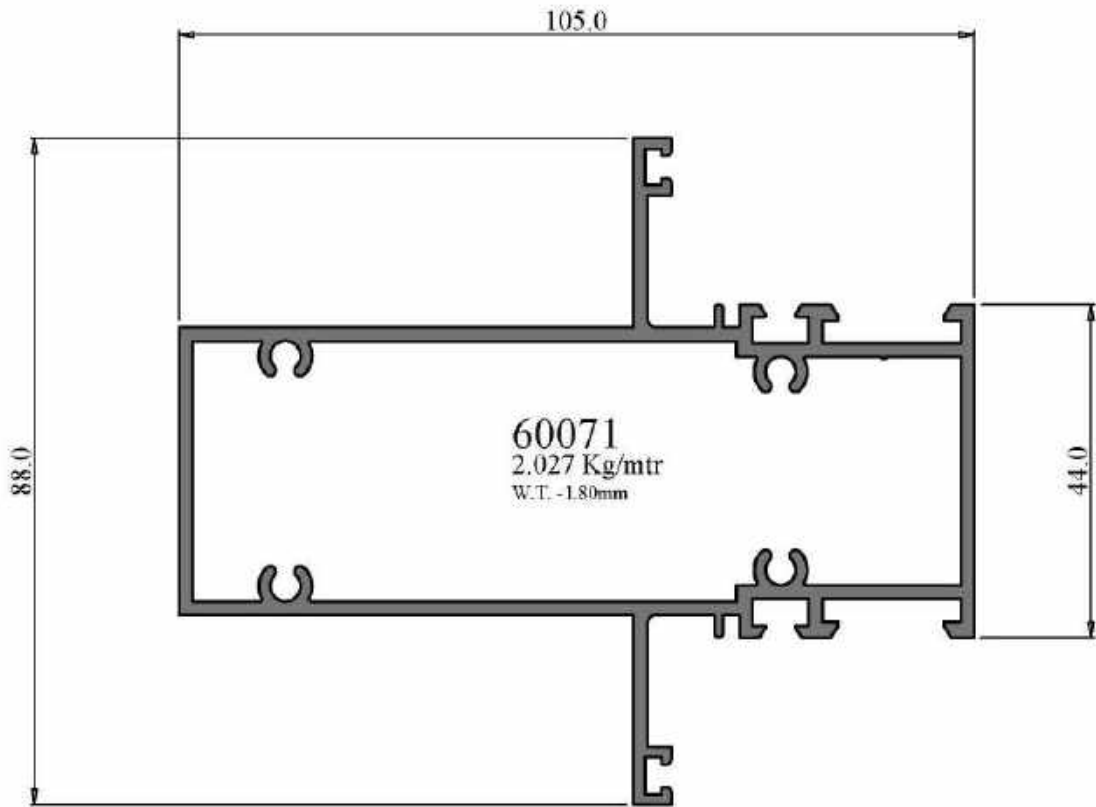


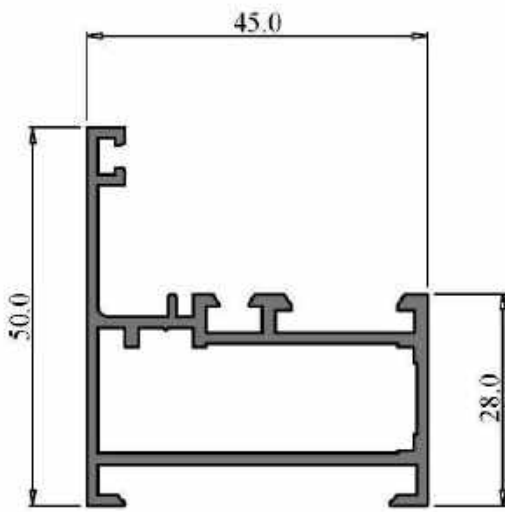
**HINGED  
DOORS & WINDOWS  
45 mm Series**

# HINGED DOORS & WINDOWS 45 MM SERIES

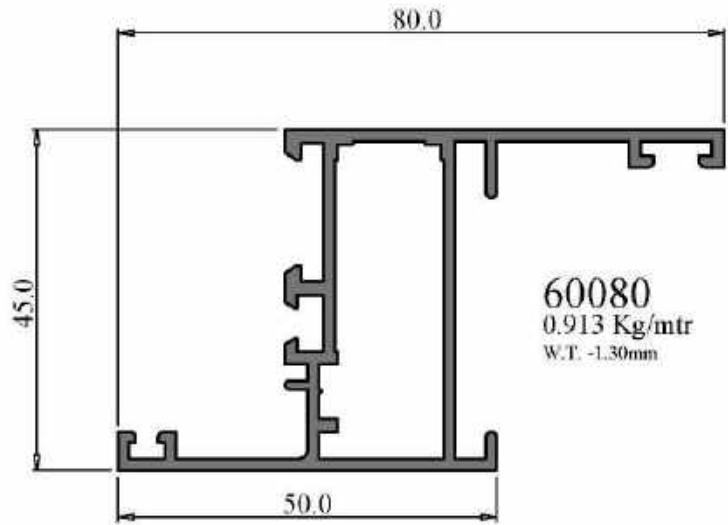




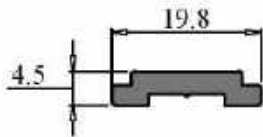




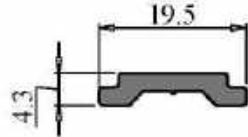
**60079**  
0.801 Kg/mtr  
W.T. - 1.40mm



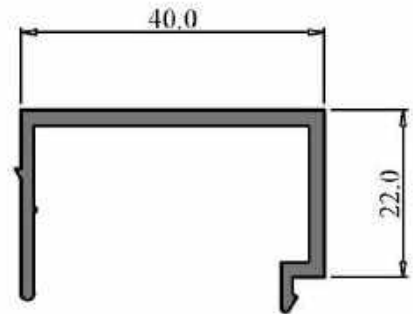
**60080**  
0.913 Kg/mtr  
W.T. - 1.30mm



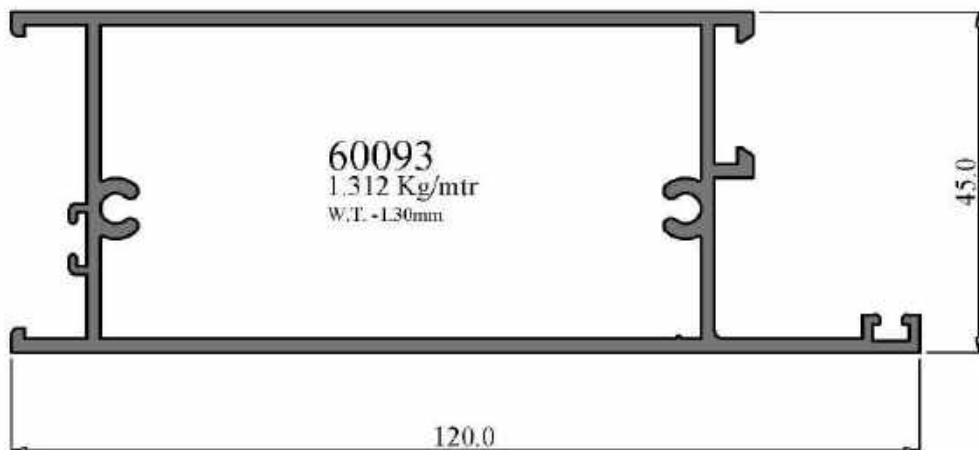
**50033**  
0.174 Kg/mtr  
W.T. - 2.70mm



**50034**  
0.151 Kg/mtr  
W.T. - 2.40mm

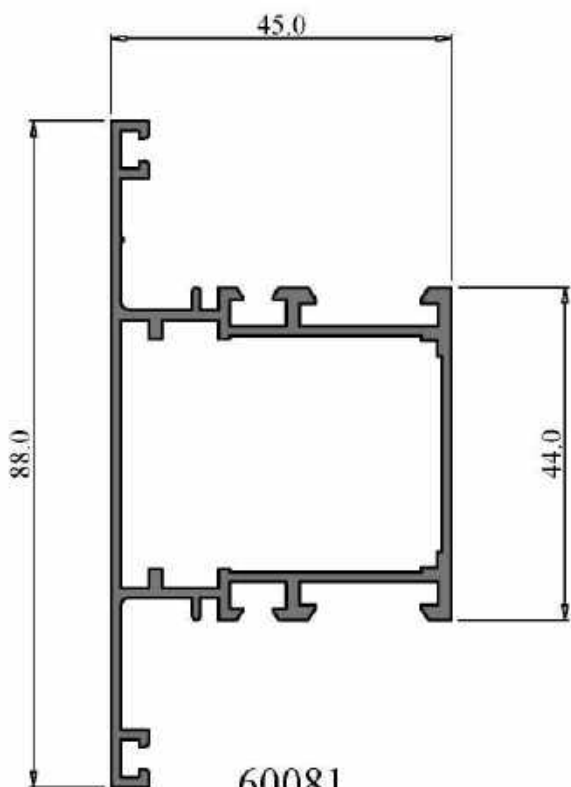


**50031**  
0.468 Kg/mtr  
W.T. - 2.00mm

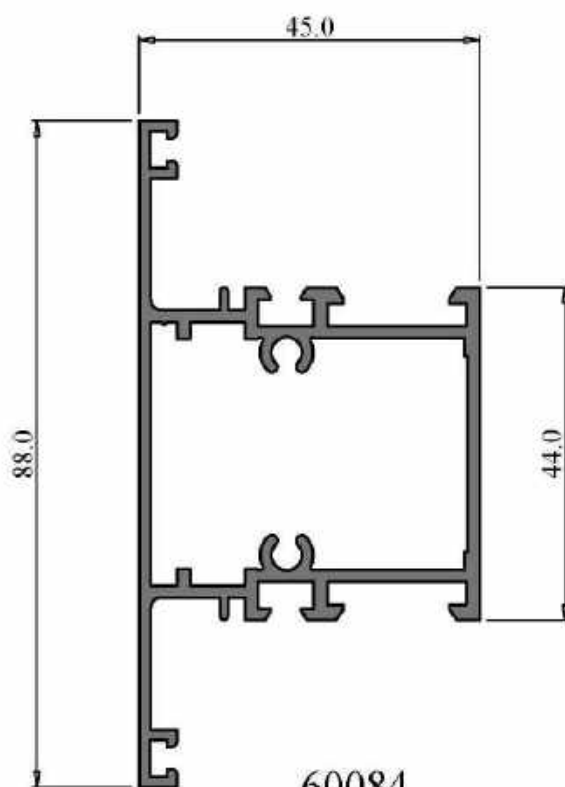


**60093**  
1.312 Kg/mtr  
W.T. - 1.30mm

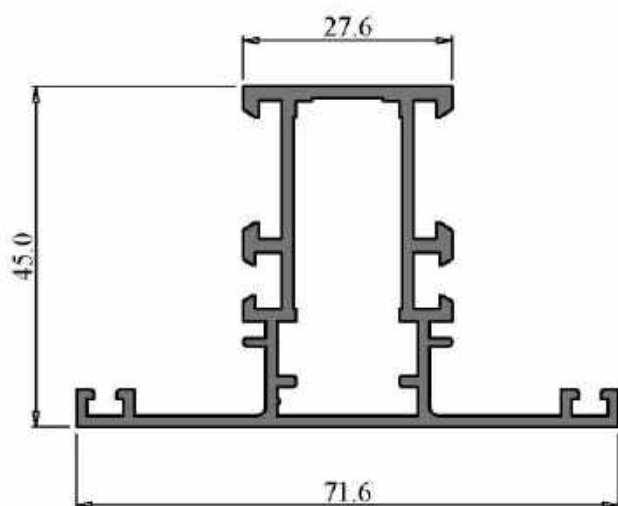
# HINGED DOORS & WINDOWS 45 MM SERIES



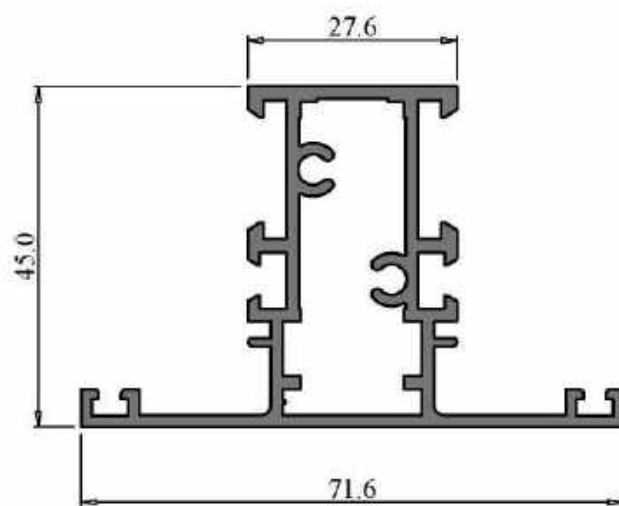
**60081**  
1.057 Kg/mtr  
W.T. -1.30mm



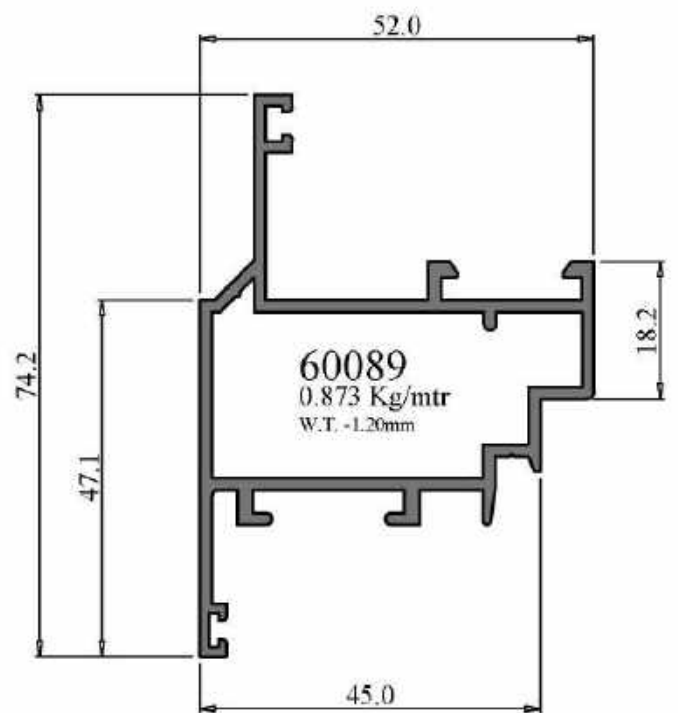
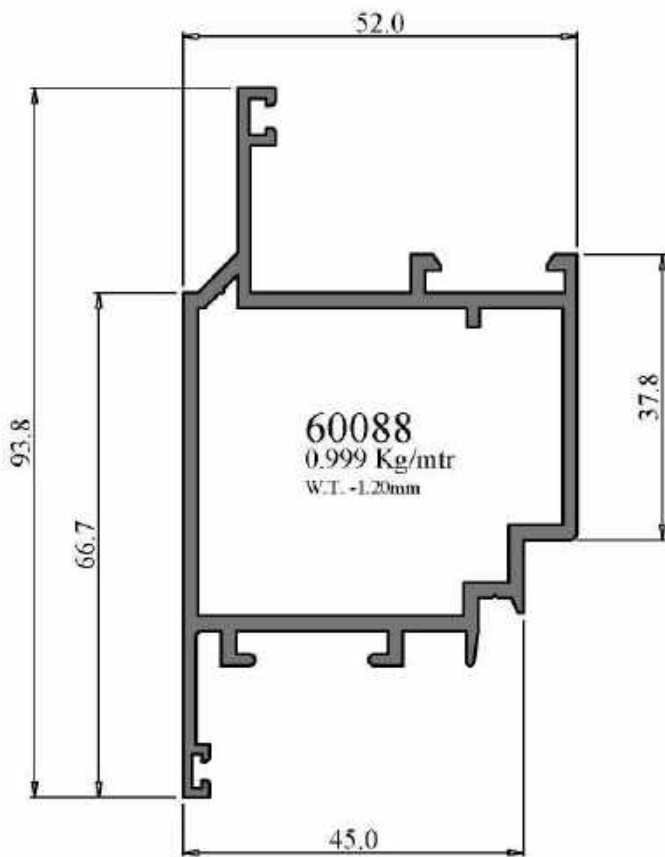
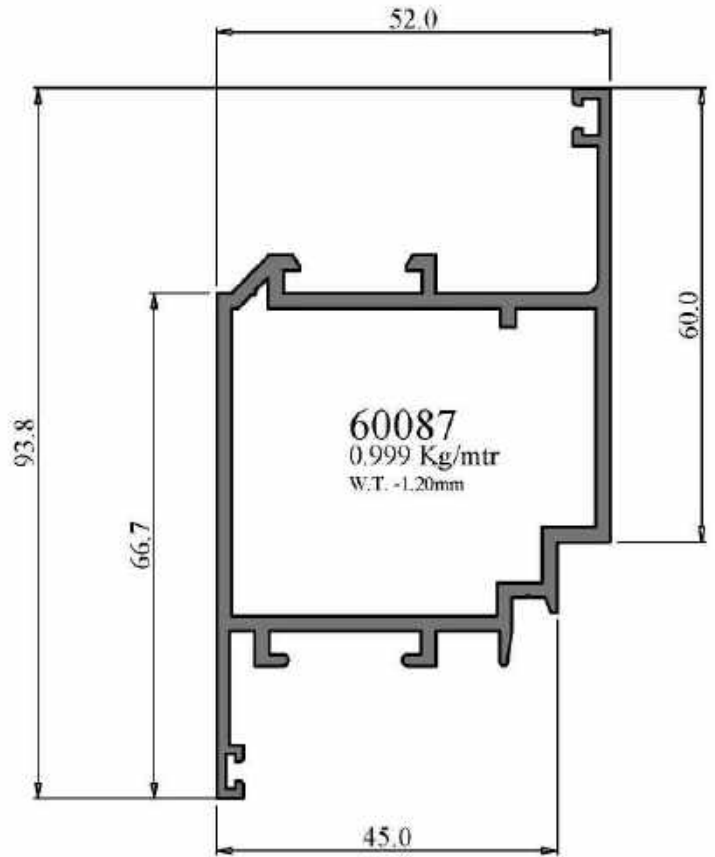
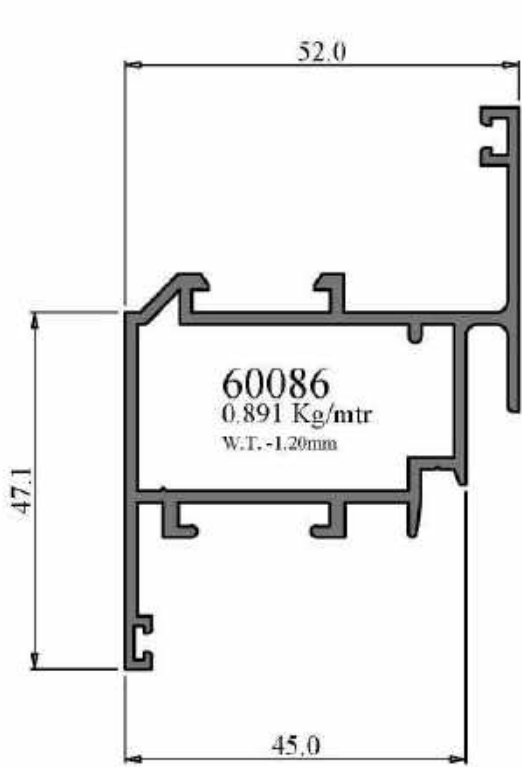
**60084**  
1.284 Kg/mtr  
W.T. -1.60mm



**60082**  
0.894 Kg/mtr  
W.T. -1.20mm

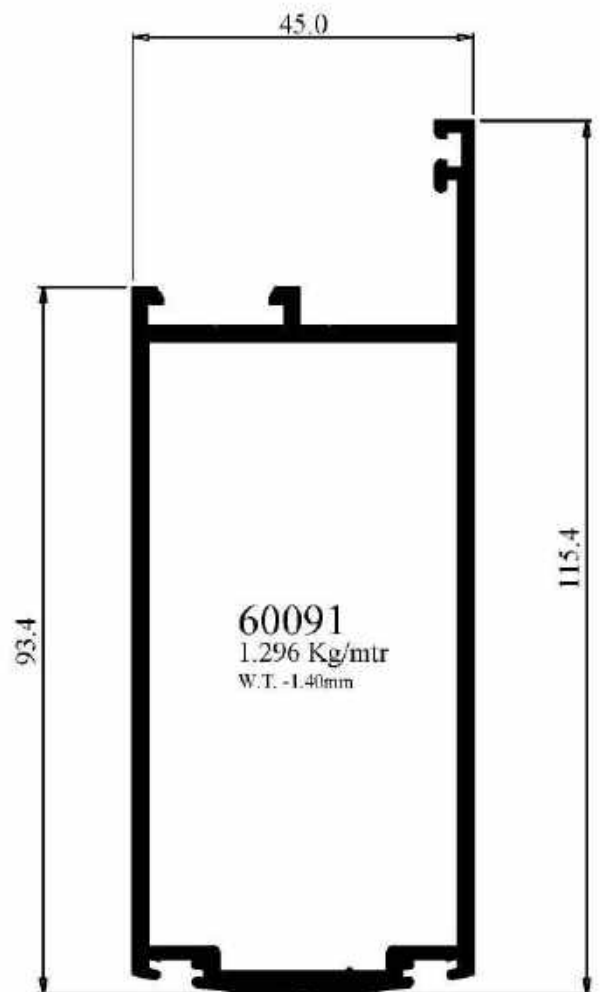
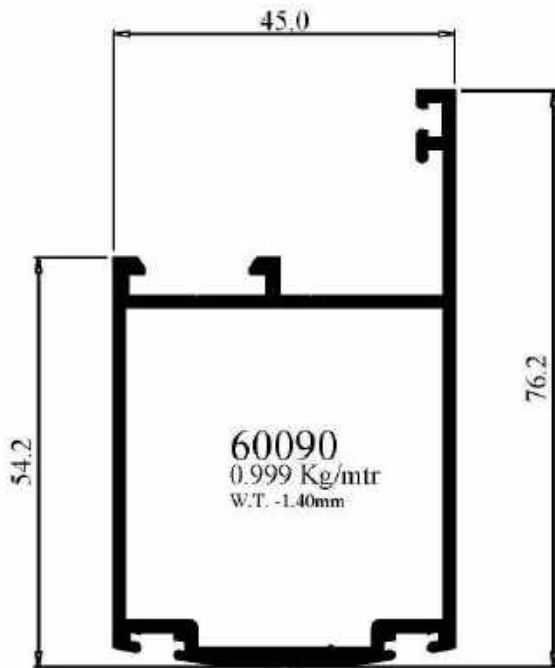
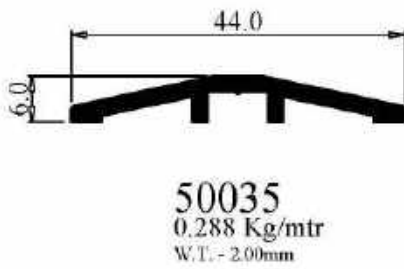
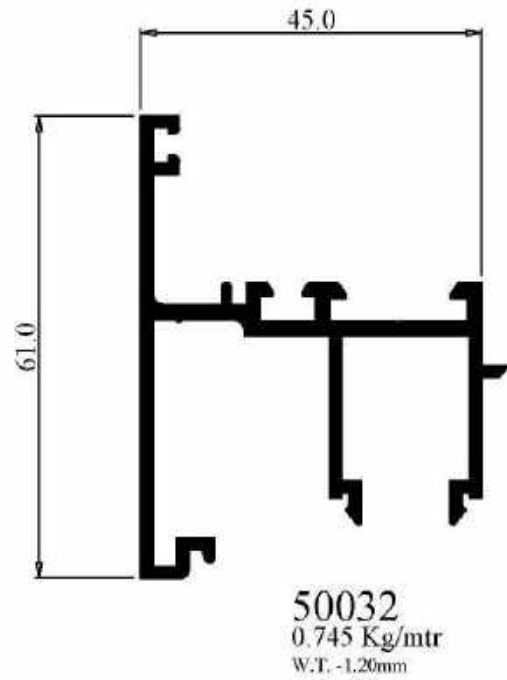
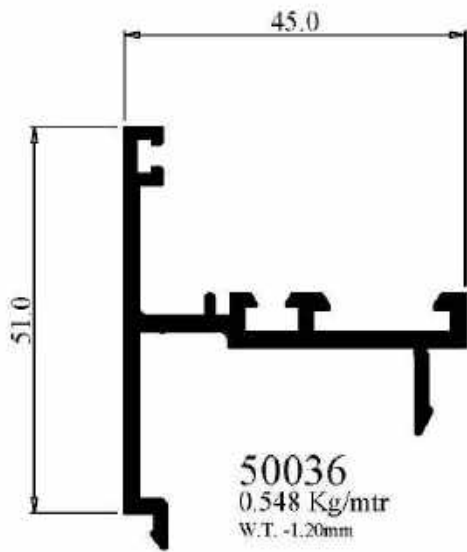


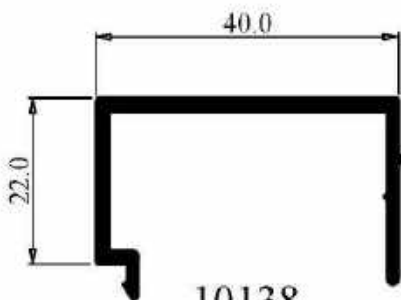
**60083**  
1.149 Kg/mtr  
W.T. -1.60mm



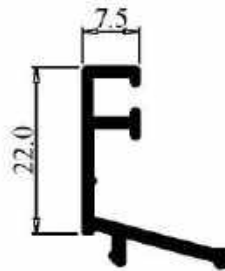


# HINGED DOORS & WINDOWS 45 MM SERIES

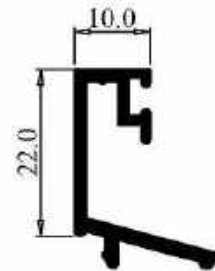




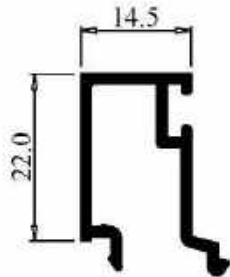
**10138**  
0.434 Kg/mtr  
W.T. -1.85mm



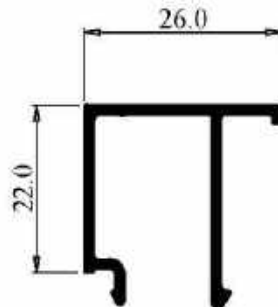
**10139**  
0.223 Kg/mtr  
W.T. -1.40mm



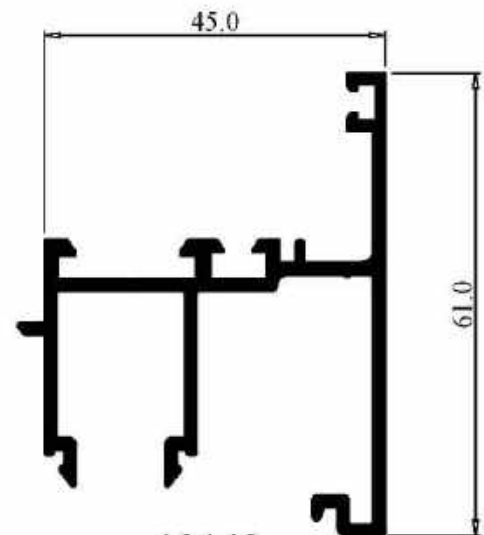
**10101**  
0.265 Kg/mtr  
W.T. -1.60mm



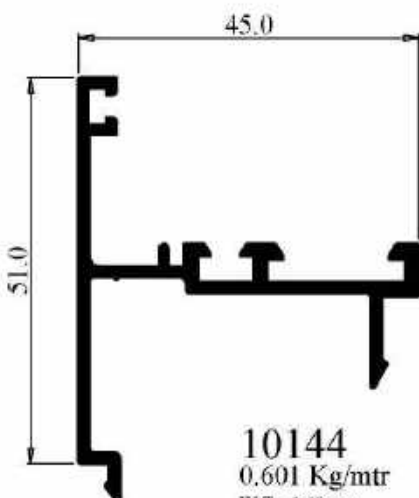
**10142**  
0.262 Kg/mtr  
W.T. -1.25mm



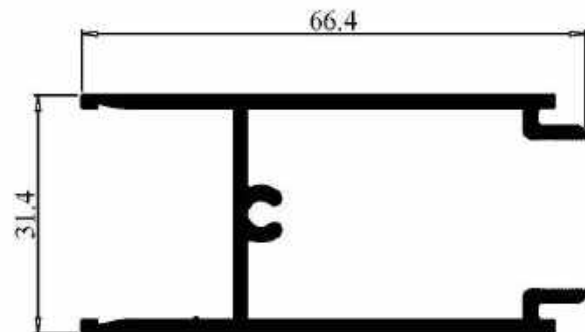
**10141**  
0.265 Kg/mtr  
W.T. -1.15mm



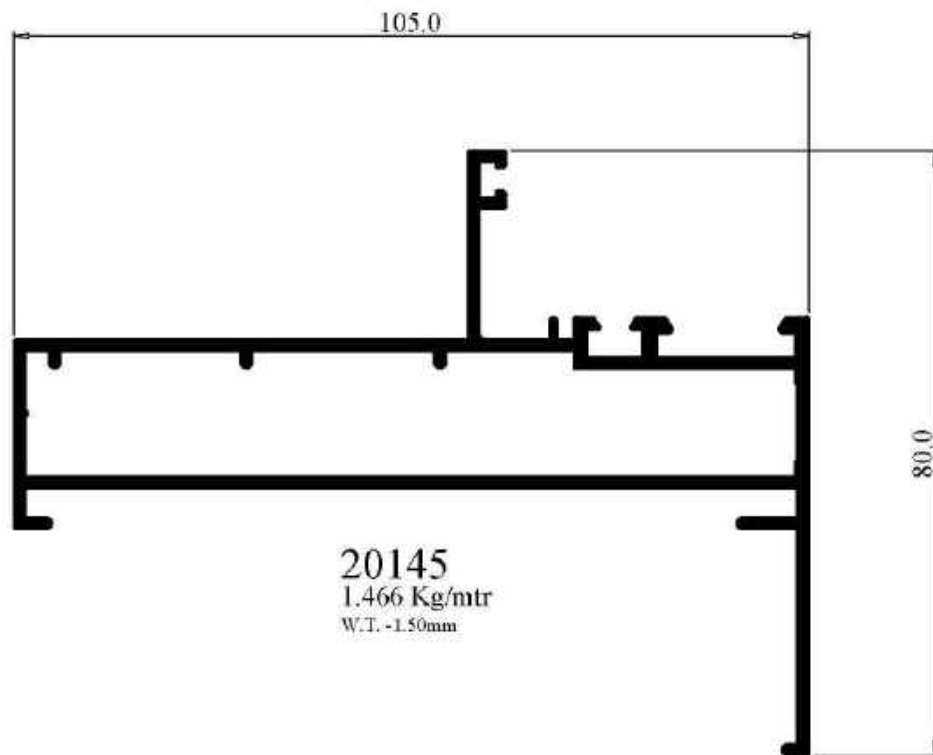
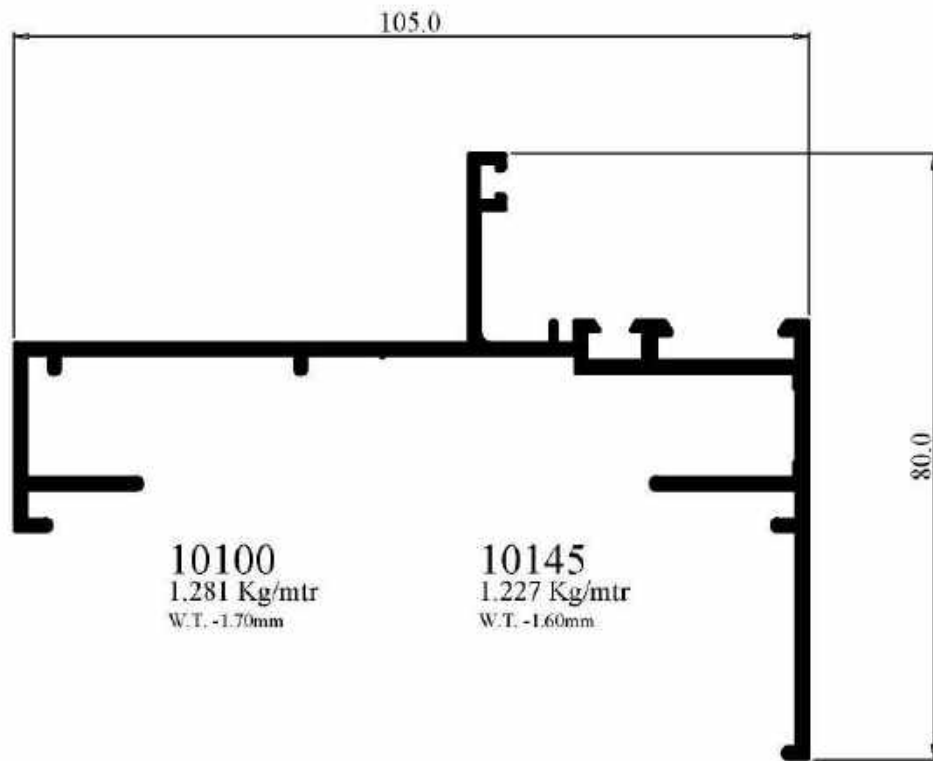
**10143**  
0.875 Kg/mtr  
W.T. -1.55mm

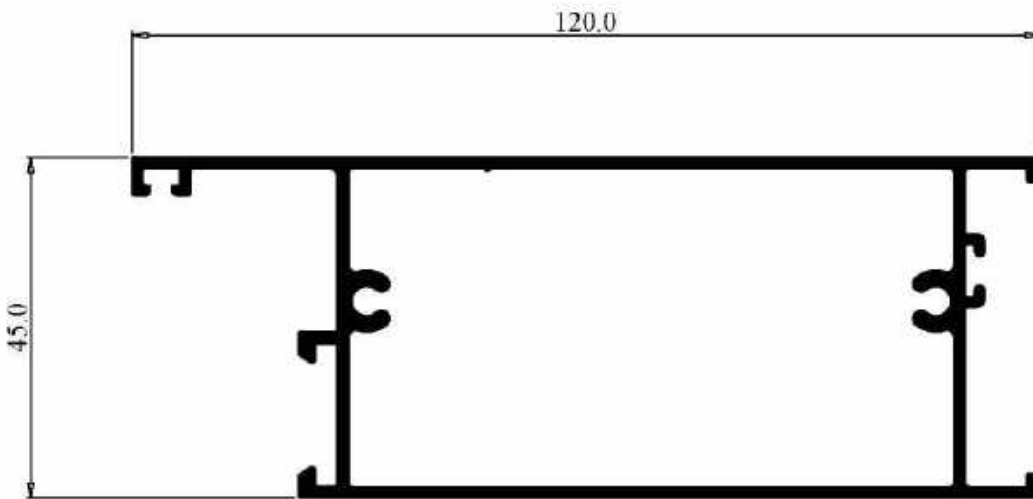
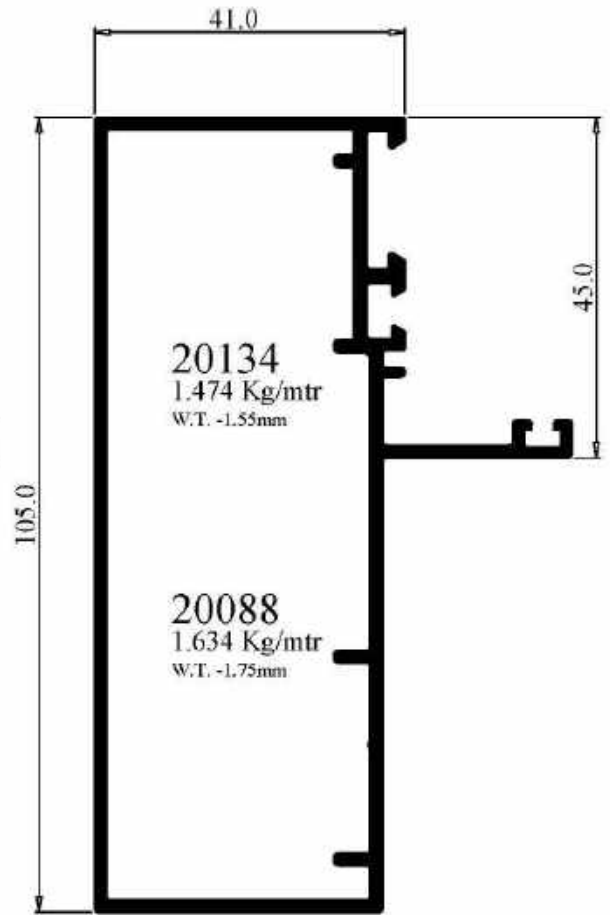
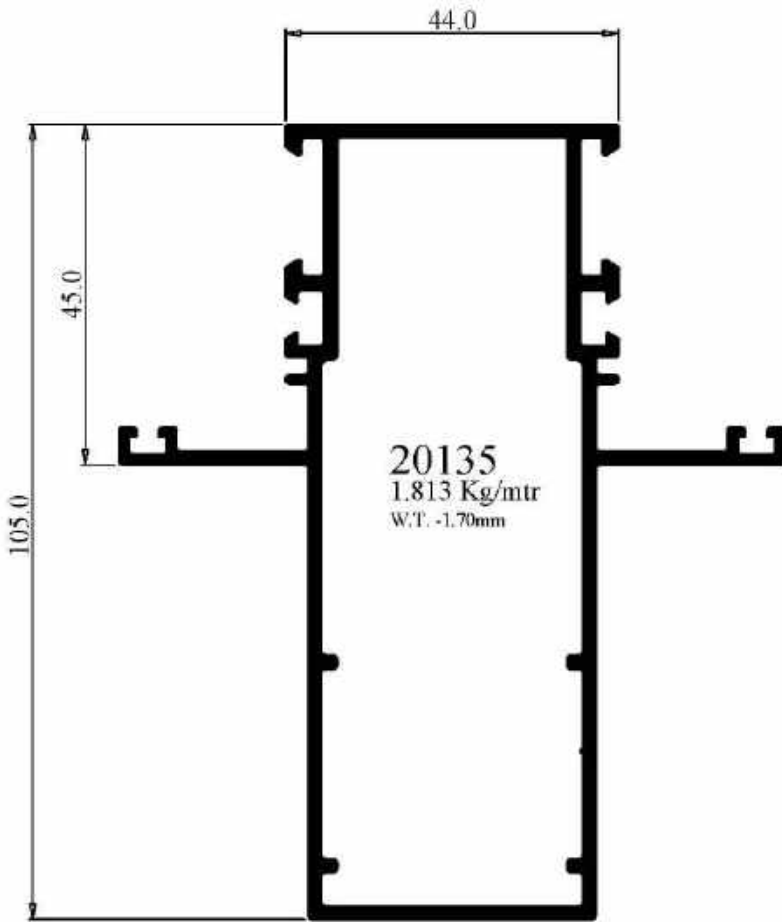


**10144**  
0.601 Kg/mtr  
W.T. -1.40mm



**10102**  
0.828 Kg/mtr  
W.T. -1.70mm

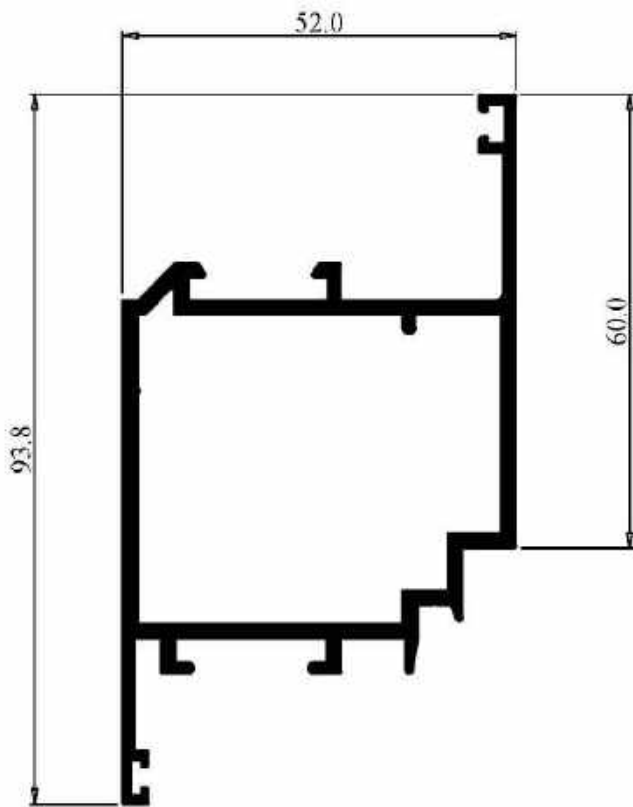




20133  
1.396 Kg/mtr  
W.T. -1.40mm

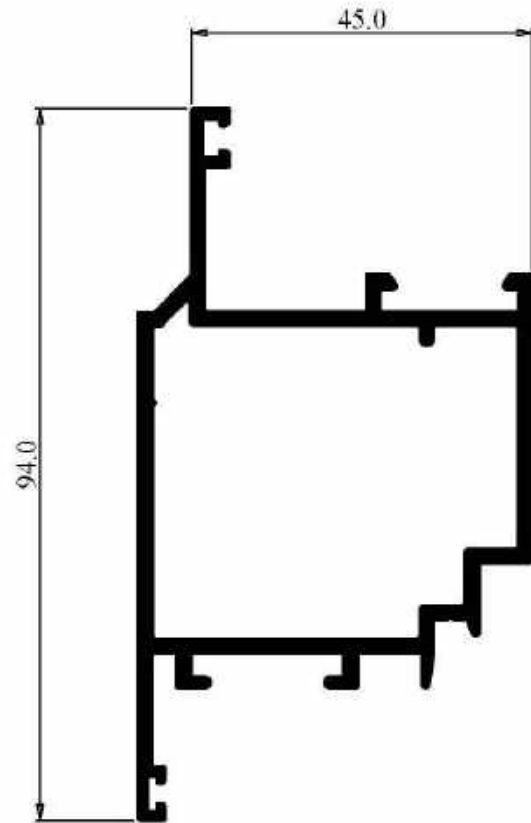
20094  
1.681 Kg/mtr  
W.T. -1.80mm

# HINGED DOORS & WINDOWS 45 MM SERIES



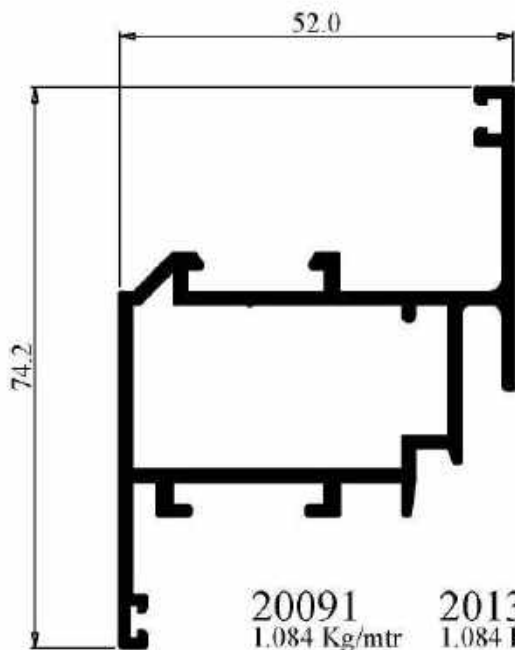
**20137**  
1.426 Kg/mtr  
W.T. - 1.95mm

**20089**  
1.447 Kg/mtr  
W.T. - 2.00mm



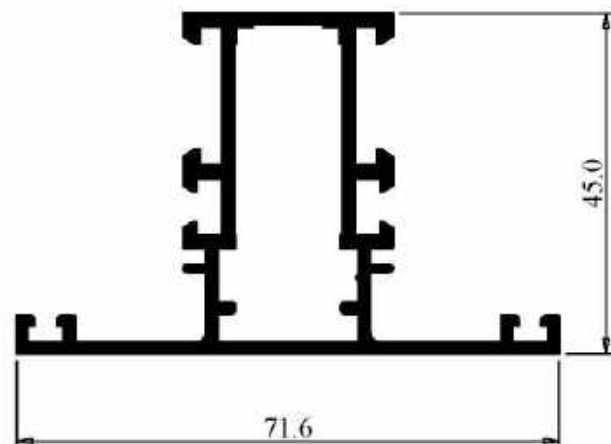
**20138**  
1.404 Kg/mtr  
W.T. - 1.90mm

**20090**  
1.447 Kg/mtr  
W.T. - 2.00mm



**20091**  
1.084 Kg/mtr  
W.T. - 1.60mm

**20139**  
1.084 Kg/mtr  
W.T. - 1.60mm

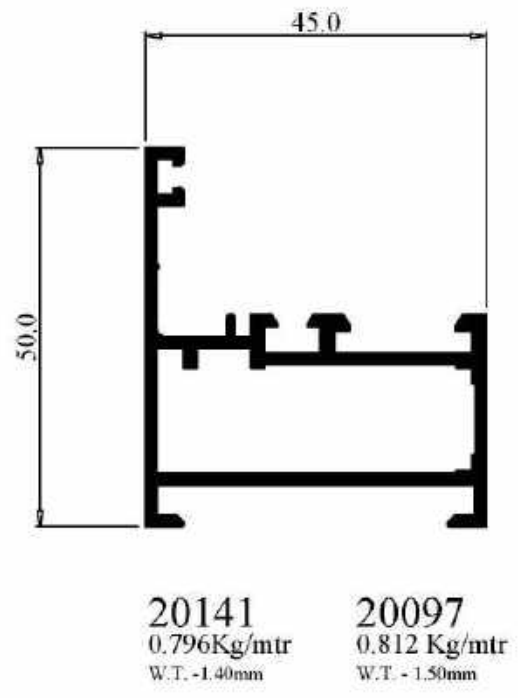
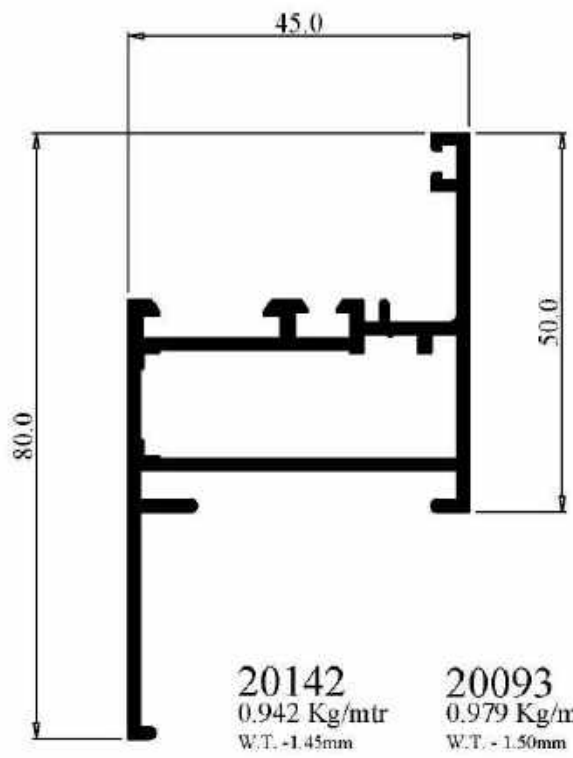
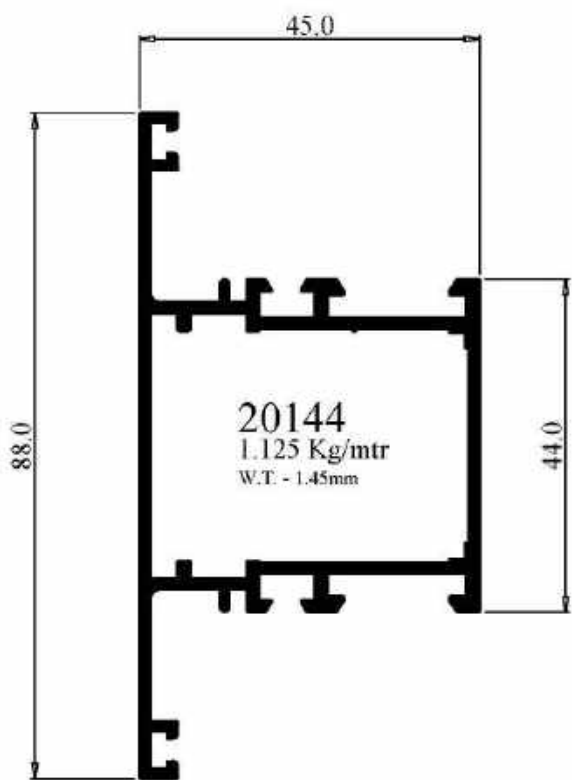
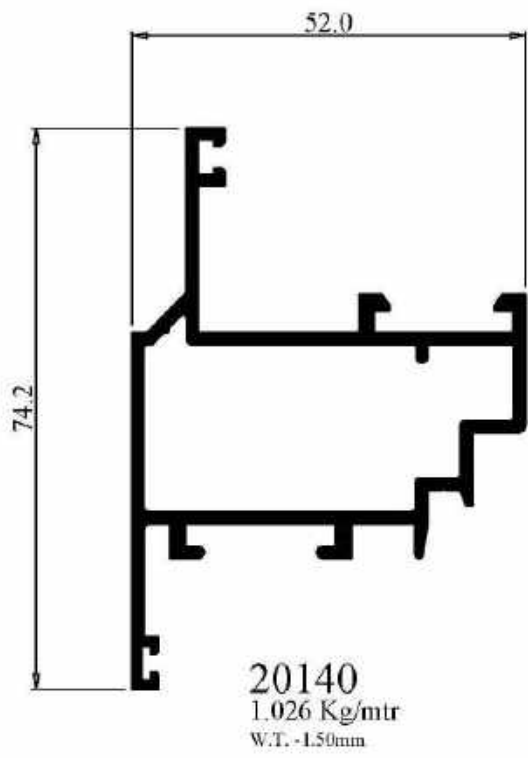


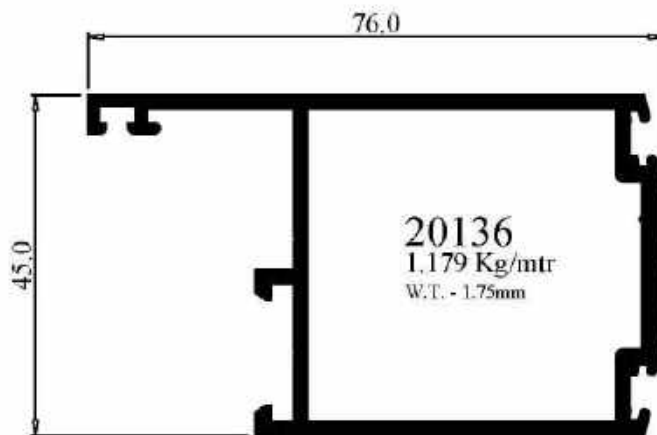
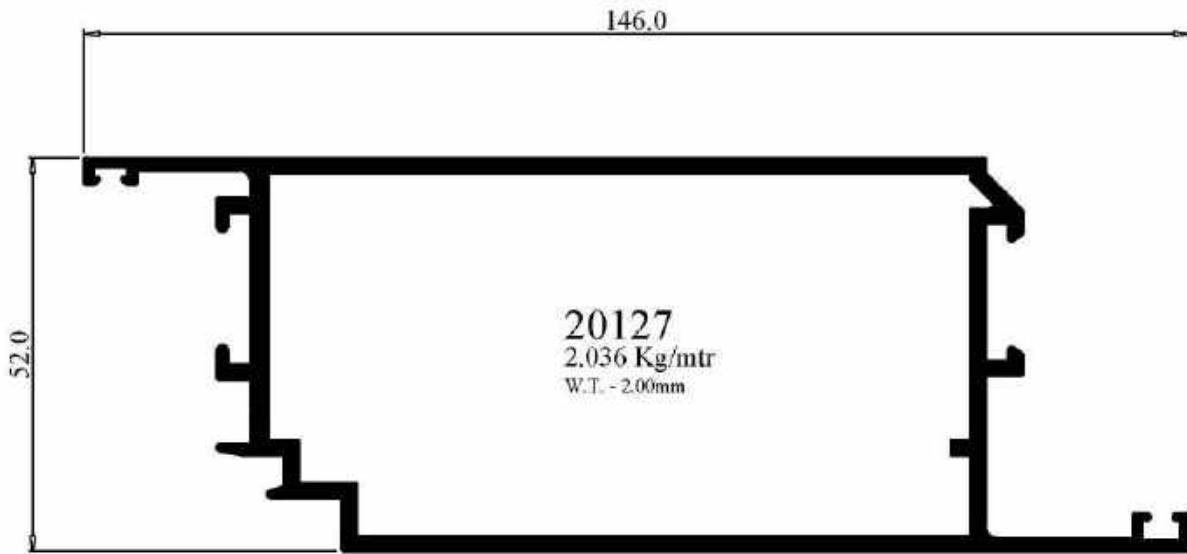
**20092**  
1.025 Kg/mtr  
W.T. - 1.50mm

**20143**  
0.980 Kg/mtr  
W.T. - 1.40mm



# HINGED DOORS & WINDOWS 45 MM SERIES





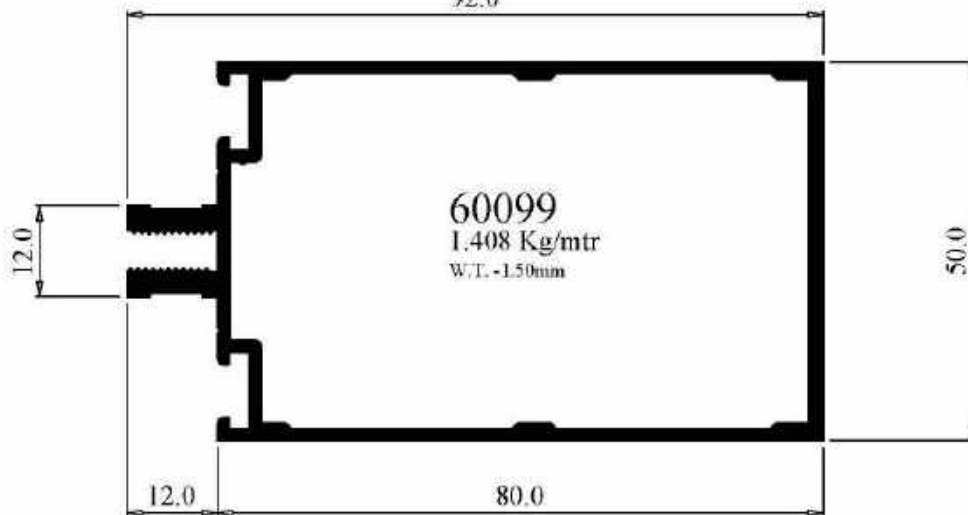
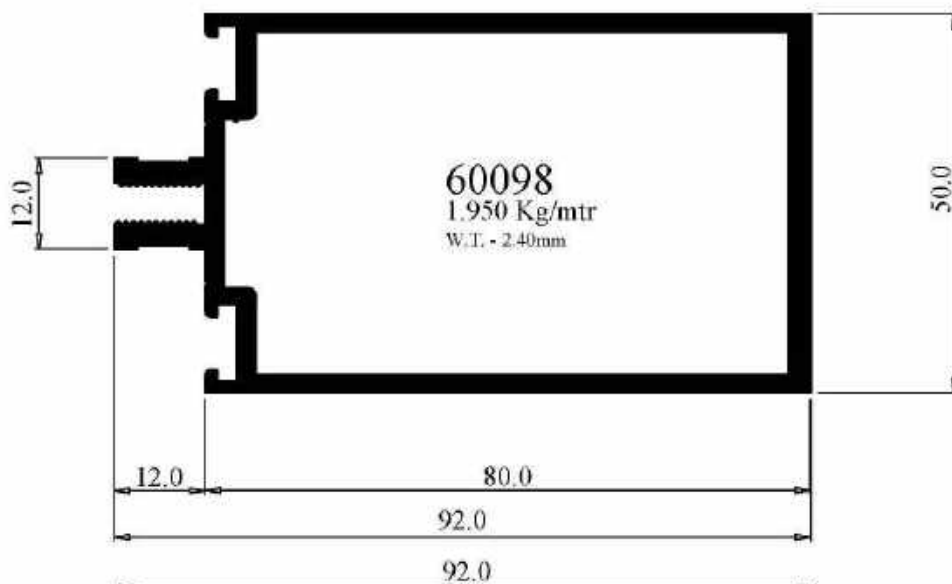
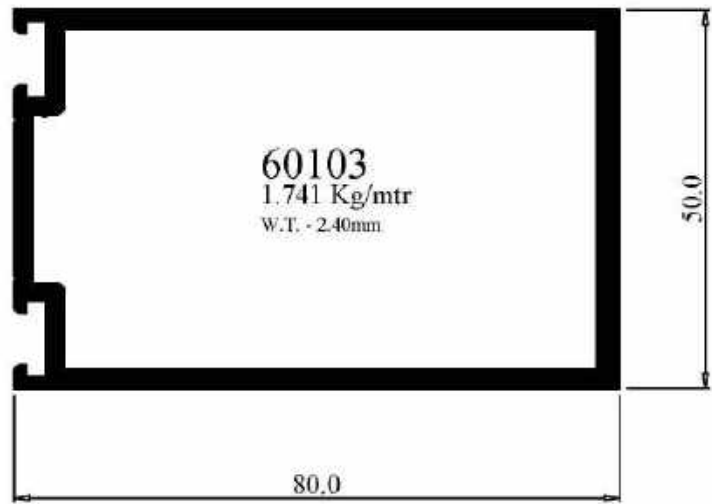
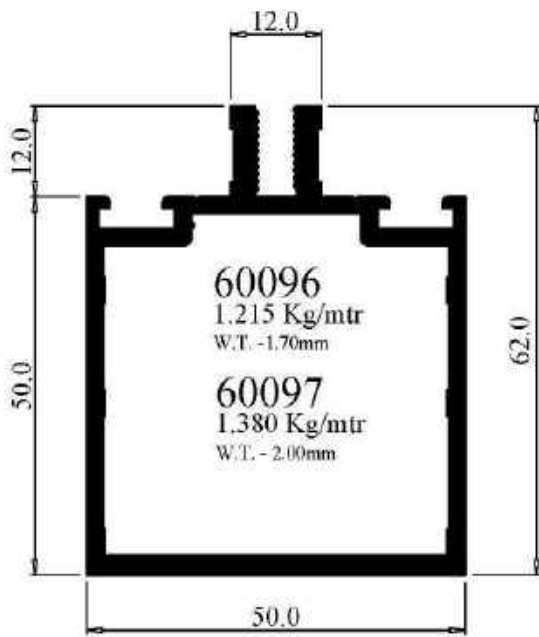


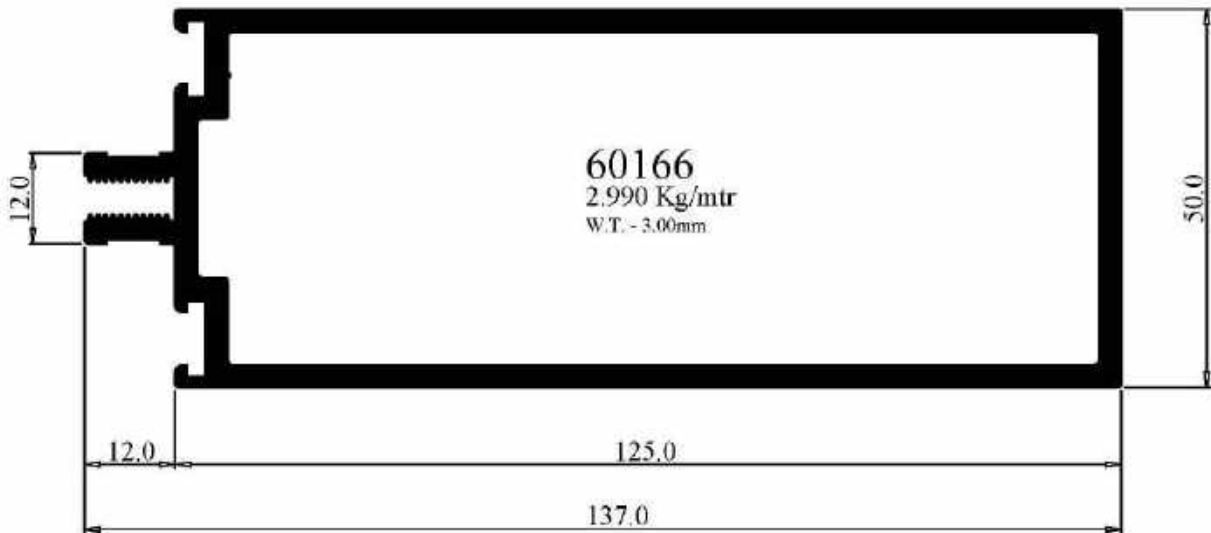
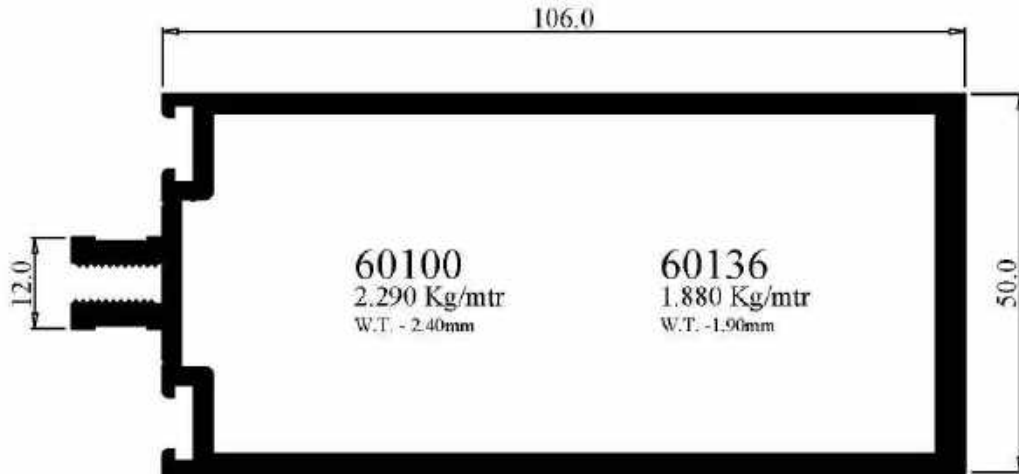
# CURTAIN WALL

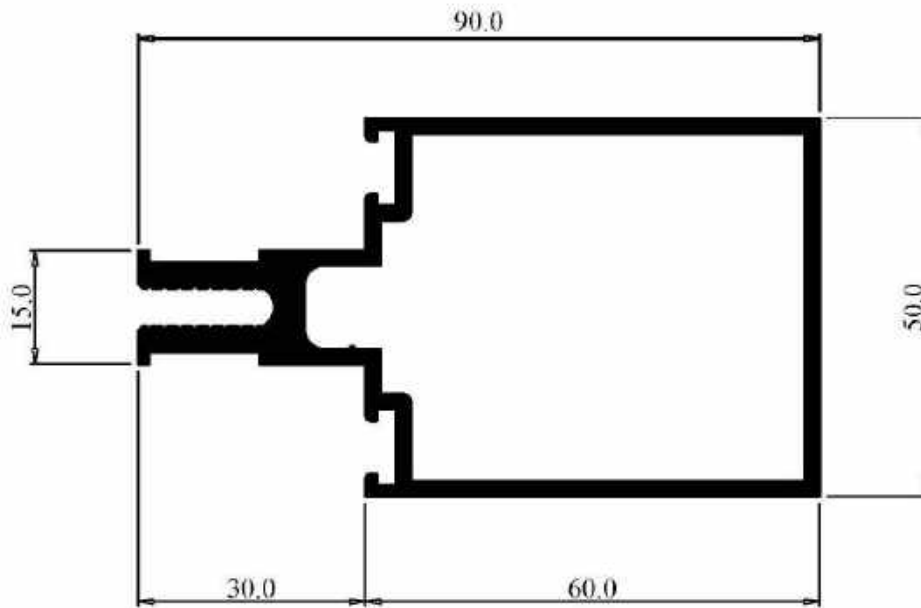
## 50 mm Series



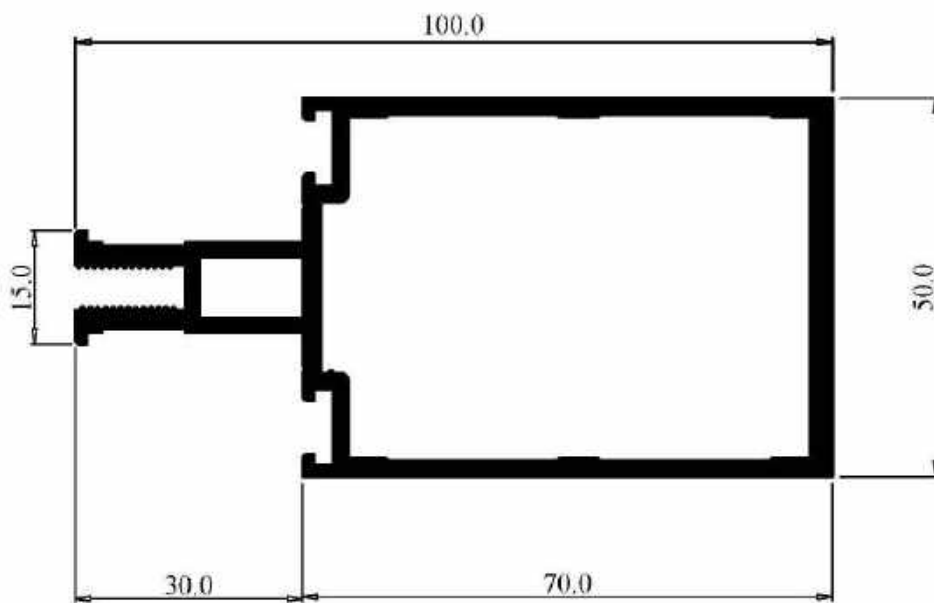
# CURTAIN WALL 50 MM SERIES



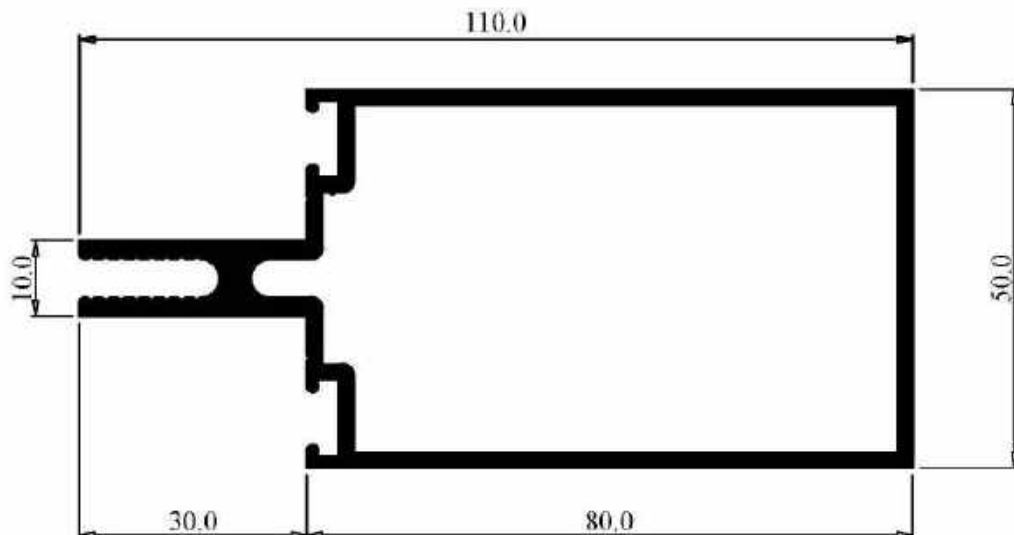




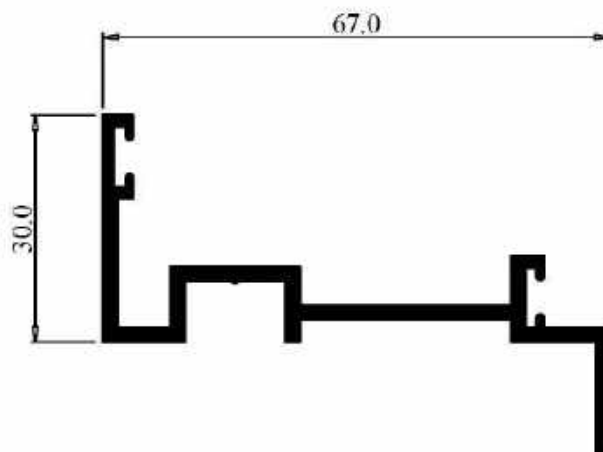
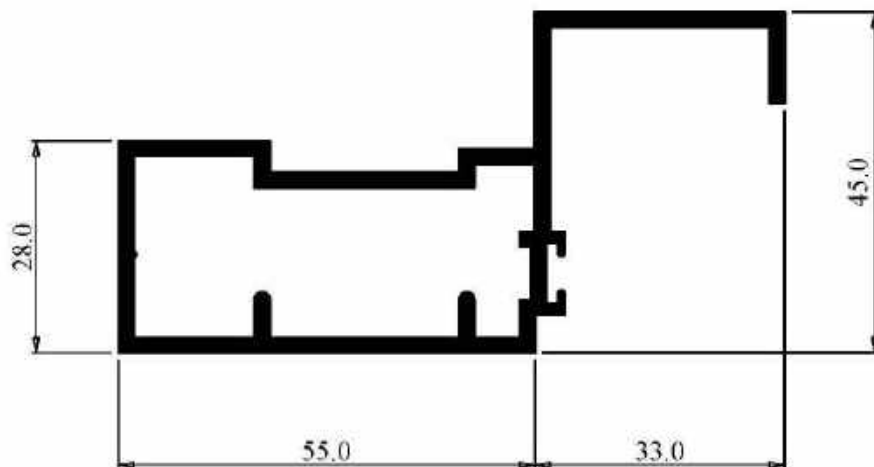
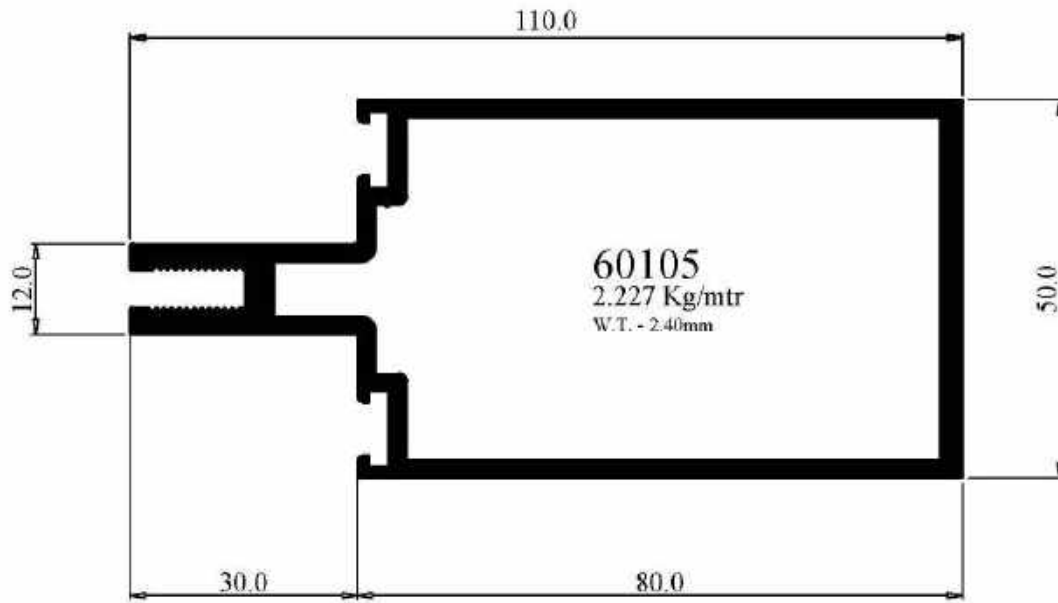
**60101**  
1.761 Kg/mtr  
W.T. - 2.00mm



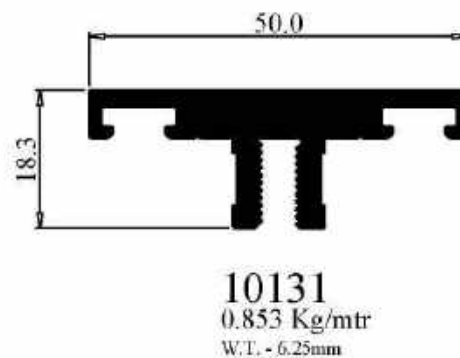
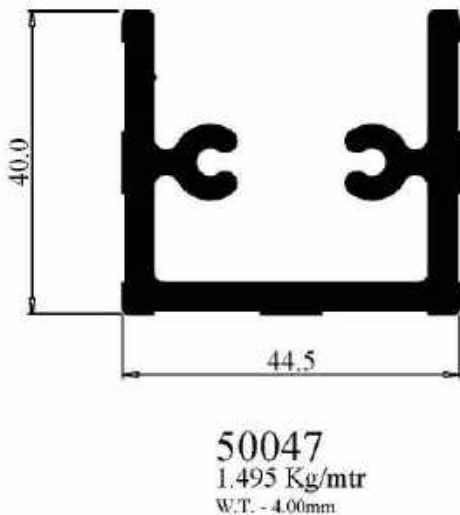
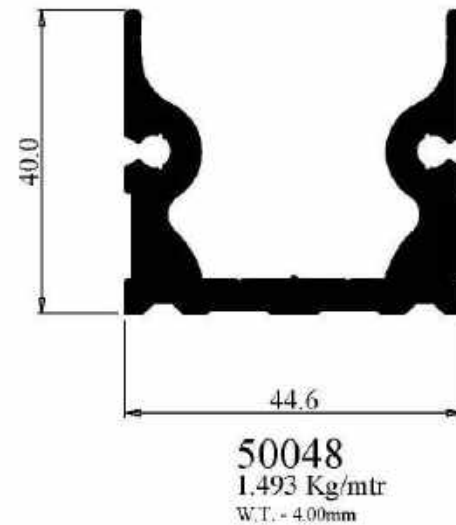
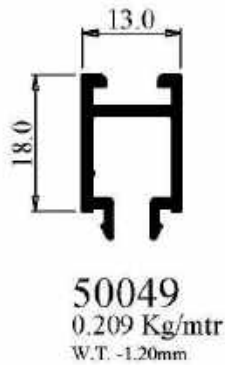
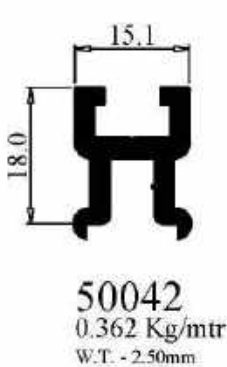
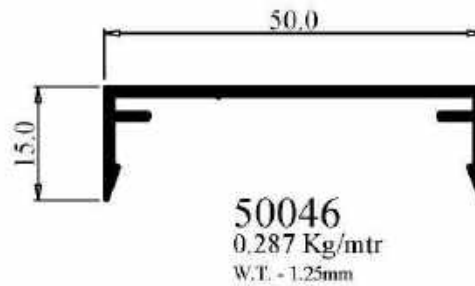
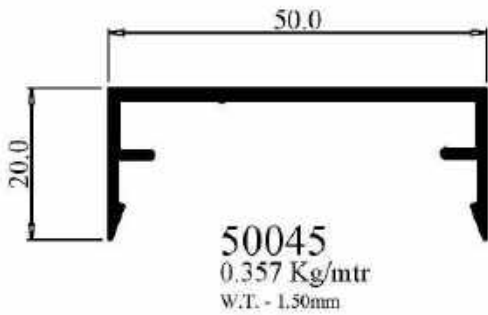
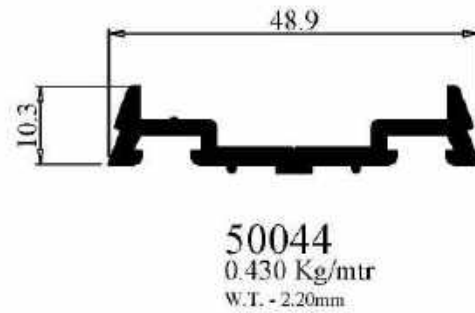
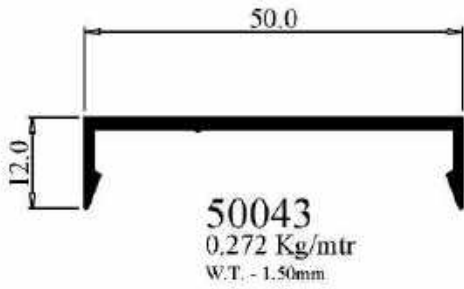
**60102**  
2.002 Kg/mtr  
W.T. - 2.20mm



**60104**  
1.847 Kg/mtr  
W.T. - 2.00mm

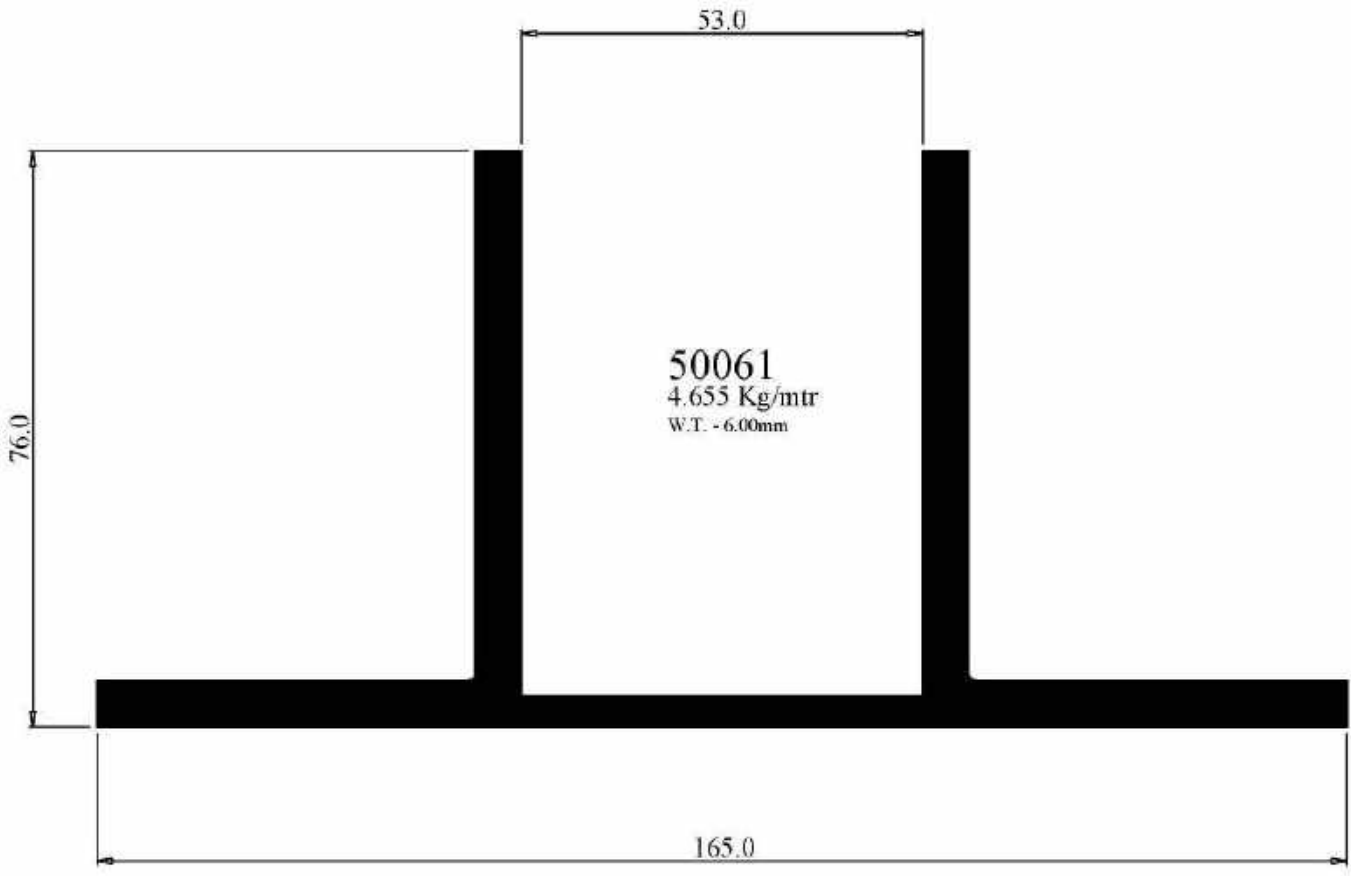


# CURTAIN WALL 50 MM SERIES

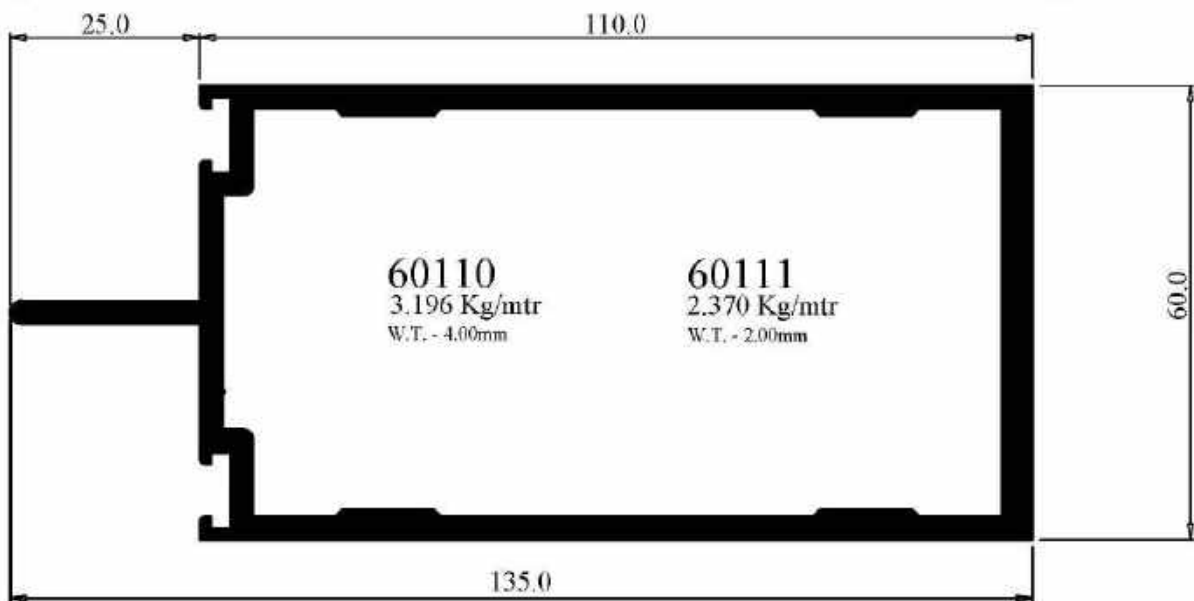
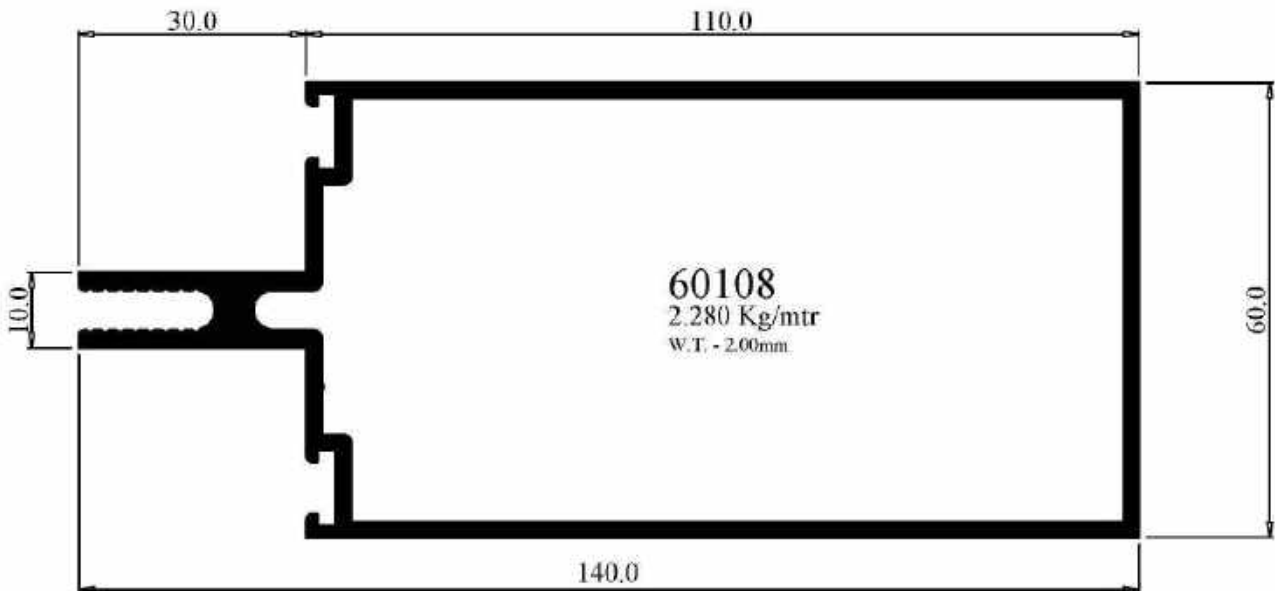
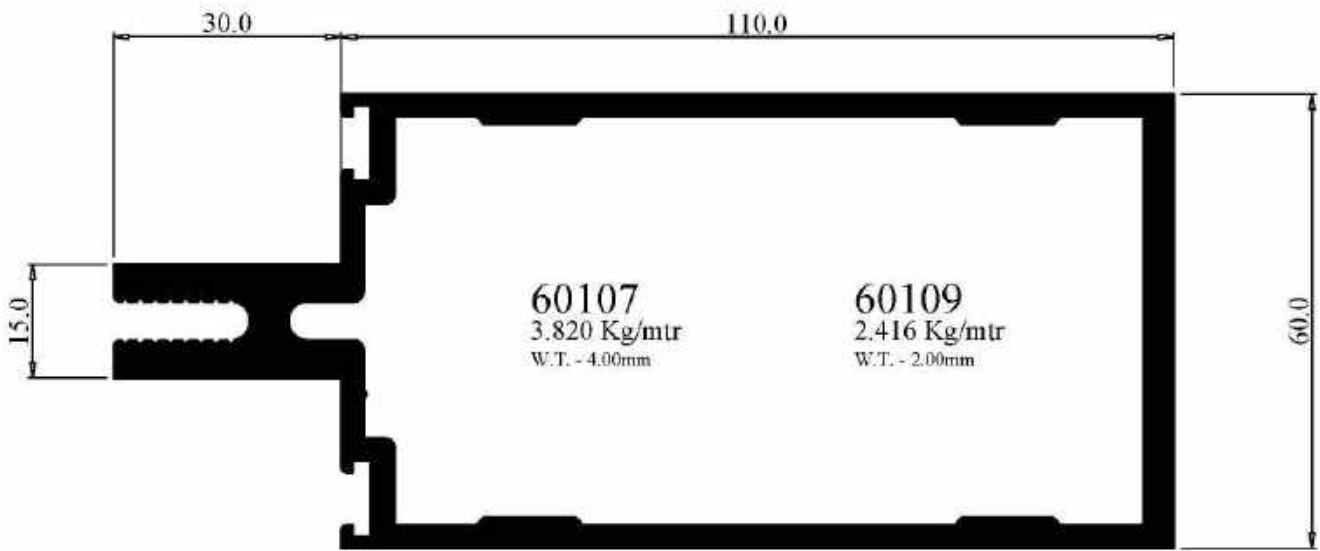




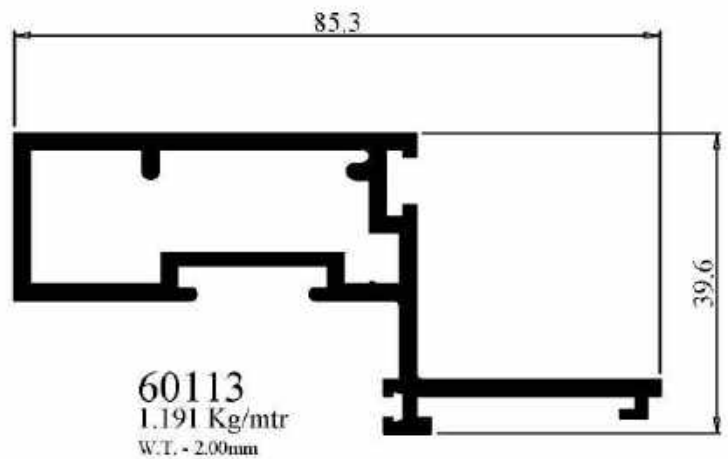
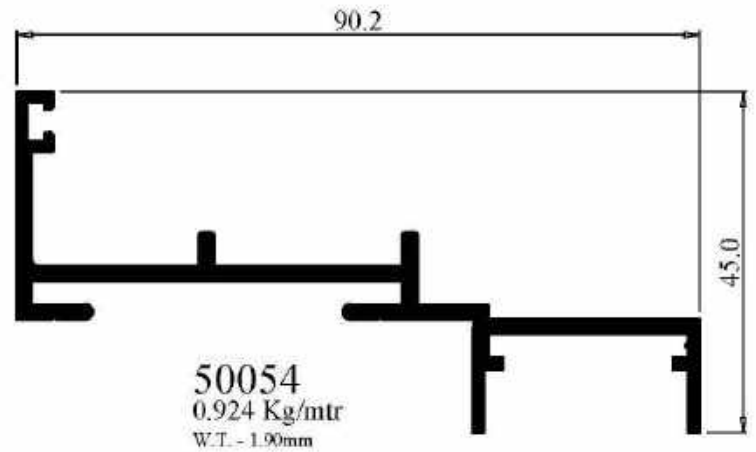
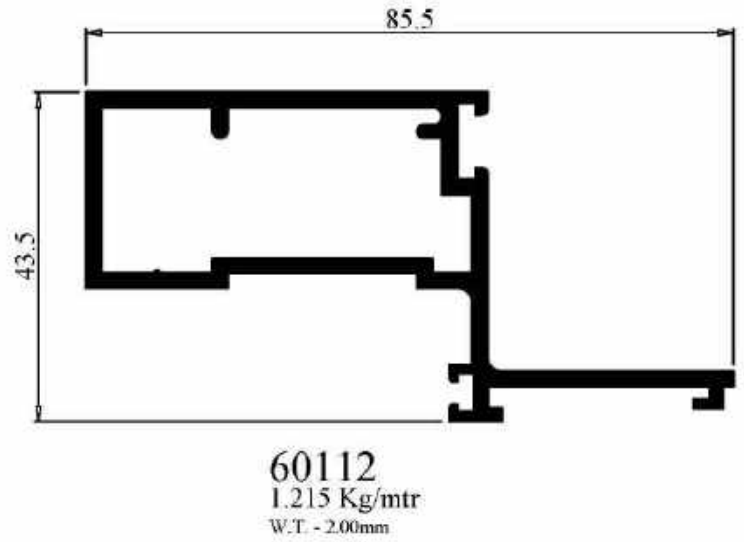
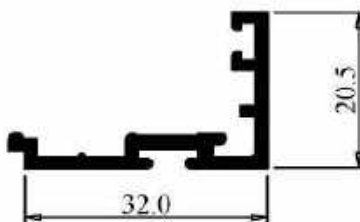
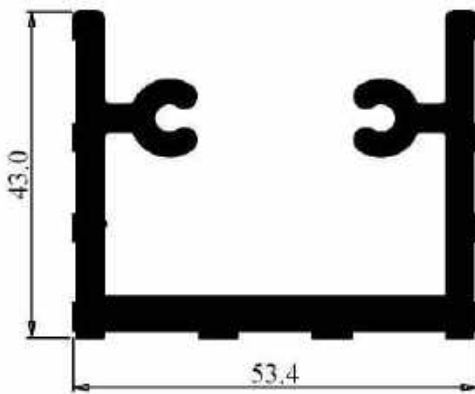
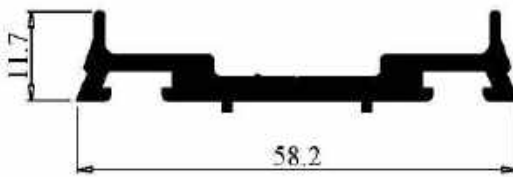
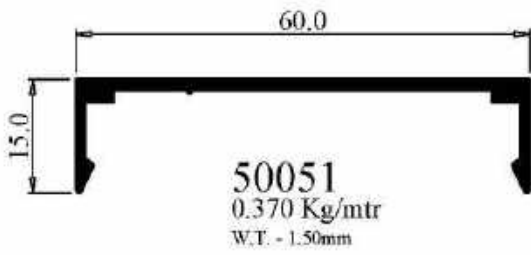
# CURTAIN WALL 50 MM SERIES



# CURTAIN WALL 60 mm Series



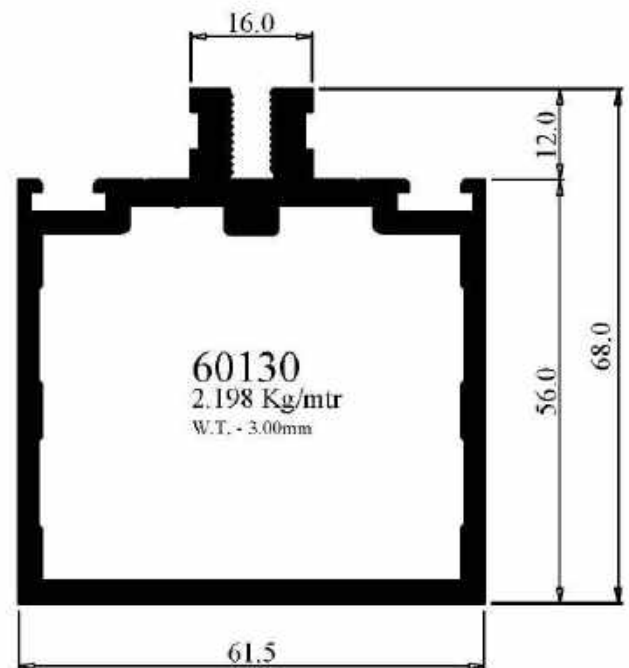
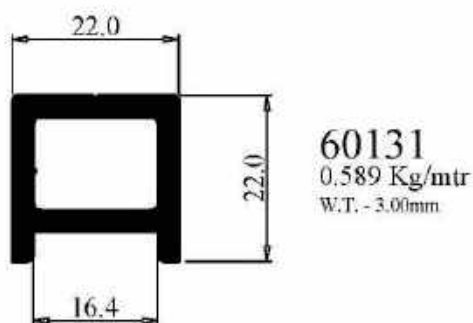
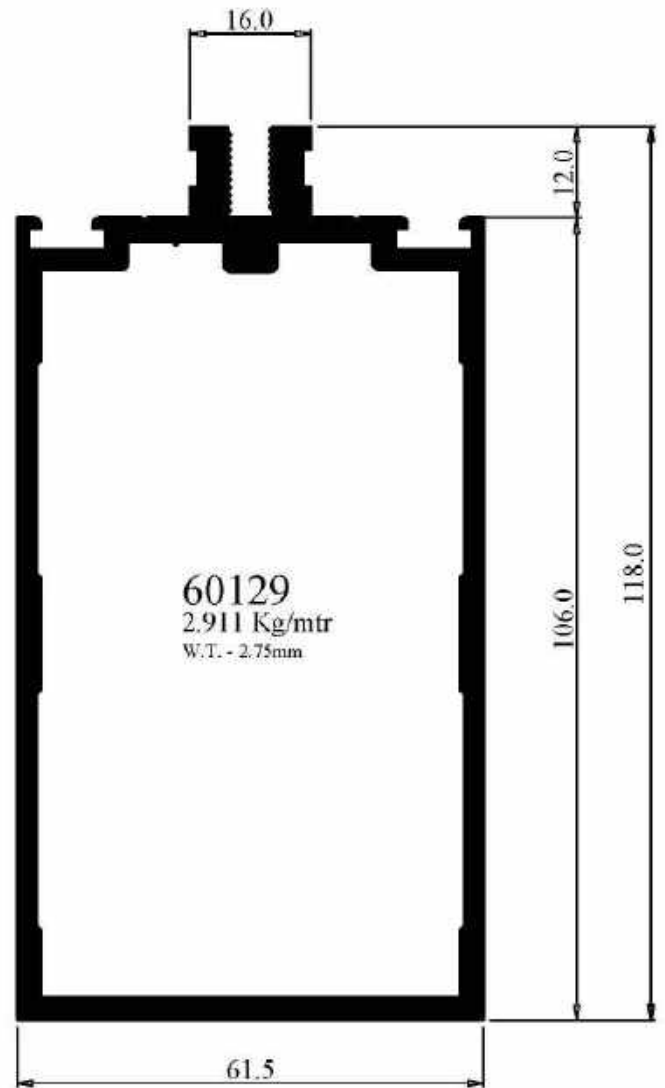
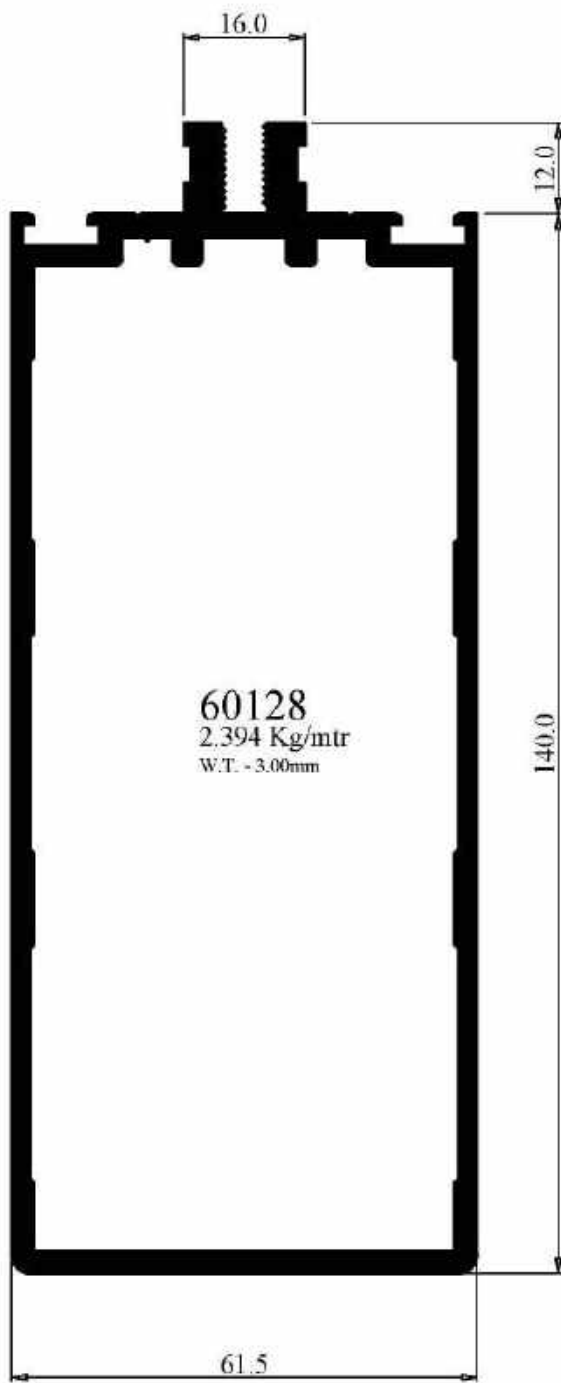


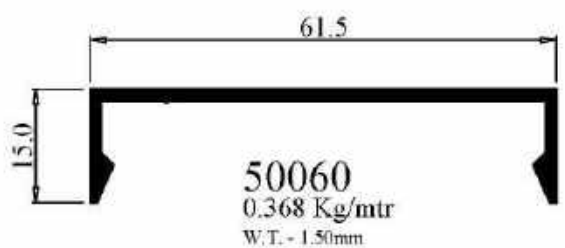
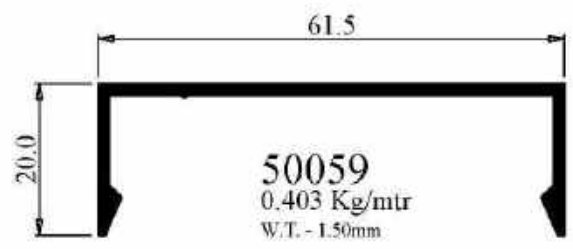
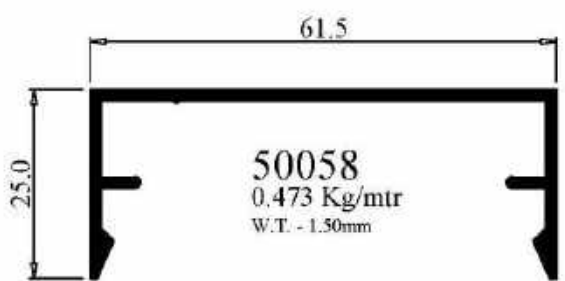
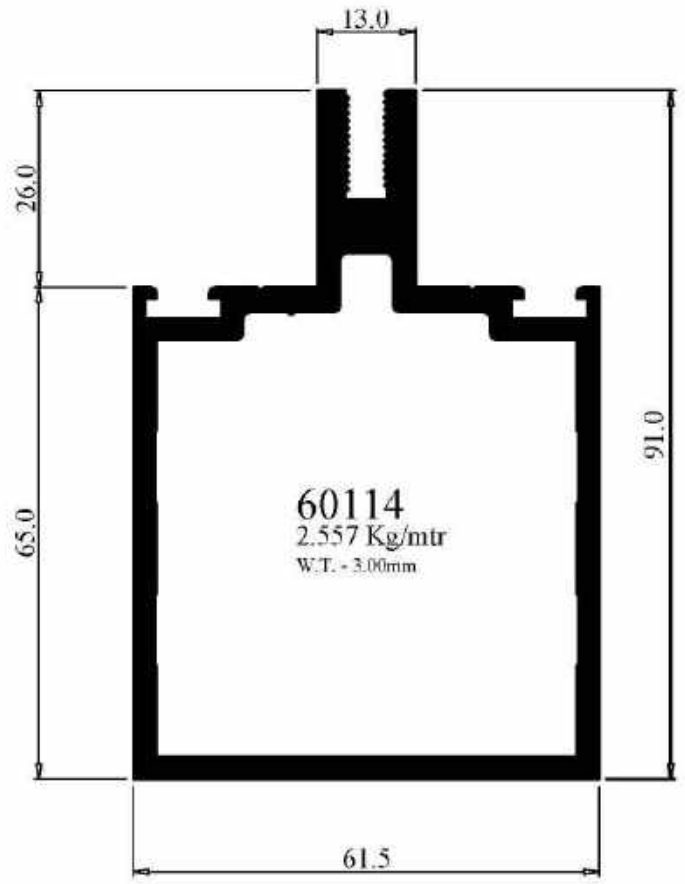
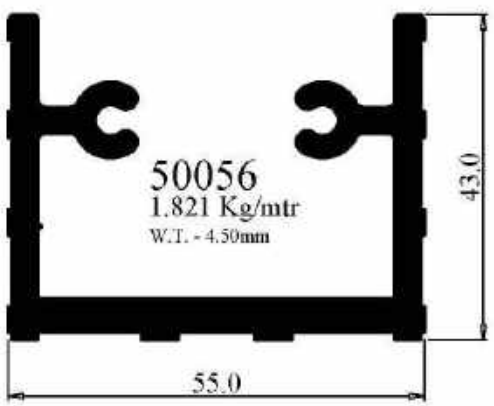
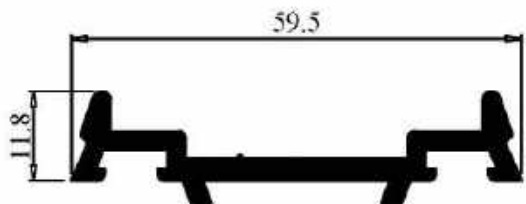
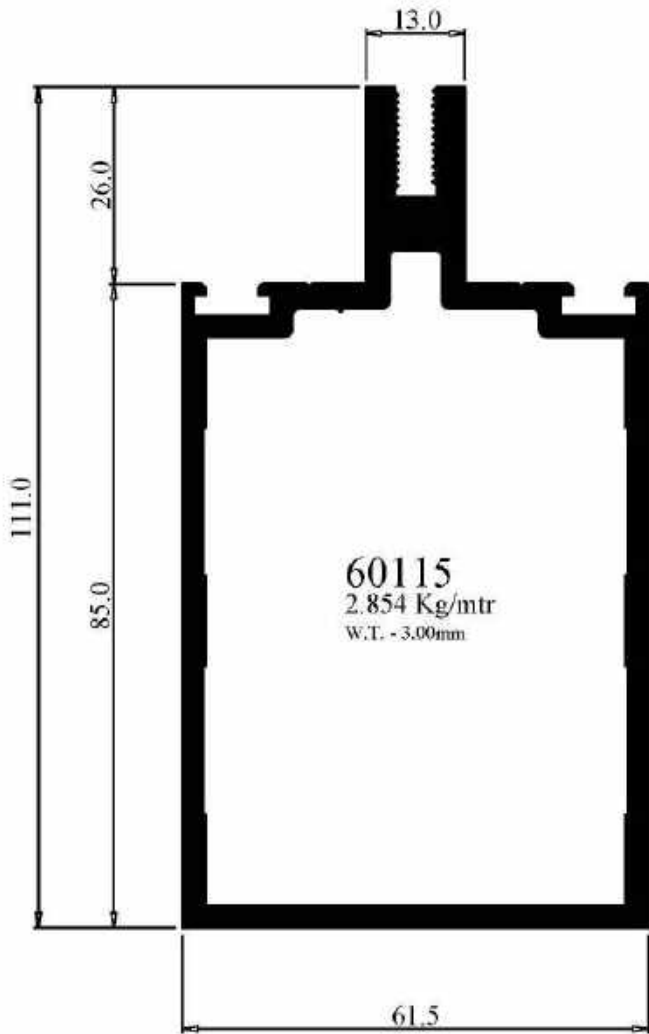


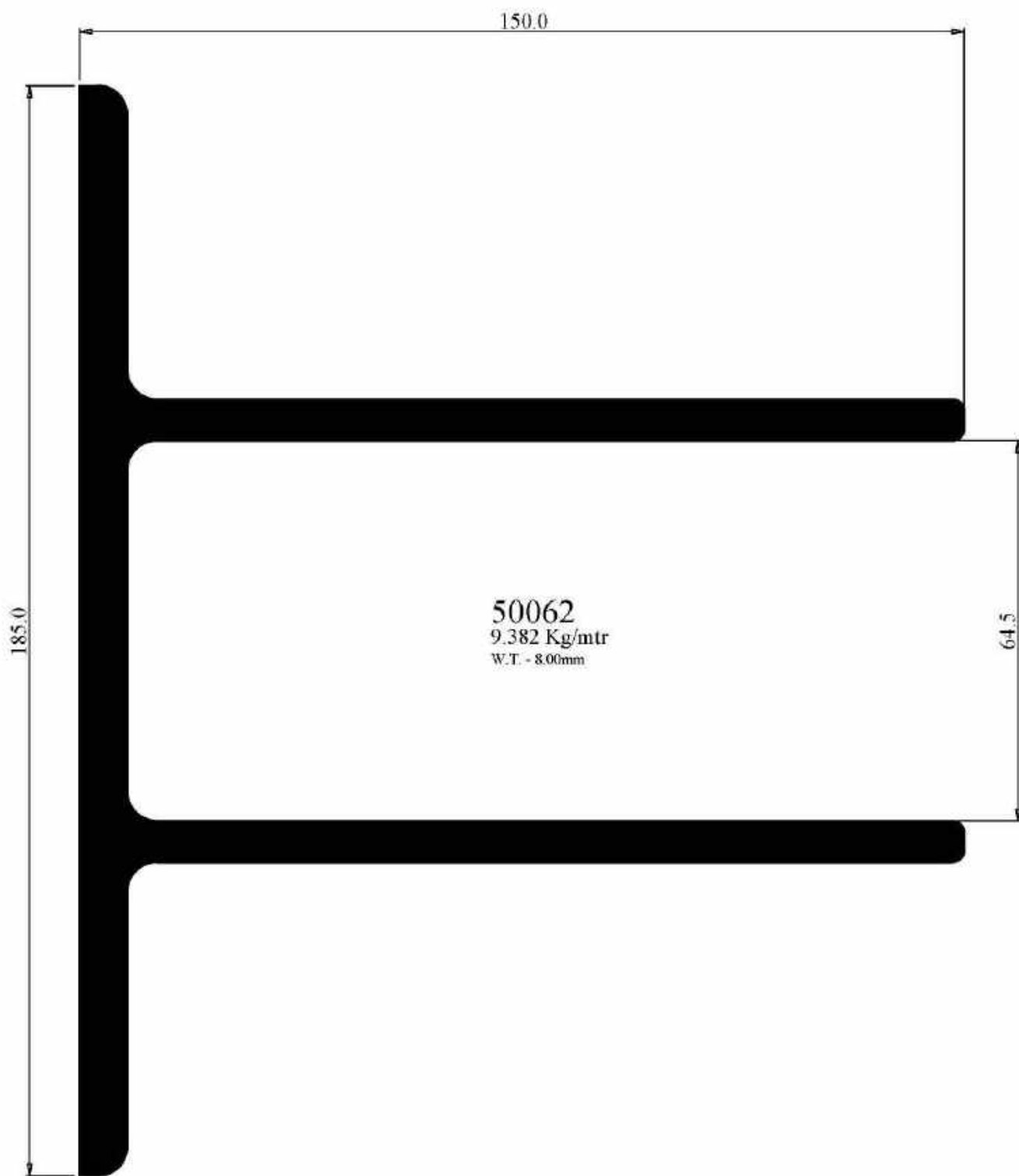


# CURTAIN WALL 61.50 mm Series

# CURTAIN WALL 61.50 MM SERIES

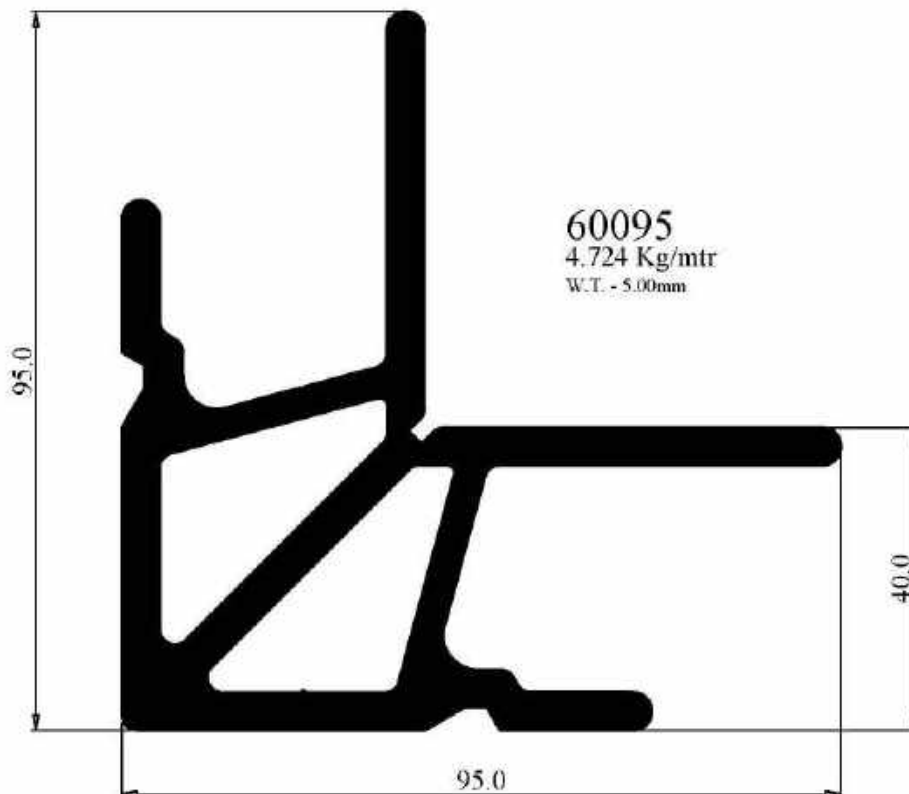
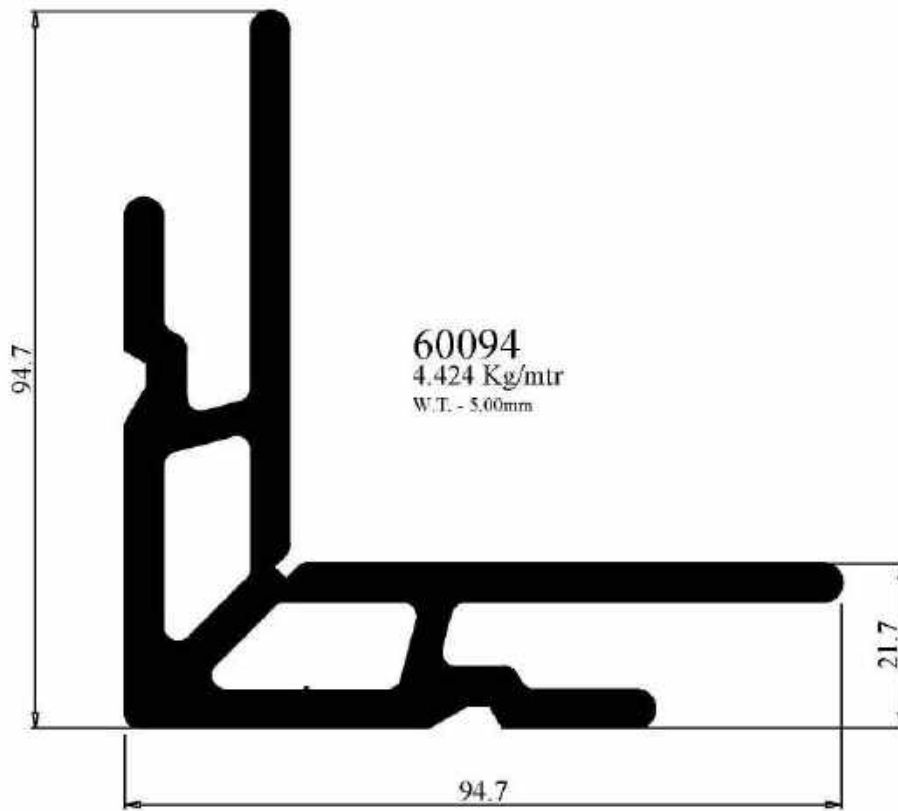


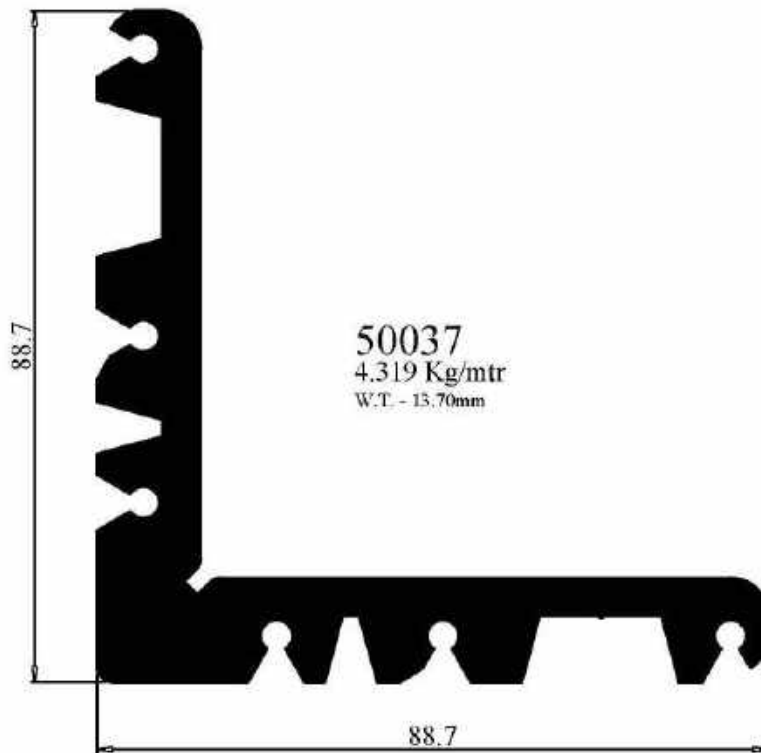






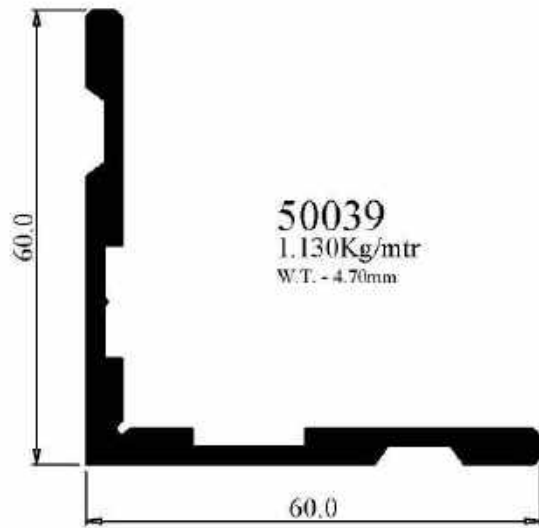
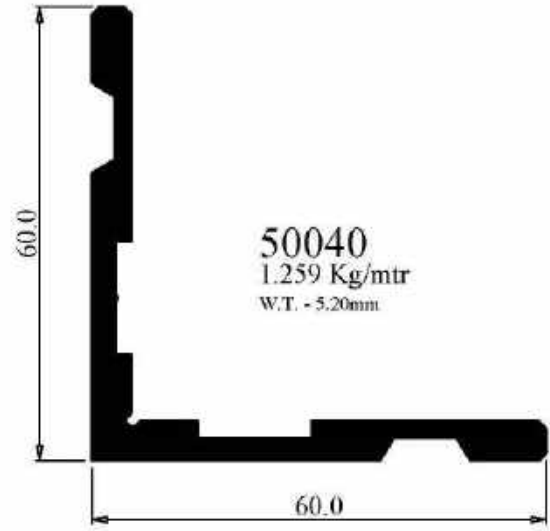
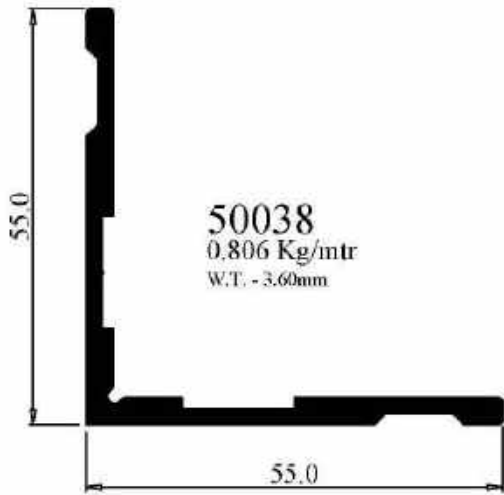
# CLEAT ANGLE PROFILES





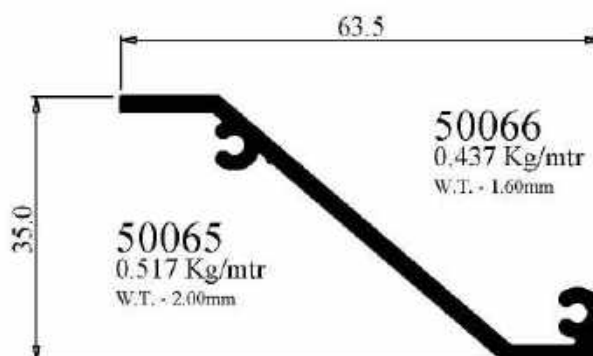
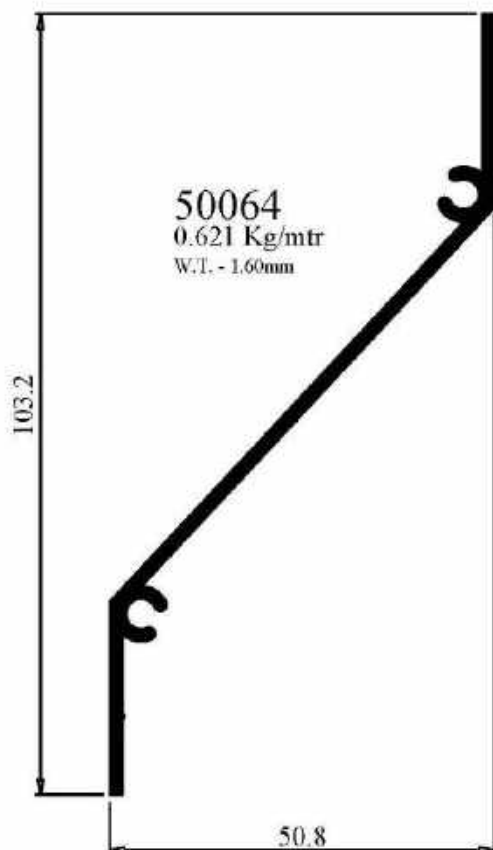
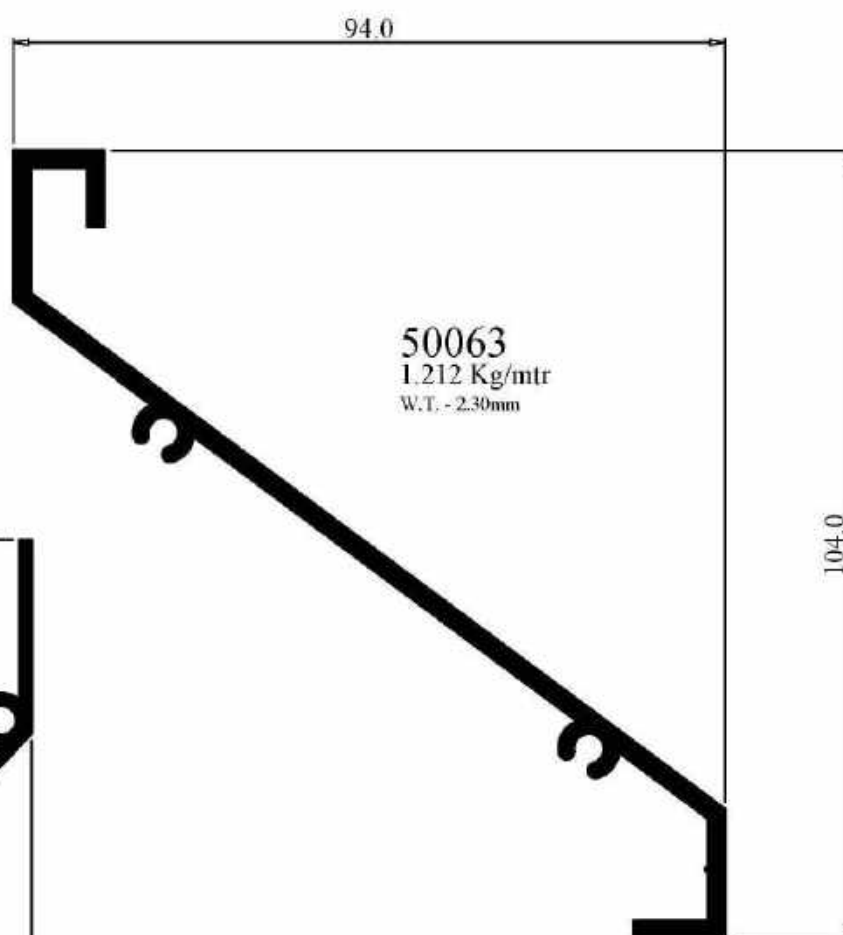
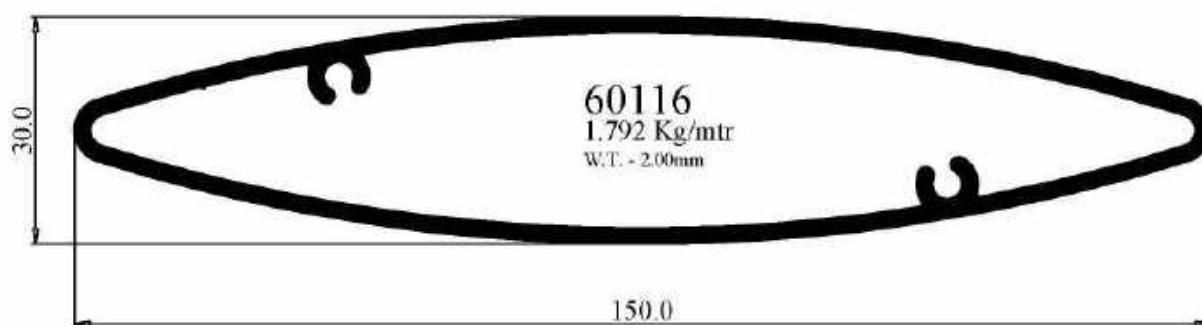


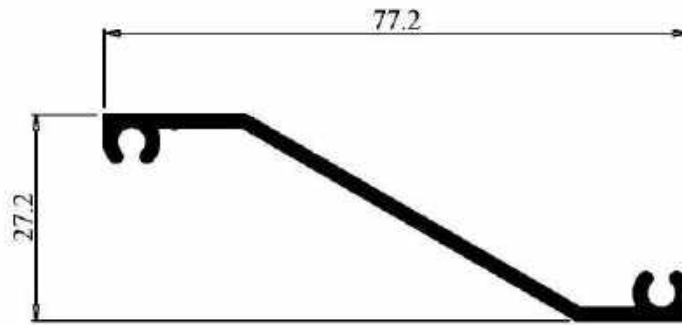
# CLEAT ANGLE PROFILES



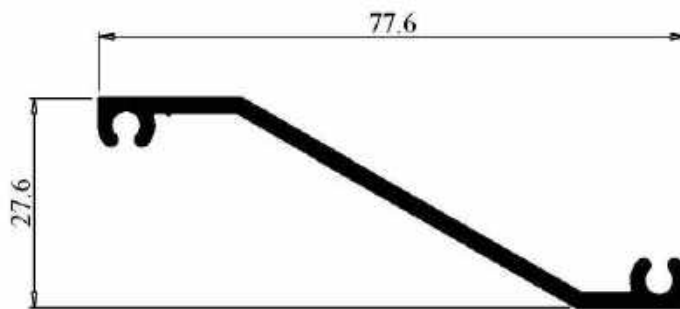


# LOUVER PROFILES

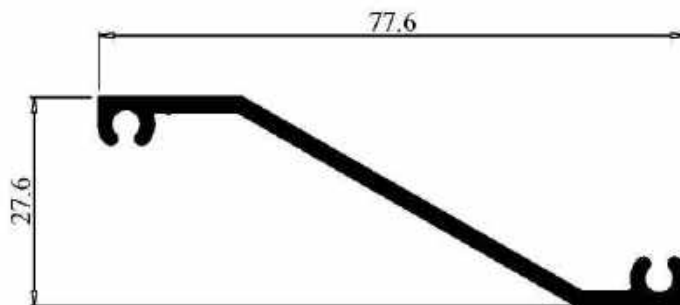




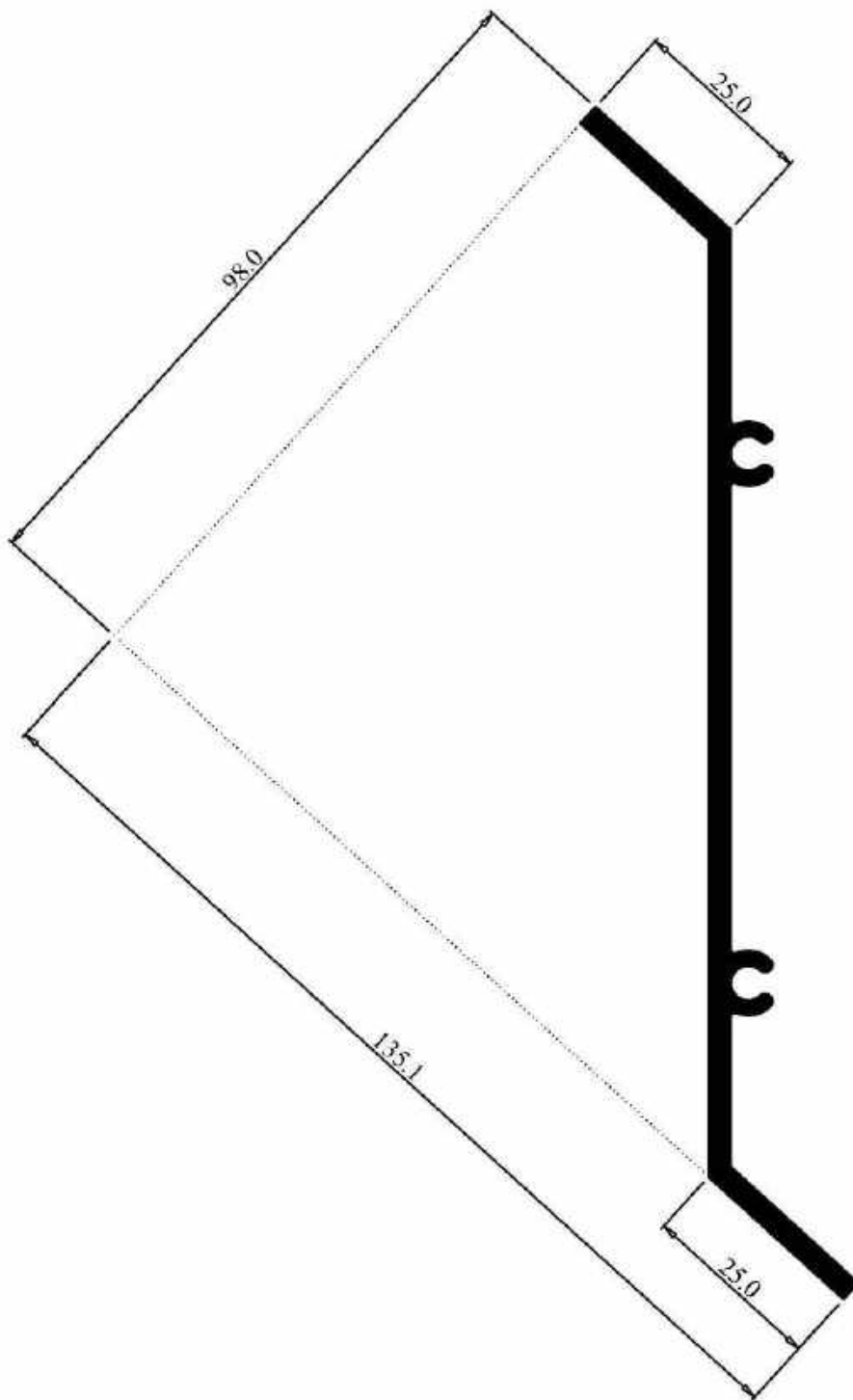
50067  
0.453 Kg/mtr  
W.T. - 1.60mm



50068  
0.513 Kg/mtr  
W.T. - 1.90mm



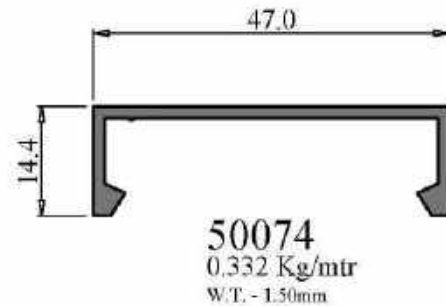
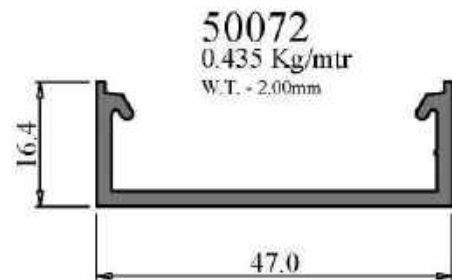
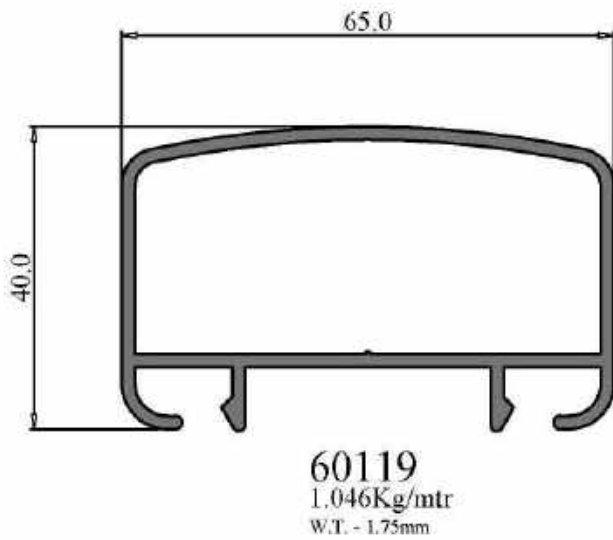
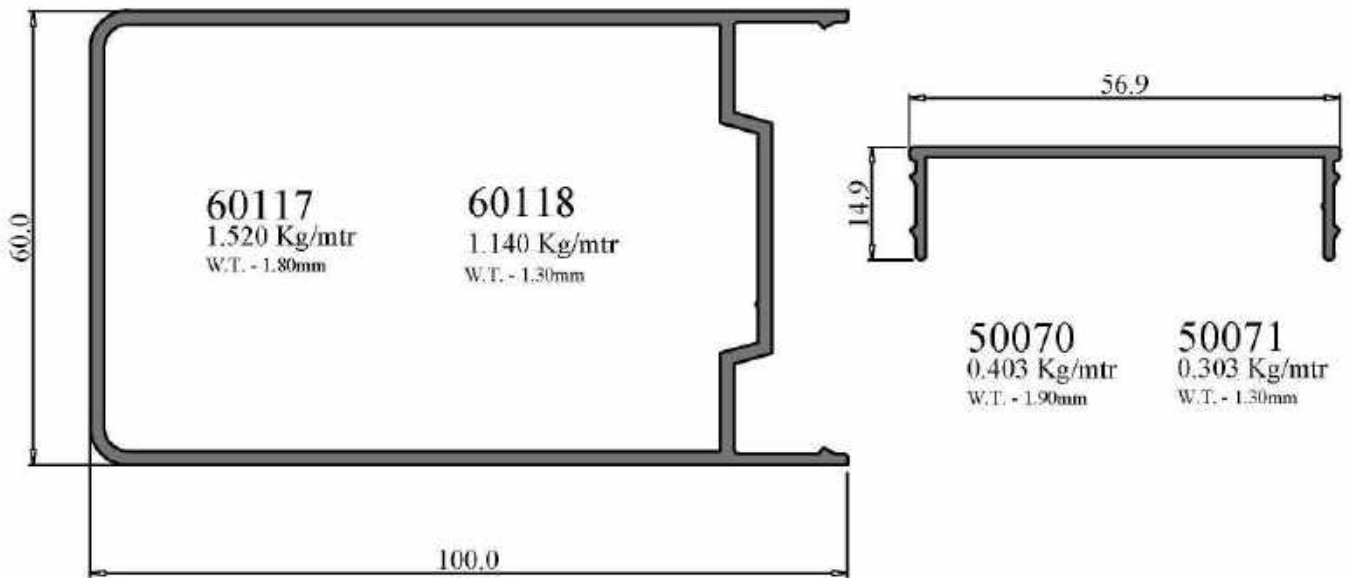
50069  
0.417 Kg/mtr  
W.T. - 1.40mm

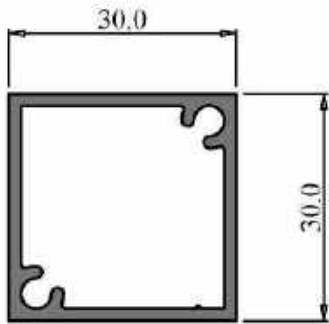


50106  
1.567 Kg/mtr  
W.T. - 3.00mm

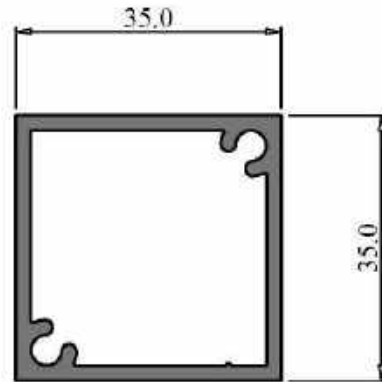


# HANDRAILS & BALUSTRADES

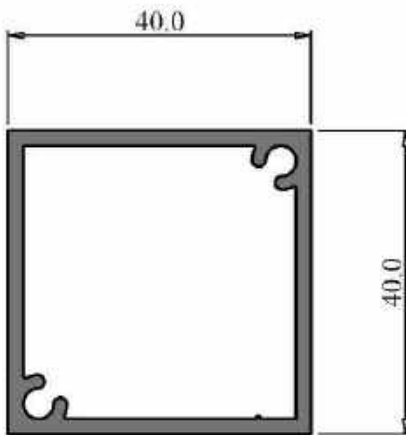




**60120**  
0.546 Kg/mtr  
W.T. - 1.60mm



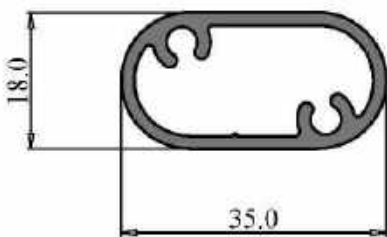
**60121**  
0.765 Kg/mtr  
W.T. - 1.95mm



**60122**  
0.881 Kg/mtr  
W.T. - 2.00mm

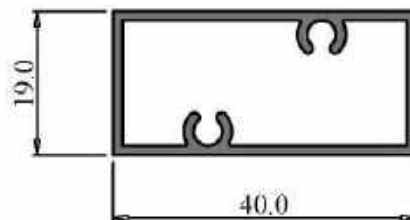


**20087**  
1.942Kg/mtr  
W.T. - 2.50mm



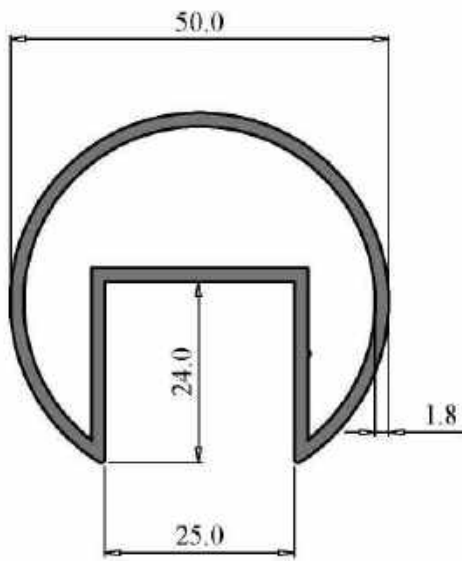
**60123**  
0.488 Kg/mtr  
W.T. - 1.70mm

**60124**  
0.363 Kg/mtr  
W.T. - 1.20mm

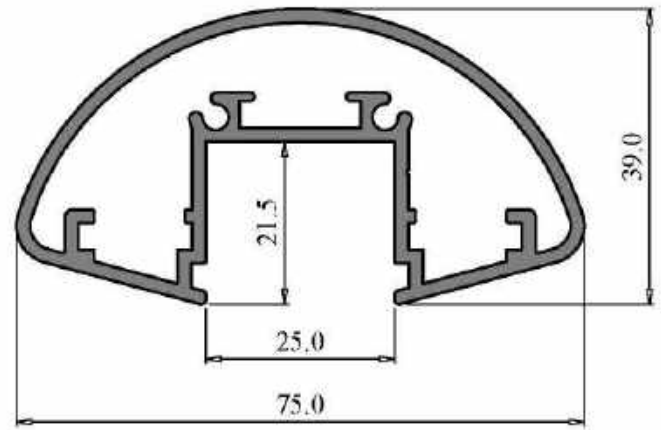


**20189**  
0.434 Kg/mtr  
W.T. - 1.20mm

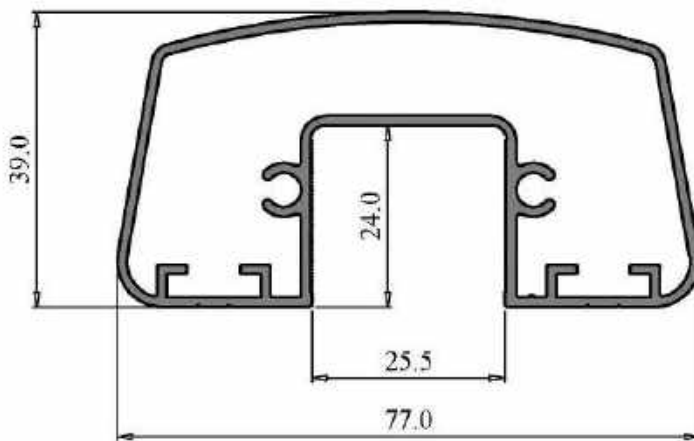




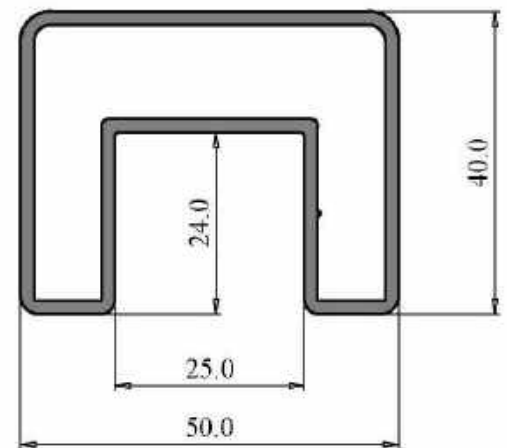
**60173**  
0.957 Kg/mtr  
W.T. - 1.80mm



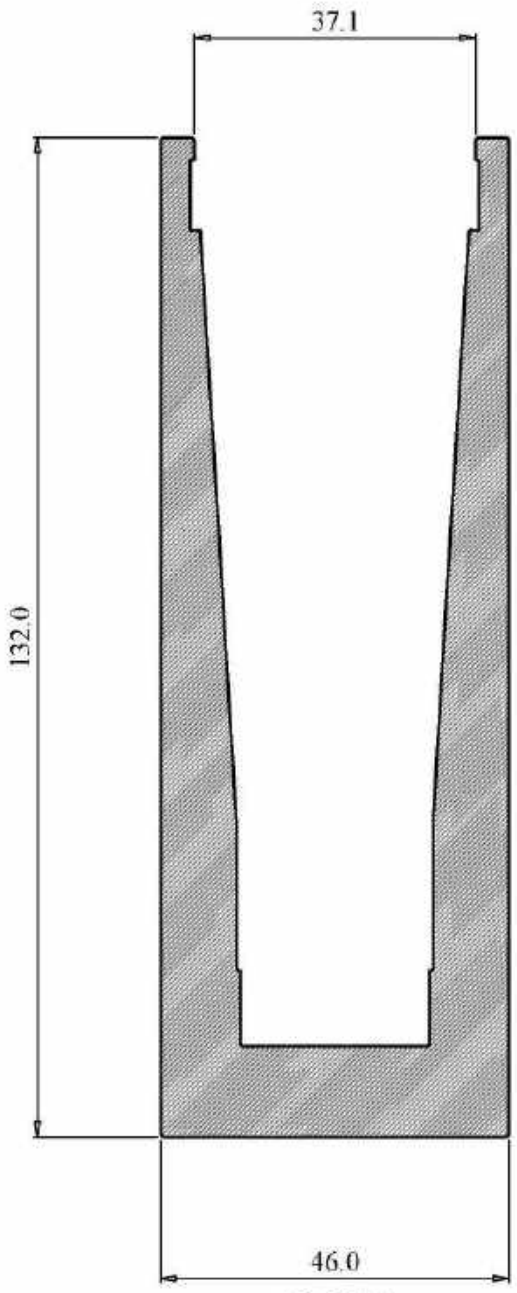
**60176**  
1.276 Kg/mtr  
W.T. - 1.80mm



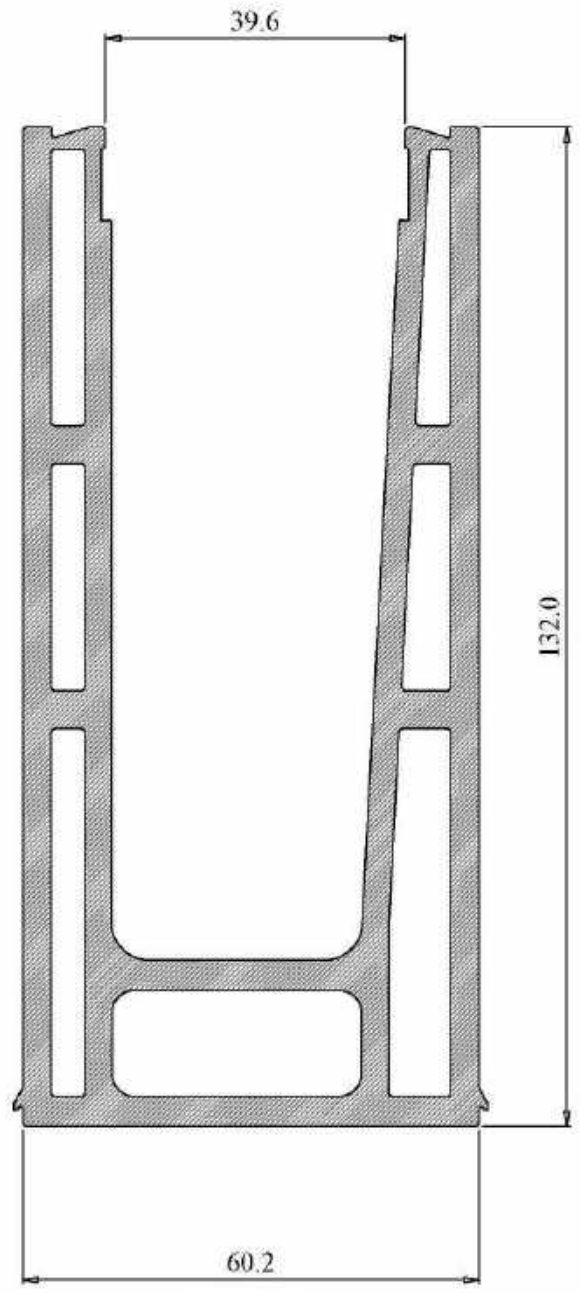
**60175**  
1.060 Kg/mtr  
W.T. - 1.50mm



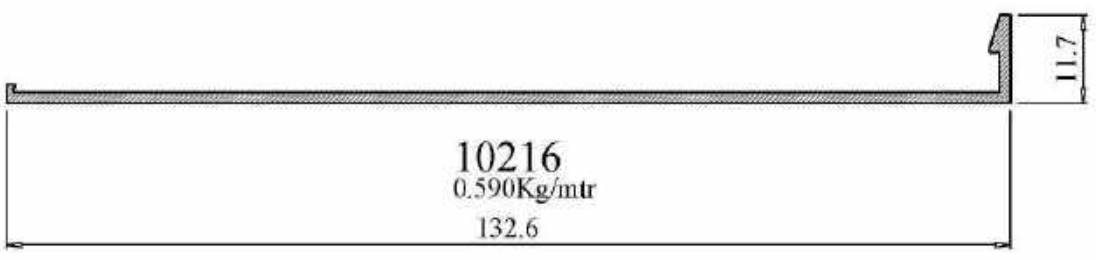
**60174**  
1.047 Kg/mtr  
W.T. - 1.80mm



**10215**  
6.607 Kg/mtr

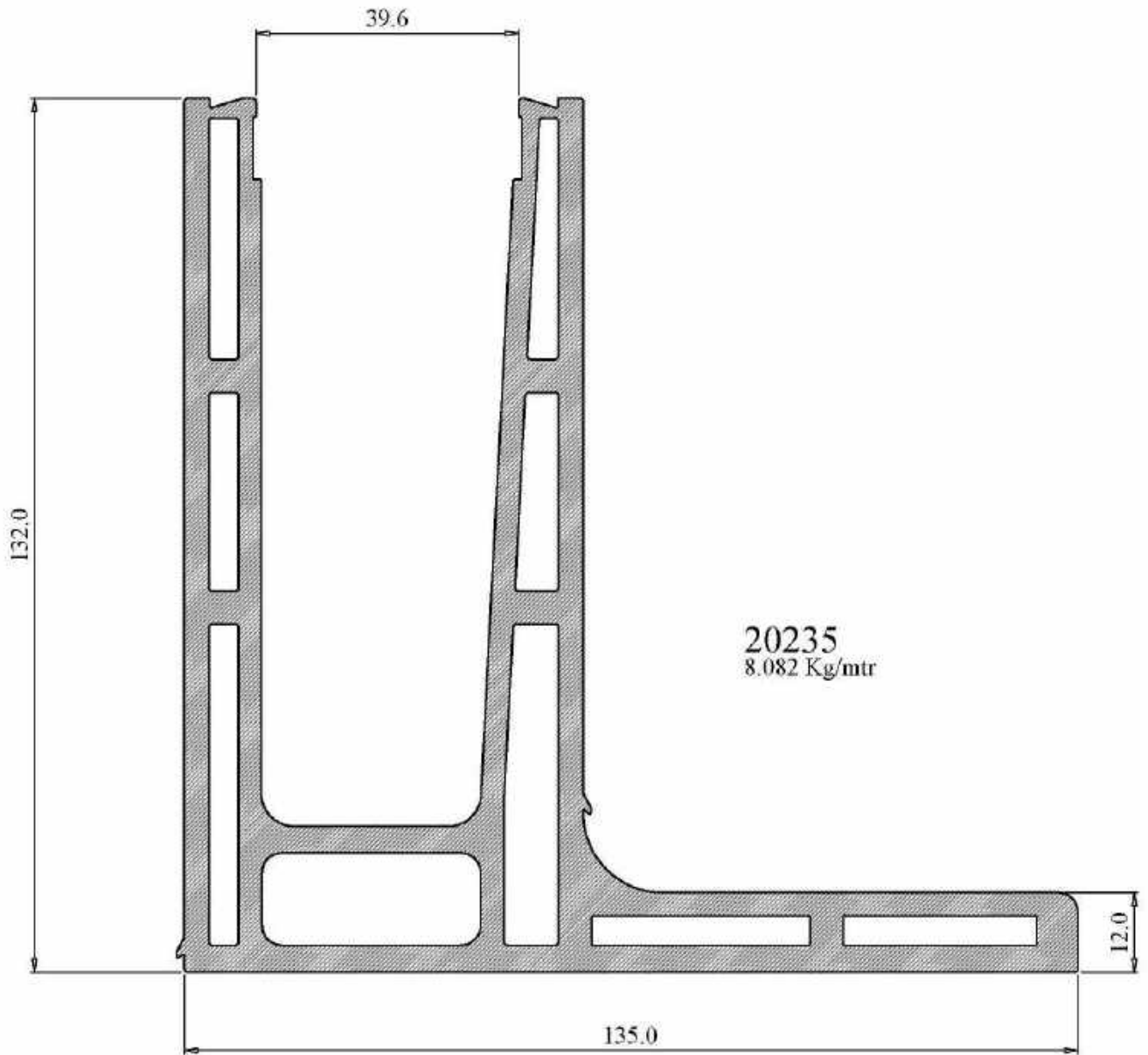


**20231**  
6.338 Kg/mtr

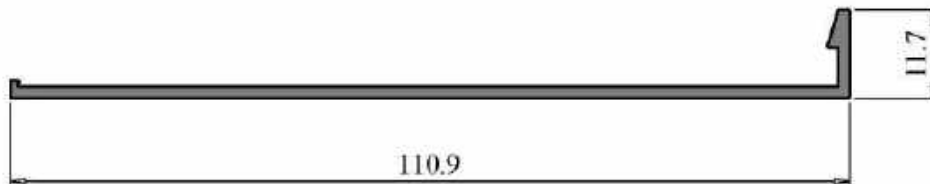


**10216**  
0.590Kg/mtr  
132.6

# HANDRAILS & BALUSTRADE

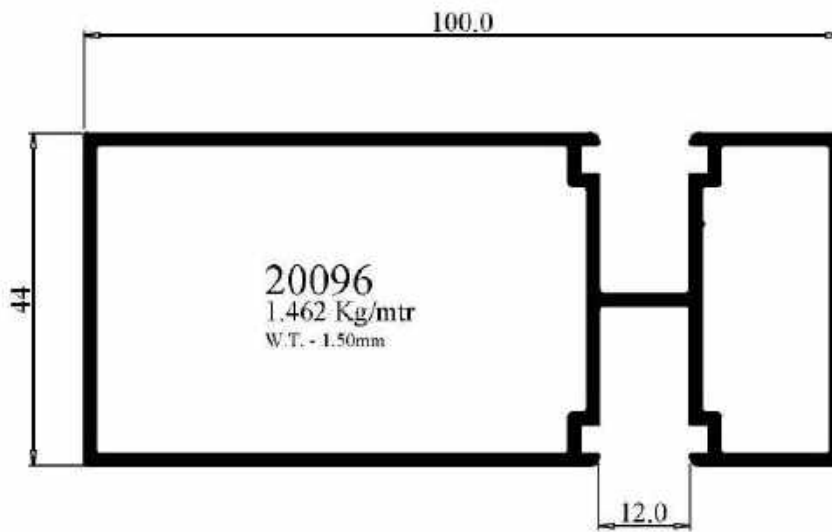


10217  
0.502 Kg/mtr





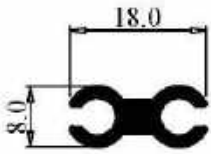
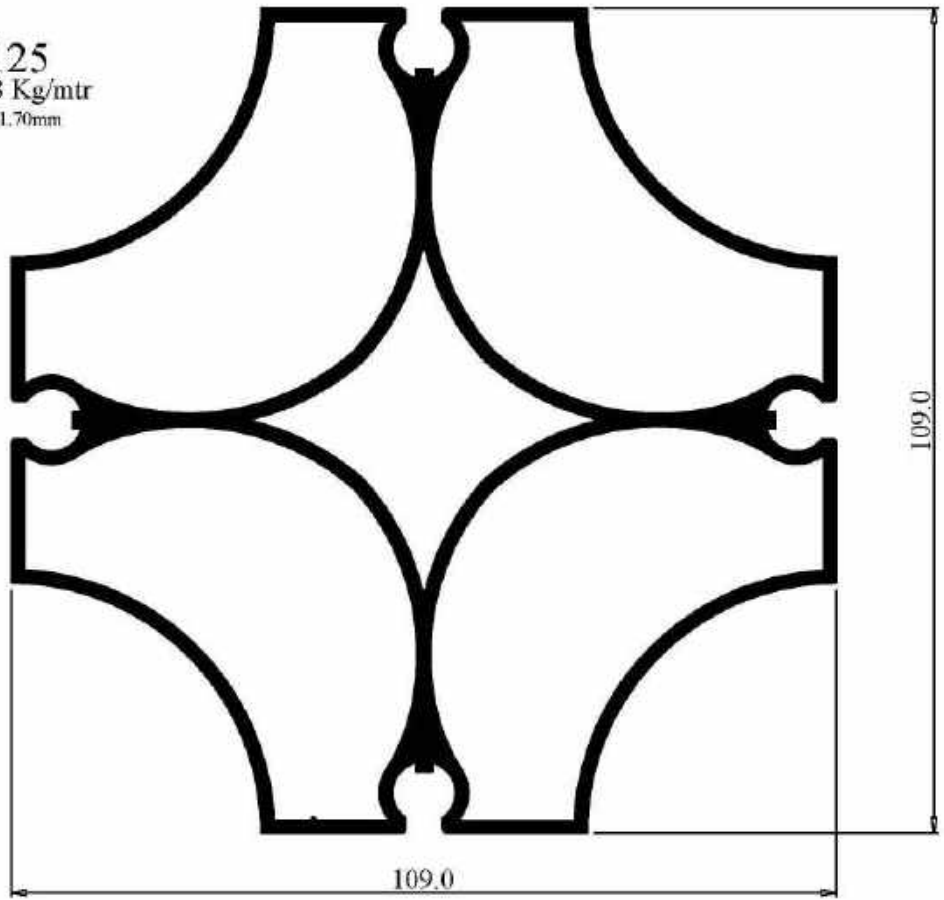
# FIXED LIGHTS PROFILES



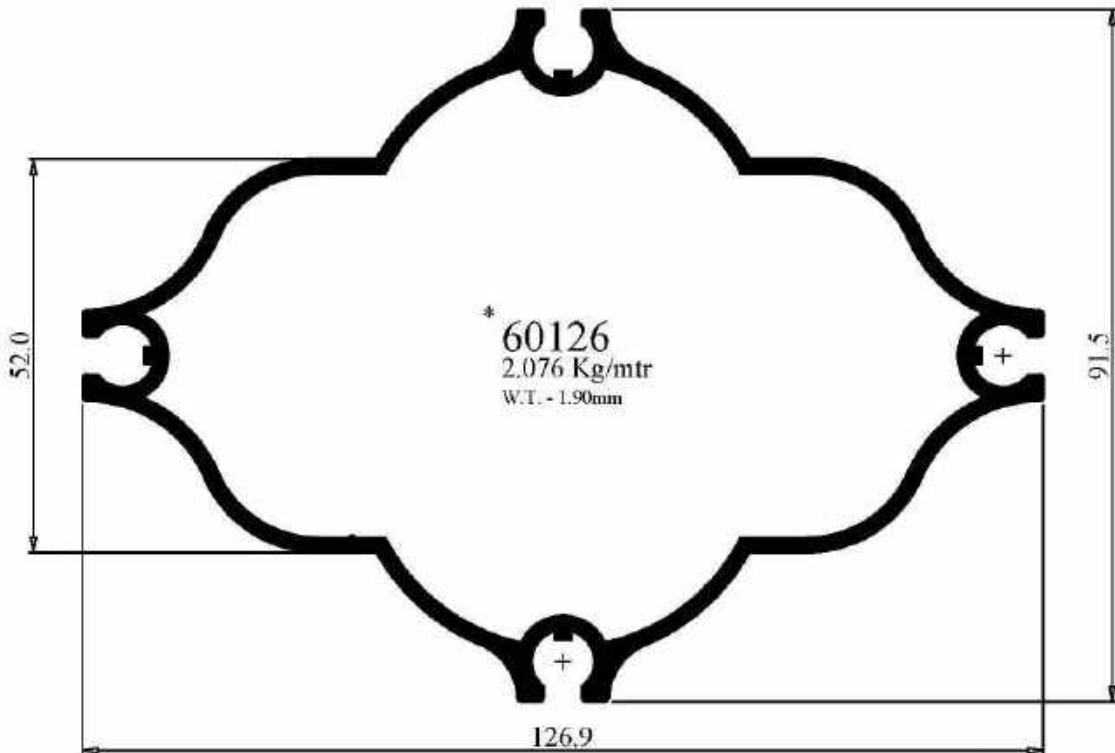


# CLAUSTRA PROFILES

\* 60125  
3.288 Kg/mtr  
W.T. - 1.70mm



\* 50075  
0.181 Kg/mtr  
W.T. - 1.50mm



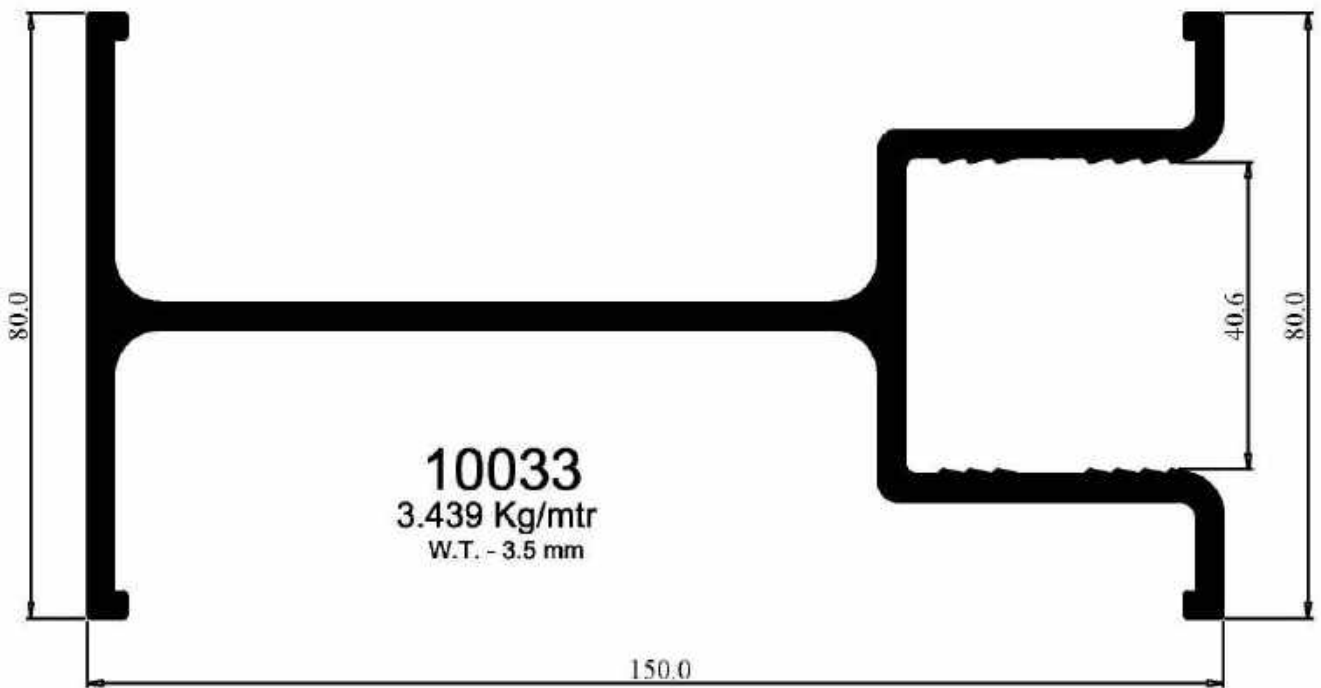
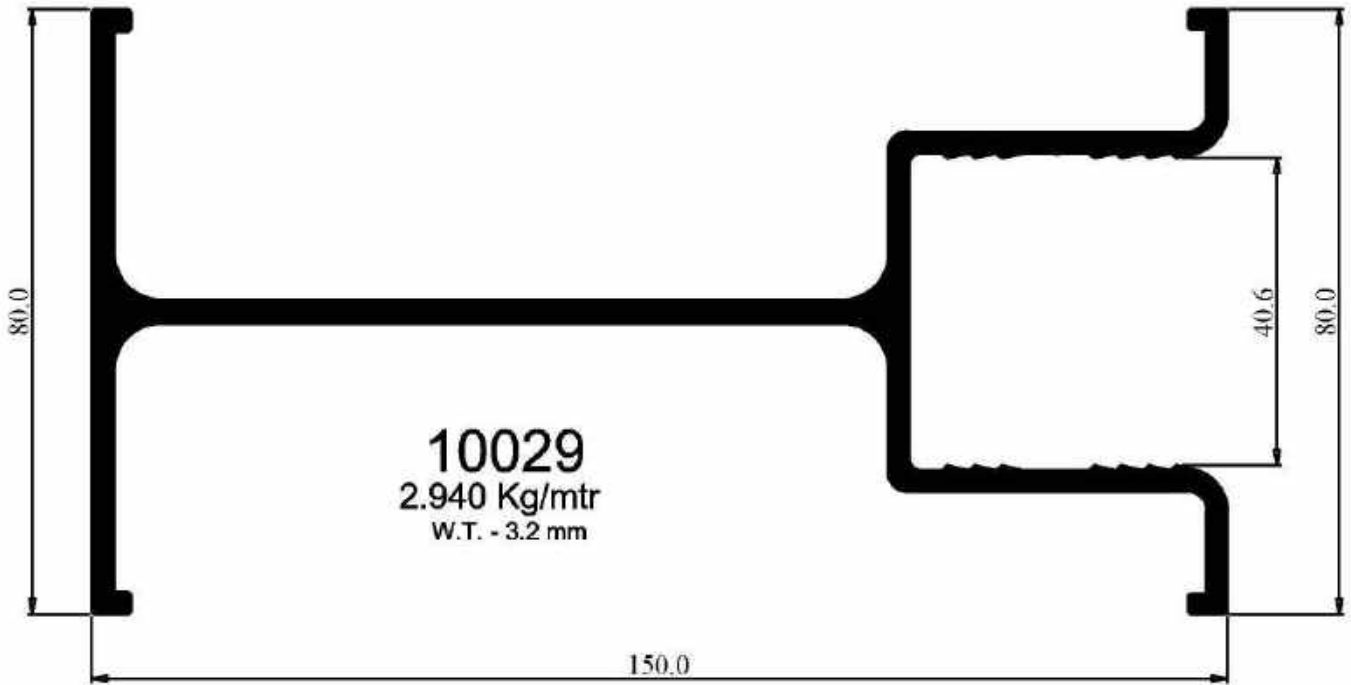
\* 60126  
2.076 Kg/mtr  
W.T. - 1.90mm

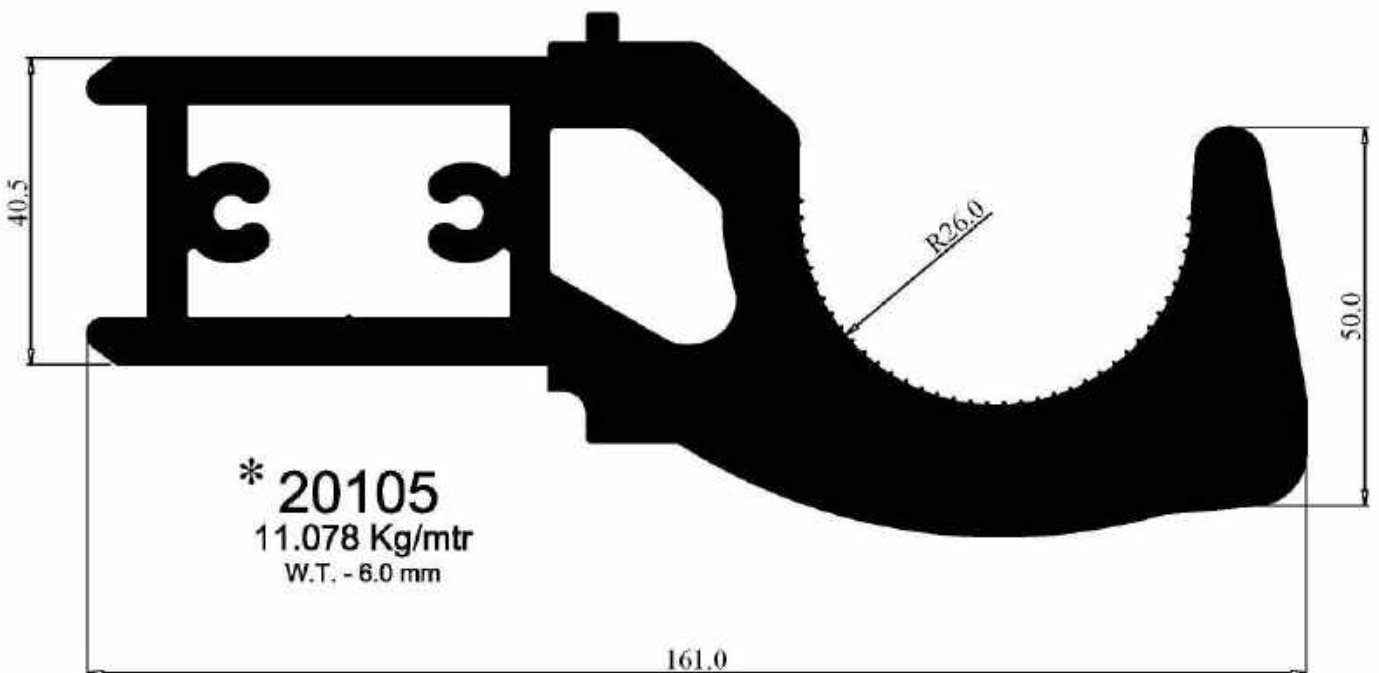
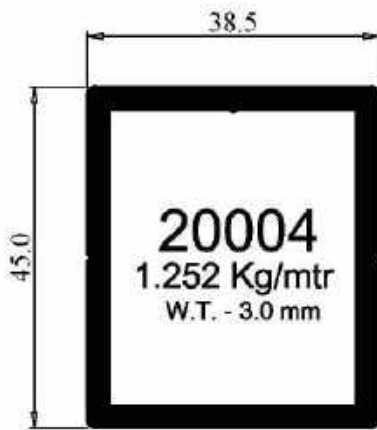
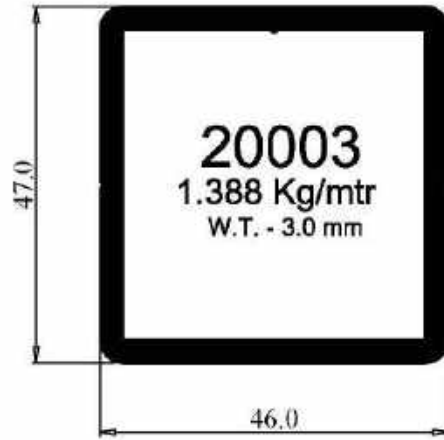
\* Die under development



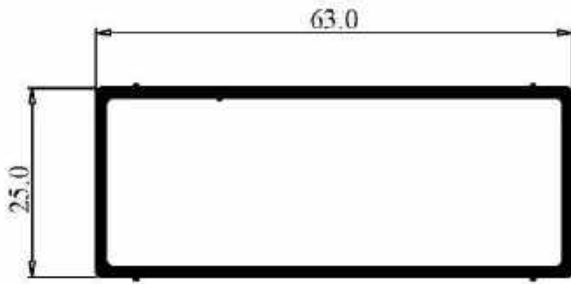
# SCAFFOLDING PROFILES



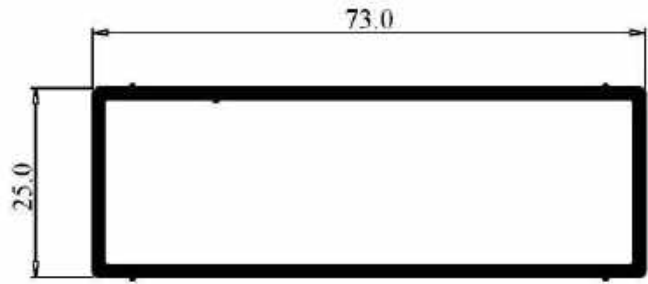




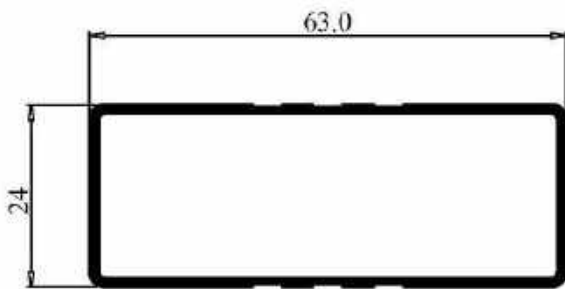
# SCAFFOLDING PROFILES



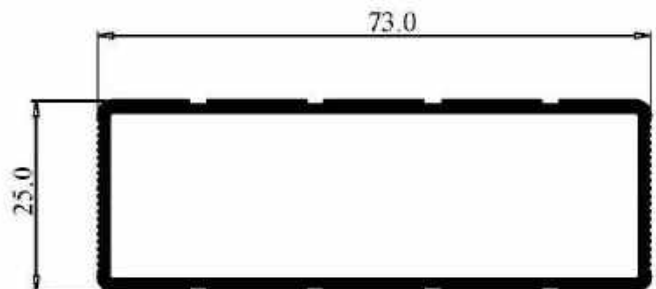
**\* 20099**  
0.602 Kg/mtr  
W.T. - 1.30 mm



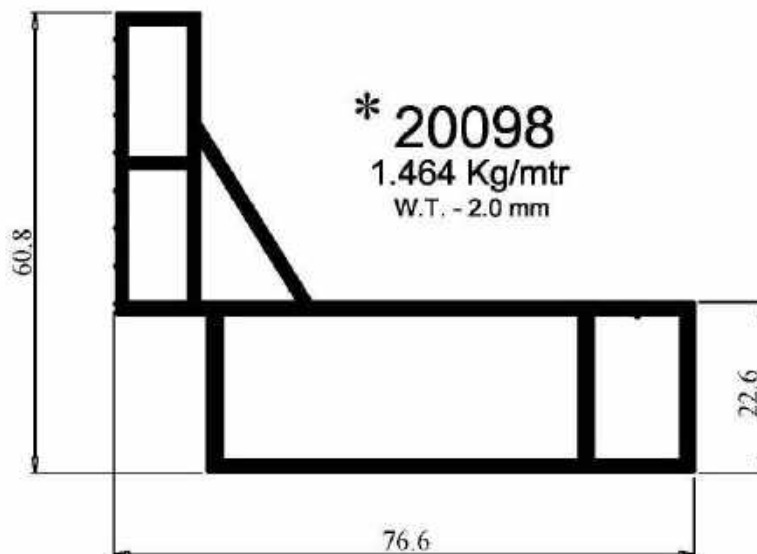
**20103**  
0.766Kg/mtr  
W.T. - 1.50 mm



**20115**  
0.521 Kg/mtr  
W.T. - 1.20 mm

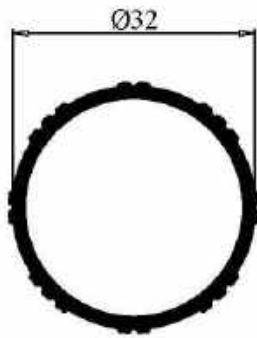


**20126**  
0.705 Kg/mtr  
W.T. - 1.50mm



**\* 20098**  
1.464 Kg/mtr  
W.T. - 2.0 mm

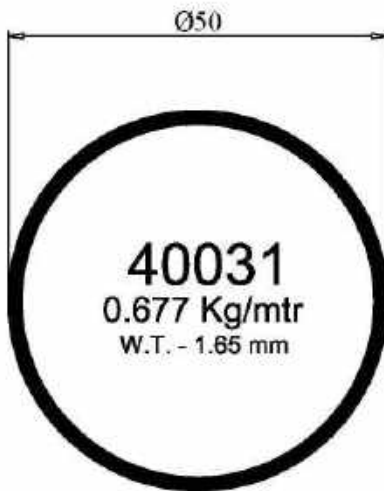
\* Die under development



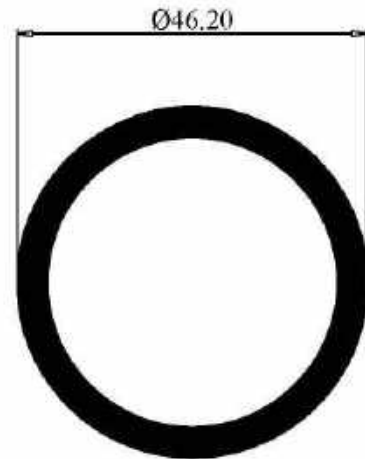
**60163**  
0.429 Kg/mtr  
W.T. - 1.50 mm



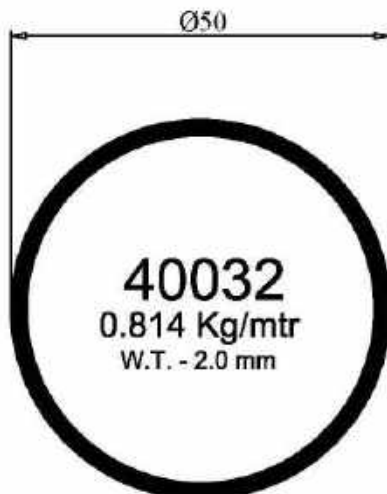
**40063**  
1.007 Kg/mtr  
W.T. - 2.5 mm



**40031**  
0.677 Kg/mtr  
W.T. - 1.65 mm

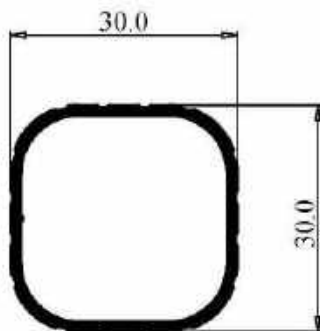
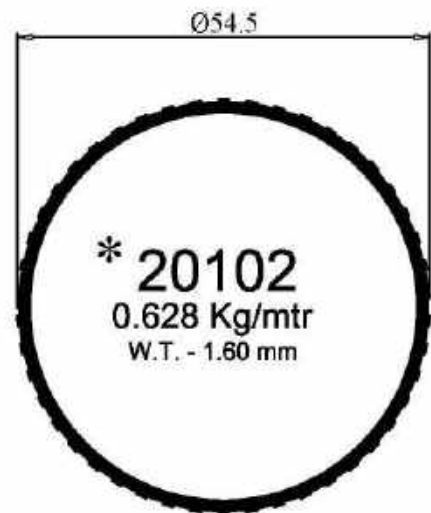
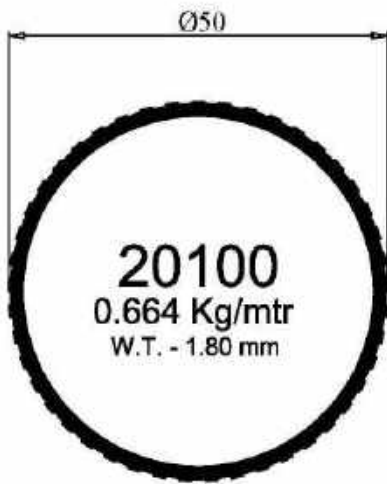
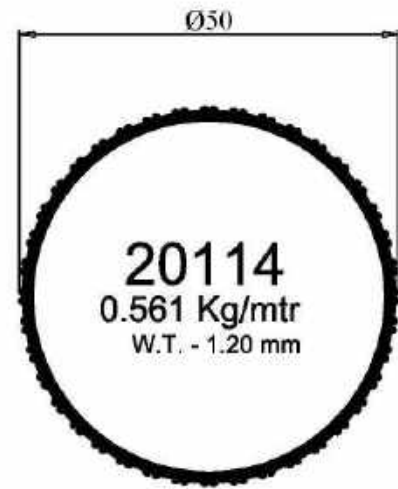


**40060**  
1.399 Kg/mtr  
W.T. - 3.9 mm

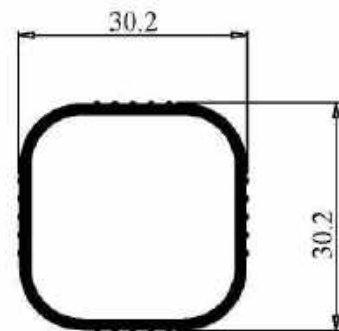


**40032**  
0.814 Kg/mtr  
W.T. - 2.0 mm

# SCAFFOLDING PROFILES



\* **20104**  
0.360 Kg/mtr  
W.T. - 1.40 mm

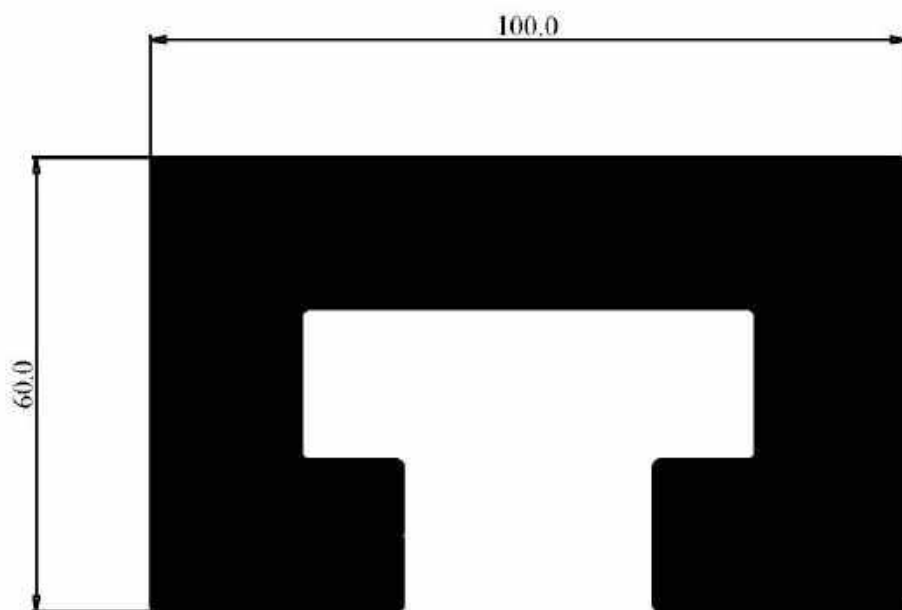


**20116**  
0.335 Kg/mtr  
W.T. - 1.20 mm

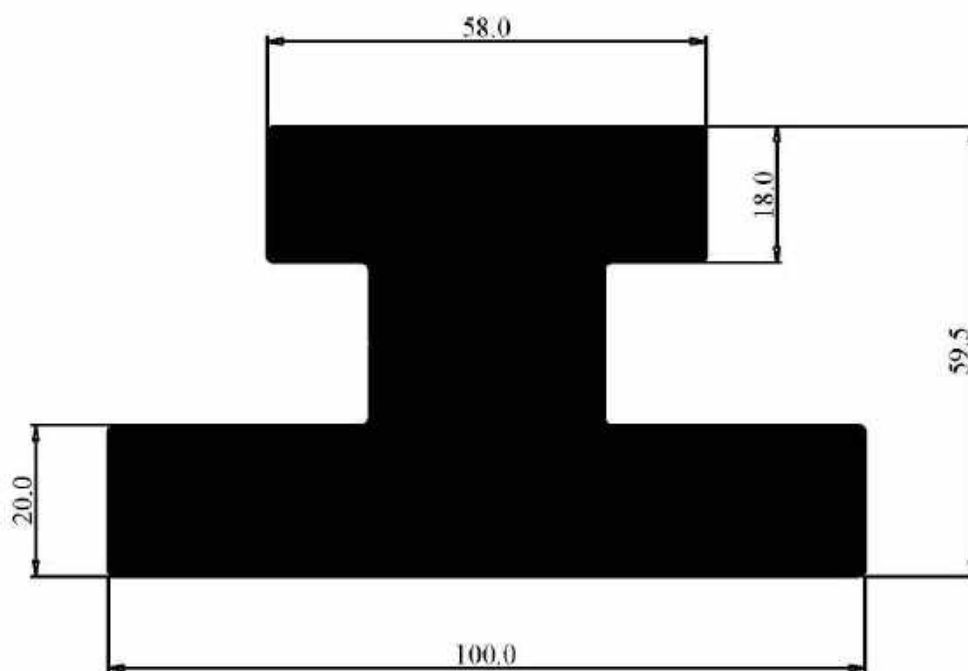
\* Die under development



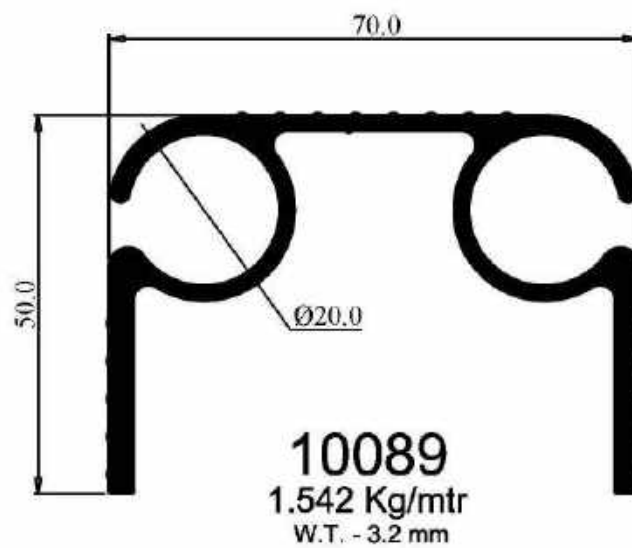
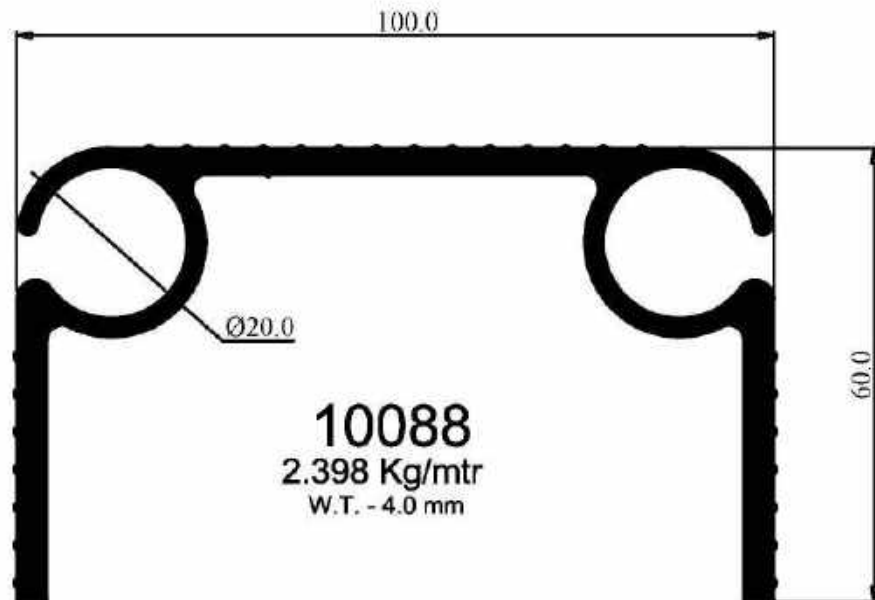
# TENT PROFILES



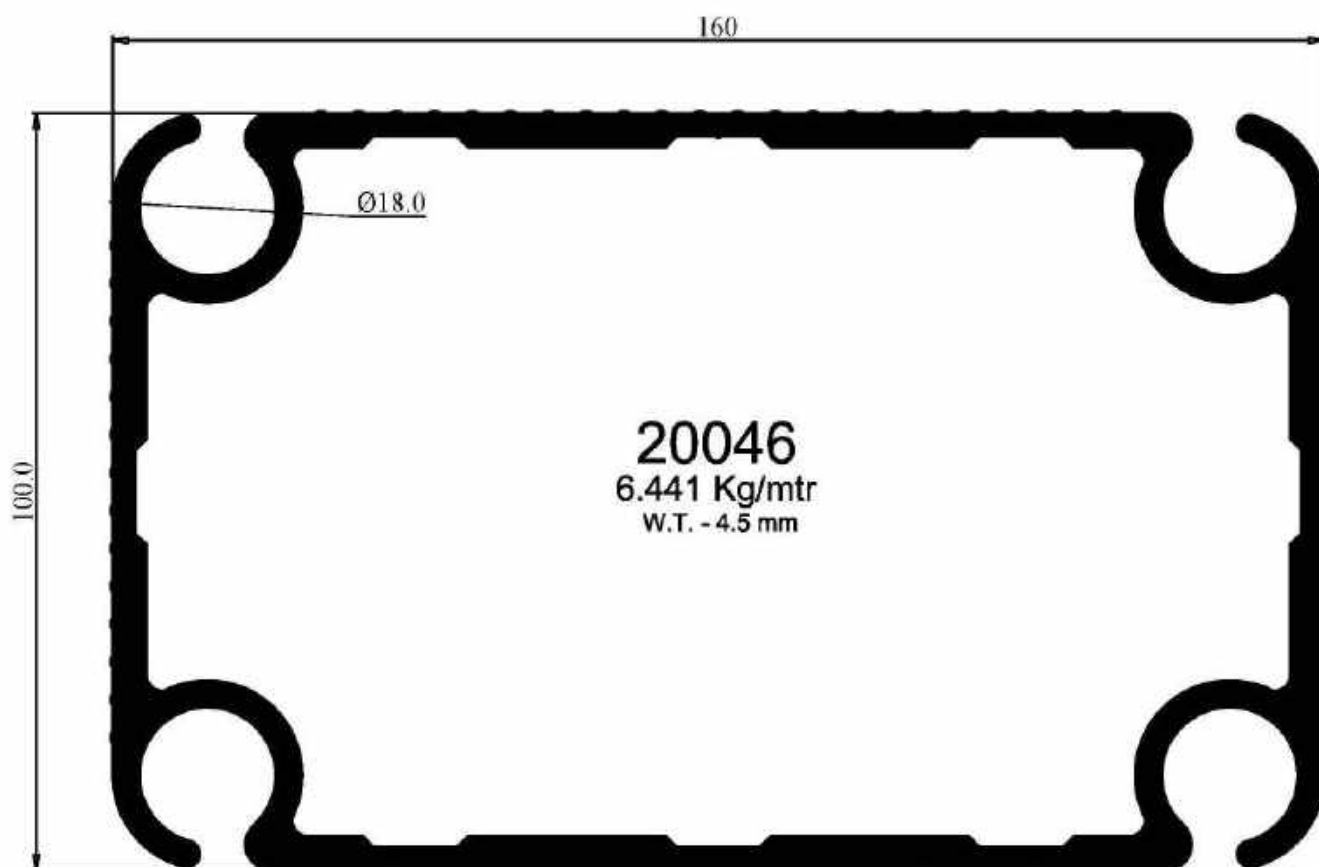
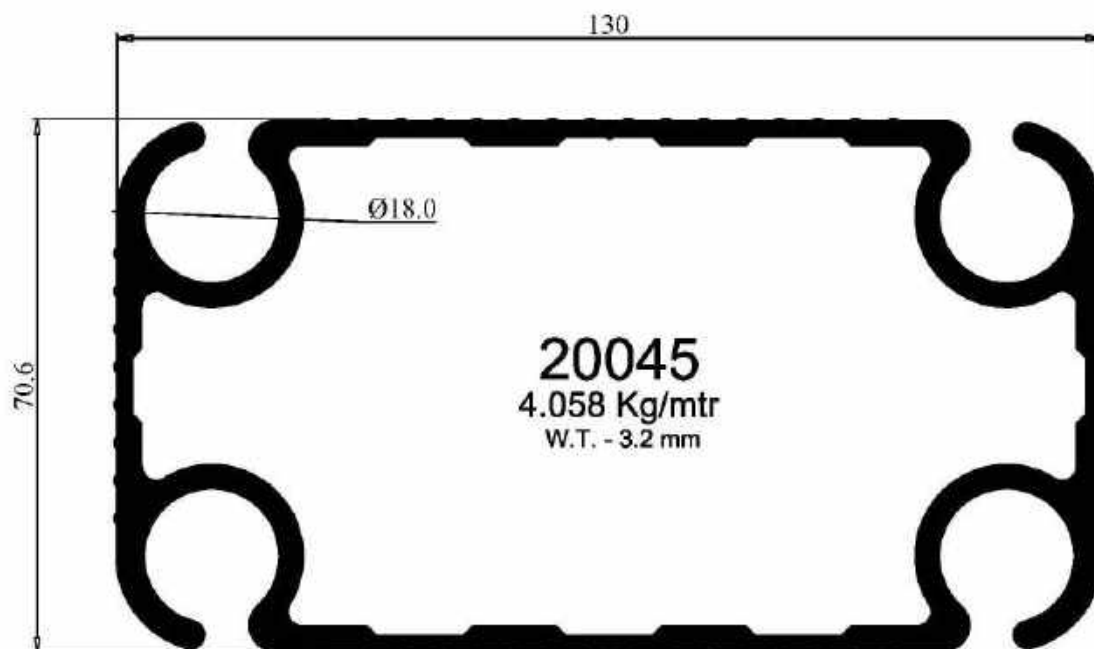
**10070**  
11.216 Kg/mtr  
W.T. - 20.0 mm

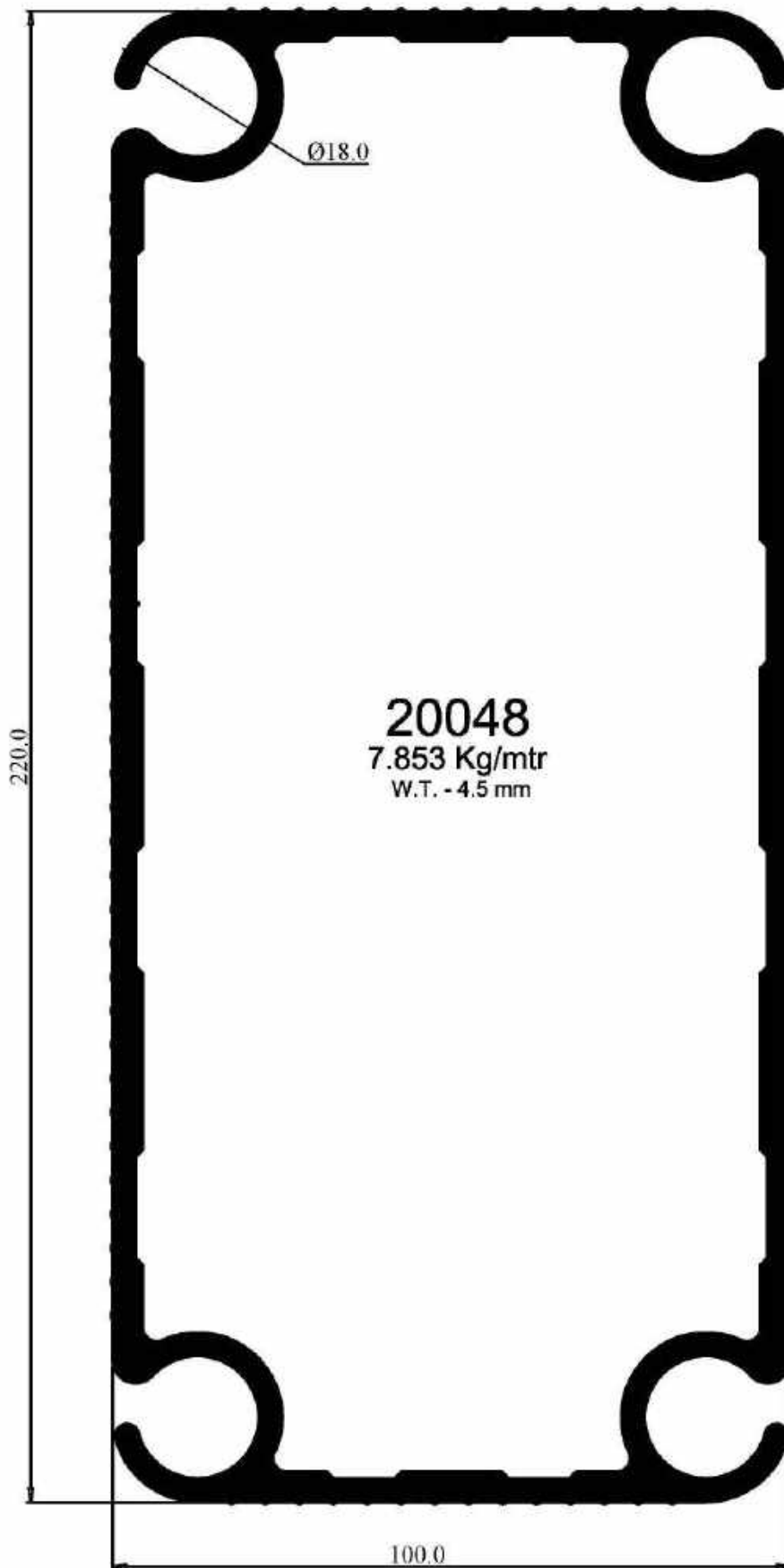


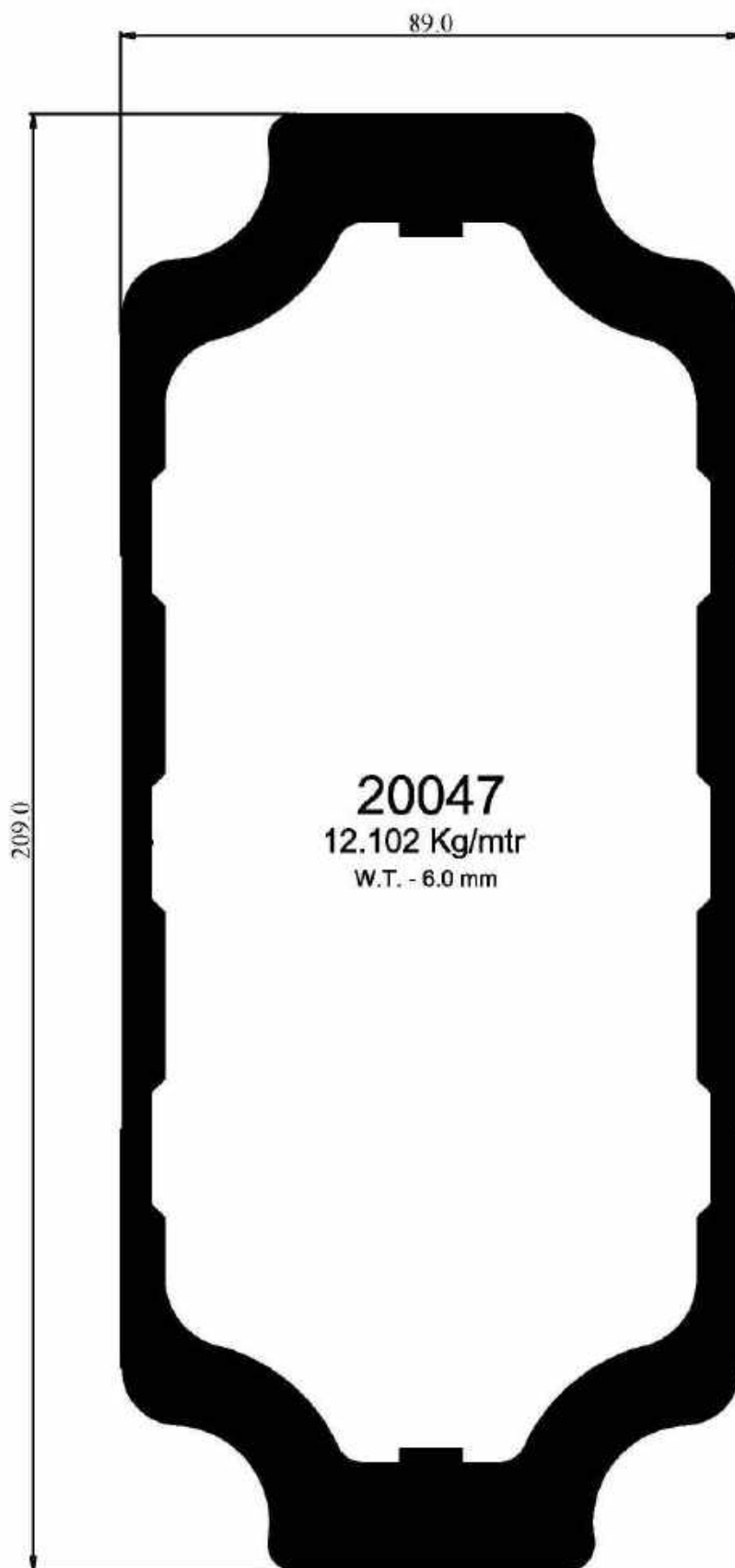
**10071**  
10.051 Kg/mtr  
W.T. - 20.0 mm

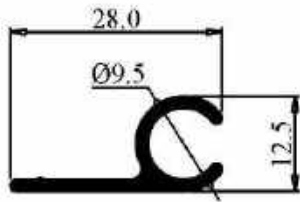




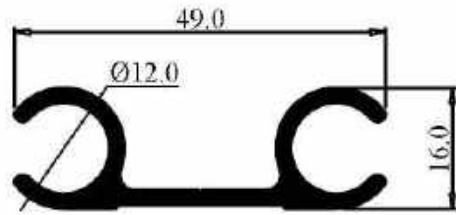




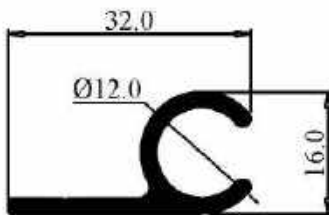




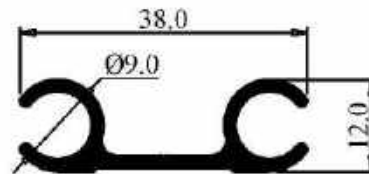
**50097**  
0.203 Kg/mtr  
W.T. - 1.40 mm



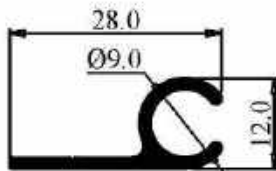
**10103**  
0.563 Kg/mtr  
W.T. - 2.0 mm



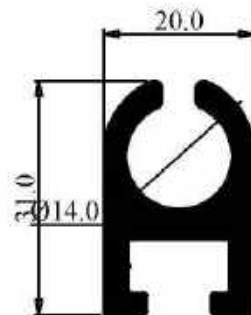
**10104**  
0.317 Kg/mtr  
W.T. - 2.0 mm



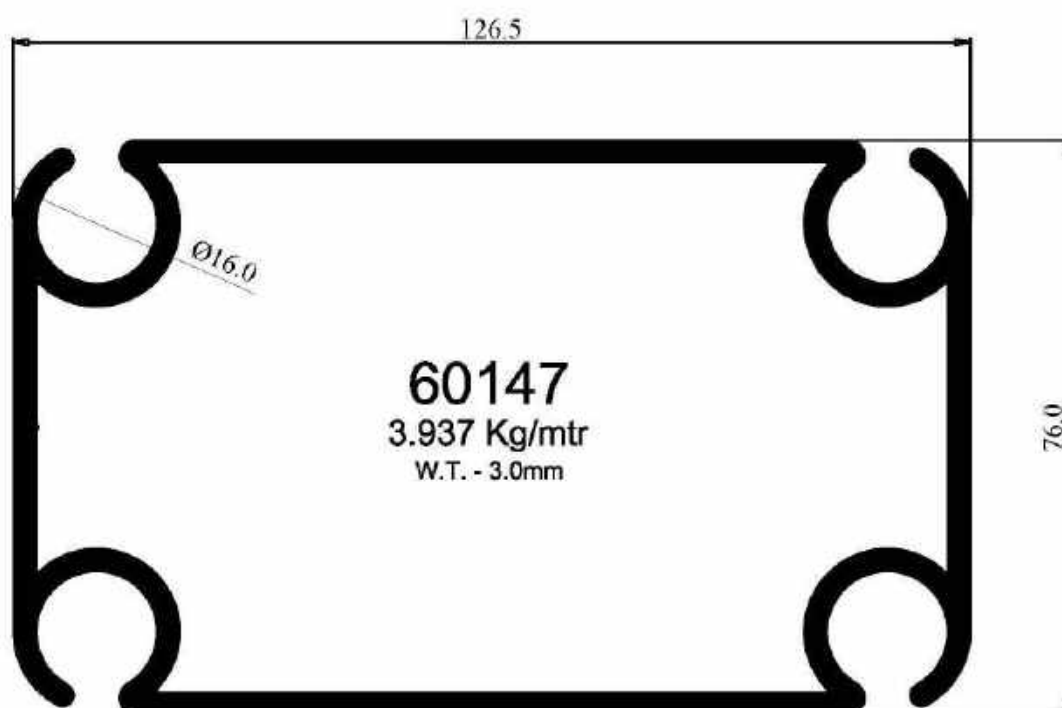
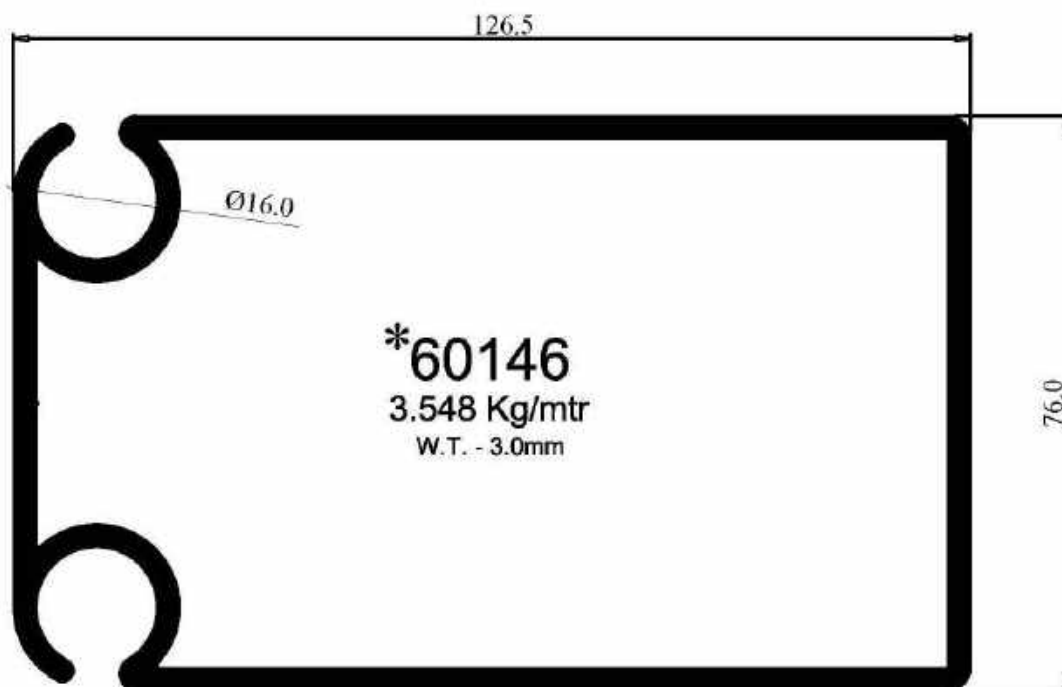
**10105**  
0.327 Kg/mtr  
W.T. - 1.50mm



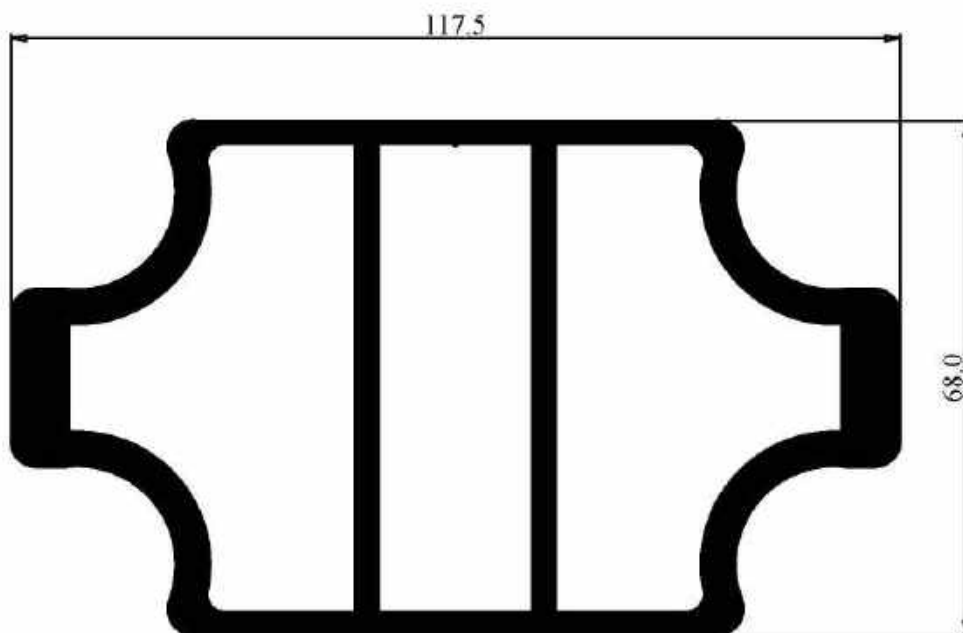
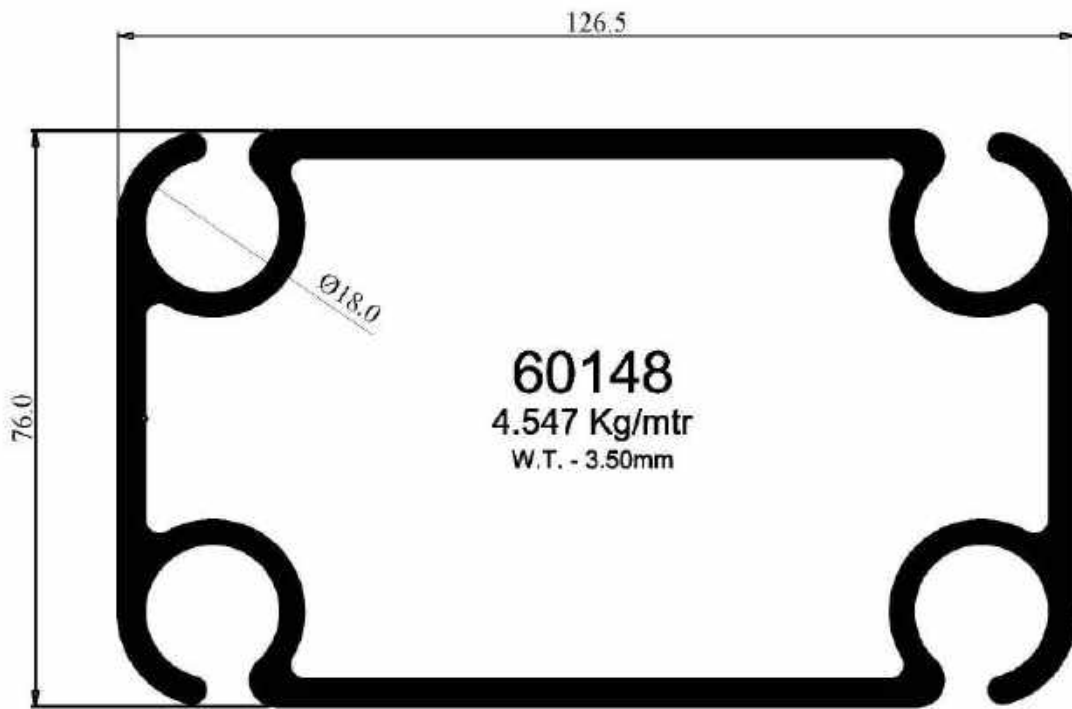
**10106**  
0.197 Kg/mtr  
W.T. - 1.50 mm



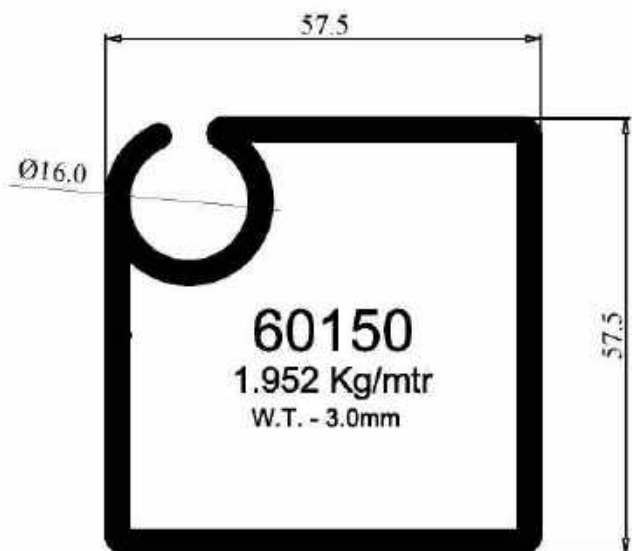
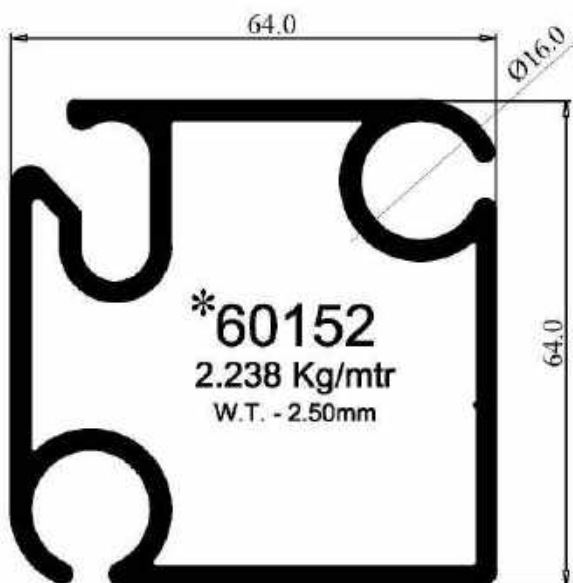
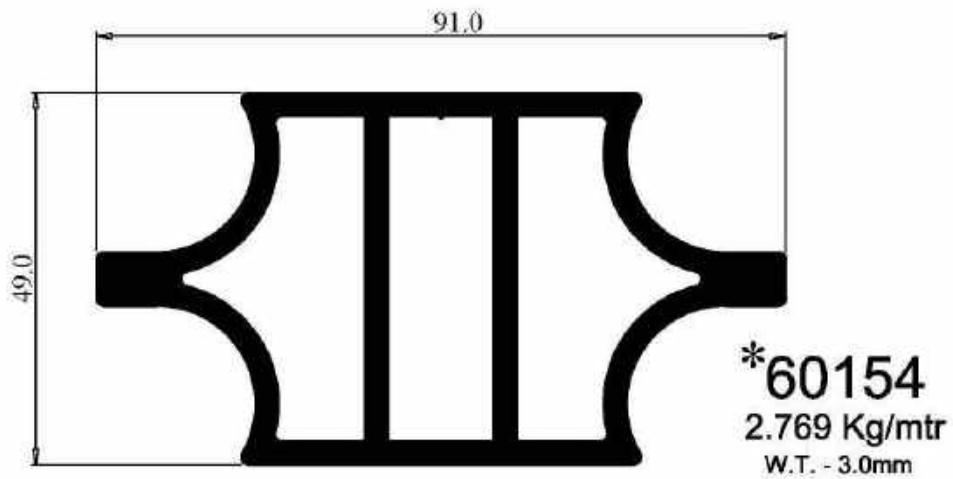
**10091**  
0.797 Kg/mtr  
W.T. - 3.0 mm



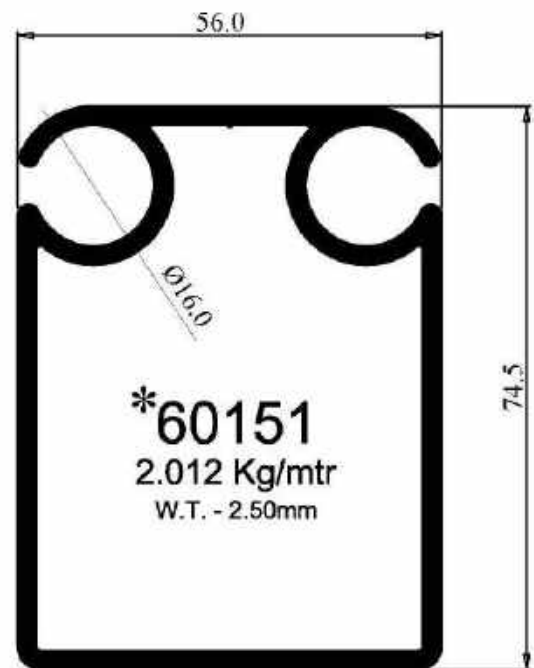
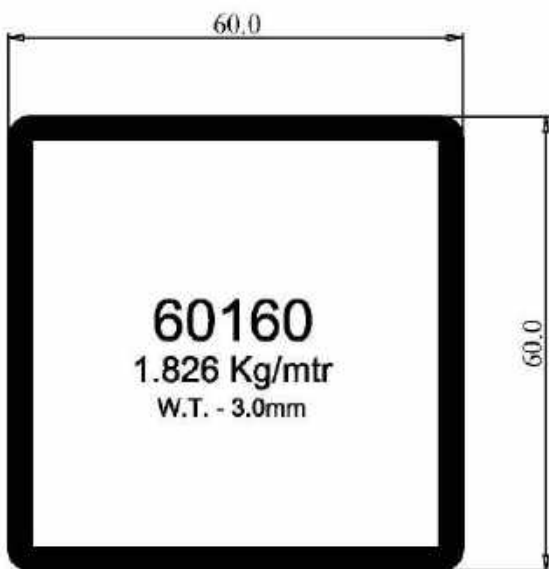
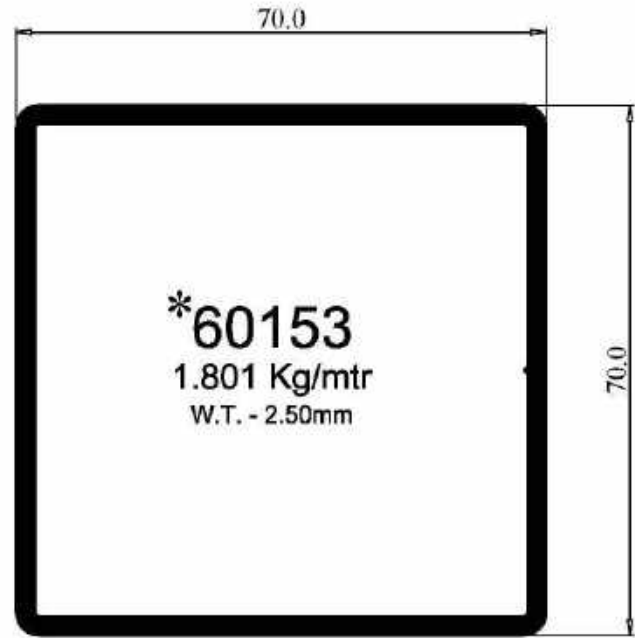
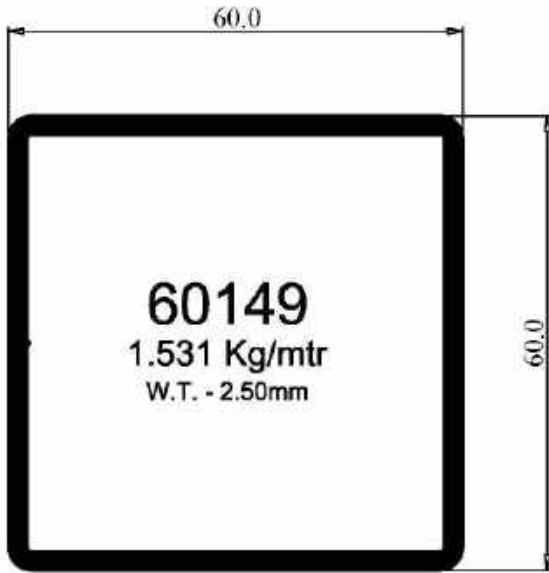
\* Die under development



\* Die under development



\* Die under development



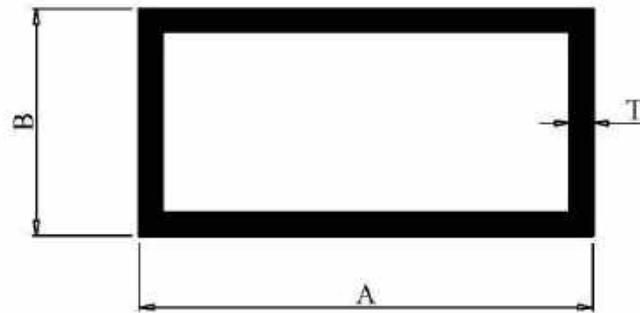
\* Die under development







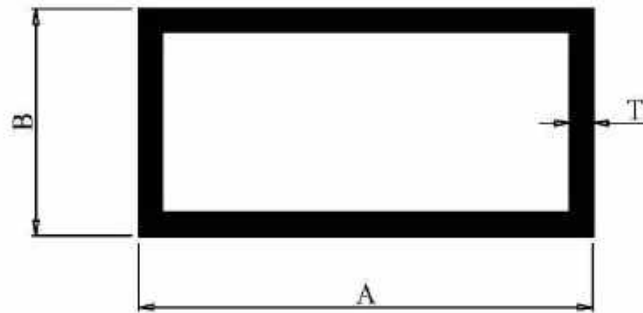
# STANDARD PROFILES



Sl.	SEC NO.	Description			WEIGHT kg/mtr
		A	B	T	
01.	40001	20.00	10.00	1.50	0.219
02.	40041	40.00	20.00	1.00	0.313
* 03.	40044	40.00	20.00	1.10	0.343
04.	40002	40.00	20.00	1.50	0.462
05.	40003	40.00	20.00	1.80	0.548
06.	40004	40.00	20.00	3.00	0.875
07.	40005	50.00	20.00	1.80	0.645
08.	40006	50.00	25.00	1.80	0.694
09.	40088	50.00	25.00	2.00	0.767
* 10.	40045	60.00	40.00	1.10	0.580
* 11.	40046	80.00	40.00	1.10	0.699
12.	40007	80.00	40.00	1.50	0.948
13.	40008	80.00	40.00	2.00	1.253
14.	40009	80.00	50.00	2.00	1.361
15.	40081	80.00	50.00	3.20	2.136
16.	40010	100.00	20.00	2.00	1.253
17.	40037	100.00	25.00	1.50	0.989
18.	40076	100.00	30.00	2.00	1.361
19.	40069	100.00	30.00	2.50	1.687
20.	40042	100.00	40.00	1.00	0.745
21.	40011	100.00	40.00	1.20	0.892
22.	40012	100.00	40.00	1.40	1.037
23.	40013	100.00	40.00	2.00	1.469
* 24.	40062	100.00	50.00	1.50	1.191
25.	40014	100.00	50.00	2.00	1.577
26.	40074	100.00	50.00	2.50	1.957

Sl.	SEC NO.	Description			WEIGHT kg/mtr
		A	B	T	
27.	40083	100.00	50.00	3.00	2.333
* 28.	40066	100.00	50.00	3.50	2.703
* 29.	40038	120.00	60.00	1.60	1.527
30.	40015	150.00	50.00	2.00	2.117
31.	40039	150.00	50.00	3.00	3.143
32.	40036	150.00	60.00	4.00	4.363
33.	40094	150.00	100.00	2.00	2.657
34.	40058	150.00	100.00	2.20	2.918
35.	40016	150.00	100.00	2.40	3.178
36.	40073	175.00	60.00	5.00	6.075
37.	40072	175.00	80.00	5.00	6.615
38.	40017	200.00	50.00	2.00	2.657
* 39.	40057	200.00	100.00	2.40	3.826
40.	40018	200.00	50.00	3.00	3.953
41.	40035	200.00	80.00	3.00	4.442
* 42.	40100	150.00	50.00	2.50	2.633
* 43.	40101	50.00	20.00	3.20	1.099
44.	40102	50.00	25.00	3.00	1.188
45.	40105	40.00	20.00	2.00	0.605
46.	40106	200.00	50.00	5.00	6.480
* 47.	40107	80.00	15.00	0.75	0.378
48.	40108	100.00	40.00	3.00	2.170
49.	40109	80.00	40.00	3.00	1.847
50.	40110	90.00	40.00	2.00	1.361
* 51.	40114	75.00	50.00	3.00	1.928
* 52.	40115	150.00	50.00	4.00	4.148

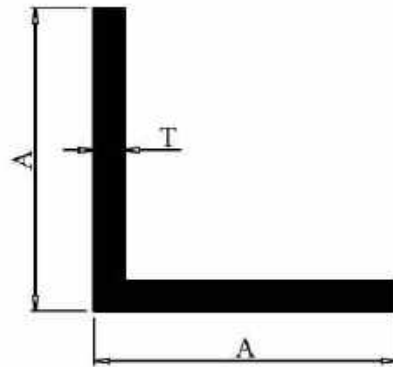
\* Die under development



Sl.	SEC NO.	Description			WEIGHT kg/mtr
		A	B	T	
* 53.	40116	80.00	20.00	2.00	1.037
54.	40117	120.00	30.00	2.00	1.577
* 55.	40118	120.00	30.00	3.00	2.333
56.	40119	150.00	100.00	3.00	3.953
56.	40120	150.00	50.00	1.80	1.909

Sl.	SEC NO.	Description			WEIGHT kg/mtr
		A	B	T	

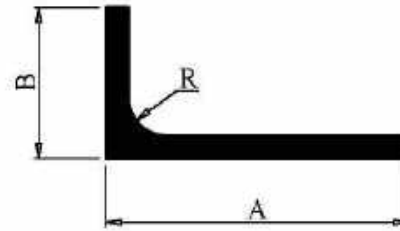
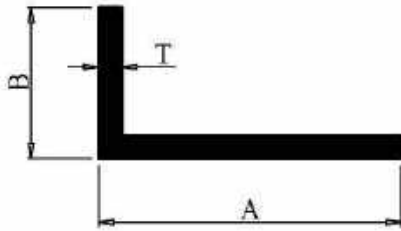
\* Die under development



Sl.	SEC NO.	Description(mm)		WEIGHT kg/mtr
		A	T	
* 01.	30039	15.00	1.00	0.078
* 02.	30052	15.00	1.10	0.085
03.	30038	20.00	1.00	0.105
04.	30002	20.00	1.50	0.156
* 05.	30048	25.00	1.00	0.135
* 06.	30053	25.00	1.10	0.145
07.	30003	25.00	2.00	0.259
08.	30004	25.00	3.00	0.381
* 09.	30049	30.00	1.00	0.159
* 10.	30054	30.00	1.10	0.175
* 11.	30040	30.00	1.20	0.192
12.	30005	30.00	1.50	0.237
13.	30006	30.00	2.00	0.313
14.	30007	30.00	2.50	0.388
15.	30008	30.00	3.00	0.462
* 16.	30050	40.00	1.00	0.213
* 17.	30055	40.00	1.10	0.242
18.	30009	40.00	1.50	0.318
19.	30010	40.00	2.00	0.421
20.	30011	40.00	3.00	0.624
21.	30012	40.00	4.00	0.821
22.	30013	50.00	2.00	0.529
23.	30014	50.00	3.00	0.786
24.	30015	50.00	4.00	1.037
25.	30016	50.00	5.00	1.283
26.	30017	75.00	2.00	0.799

Sl.	SEC NO.	Description		WEIGHT kg/mtr
		A	T	
27.	30018	75.00	5.00	1.958
28.	30044	80.00	8.00	3.283
29.	80310	20.00	1.05	0.110
30.	30077	20.00	1.80	0.186
31.	30081	50.00	6.00	1.523
* 32.	30084	60.00	6.00	1.847
* 33.	30086	75.00	3.00	1.190
* 34.	30087	80.00	4.00	1.684
* 35.	30088	30.00	3.00	0.462
* 36.	30093	20.00	3.00	0.300
* 37.	30094	20.00	2.00	0.205

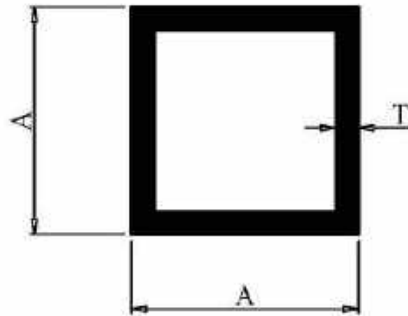
\* Die under development



Sl.	SEC NO.	Description			WEIGHT kg/mtr
		A	B	T	
01.	30019	30.00	20.00	1.50	0.196
02.	30051	40.00	20.00	1.00	0.159
03.	30056	40.00	20.00	1.10	0.175
04.	30020	40.00	20.00	2.00	0.313
05.	30042	40.00	30.00	3.50	0.629
06.	30021	50.00	20.00	2.00	0.367
07.	30060	60.00	40.00	3.00	0.786
08.	30022	75.00	50.00	2.00	0.664
09.	30023	75.00	50.00	4.00	1.307
10.	30061	80.00	40.00	3.00	0.948
11.	30064	80.00	50.00	6.35	2.120
12.	30024	100.00	50.00	4.00	1.577
13.	30062	100.00	40.00	3.00	1.110
14.	30043	100.00	50.00	5.00	1.957
15.	30063	120.00	40.00	3.00	1.272
16.	30073	30.00	13.00	3.00	0.324
17.	30078	80.00	50.00	1.80	0.623
18.	30089	30.00	50.00	3.00	0.624

Sl.	SEC NO.	Description			WEIGHT kg/mtr
		A	B	T	
01.	30066	100.00	60.00	8.00	3.341

\* Die under development



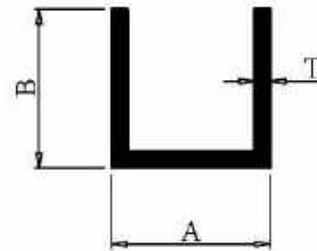
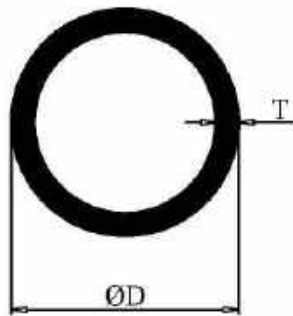
Sl.	SEC NO.	Description(mm)		WEIGHT kg/mtr
		A	T	
01.	40068	15.00	1.50	0.219
02.	40047	20.00	1.20	0.243
03.	40019	20.00	1.50	0.300
04.	40020	20.00	1.80	0.354
05.	40048	25.00	1.10	0.283
06.	40021	25.00	1.50	0.381
07.	40022	30.00	1.50	0.462
08.	40023	30.00	2.00	0.605
09.	40049	35.00	1.10	0.402
10.	40050	40.00	1.10	0.462
11.	40024	40.00	1.40	0.584
12.	40078	40.00	1.50	0.624
13.	40025	40.00	1.80	0.743
14.	40026	40.00	2.00	0.821
15.	40027	40.00	3.00	1.199
16.	40051	50.00	1.20	0.632
17.	40061	50.00	1.50	0.786
18.	40075	50.00	1.80	0.937
19.	40071	50.00	2.00	1.037
20.	40028	50.00	2.30	1.185
21.	40029	50.00	3.00	1.523
22.	40092	60.00	3.00	1.847
23.	40040	75.00	2.00	1.577
24.	40067	80.00	5.00	4.050
25.	40030	100.00	2.00	2.117
26.	40093	100.00	3.00	3.143
27.	40099	40.00	3.20	1.272

Sl.	SEC NO.	Description(mm)		WEIGHT kg/mtr
		A	T	
28.	40104	60.00	4.00	2.419
29.	40111	50.00	4.00	1.987
* 30.	40112	40.00	2.80	1.125
* 31.	40113	30.00	3.00	0.875
-	-	-	-	-
-	-	-	-	-
-	-	-	-	-
-	-	-	-	-
-	-	-	-	-
-	-	-	-	-
-	-	-	-	-

\* Die under development

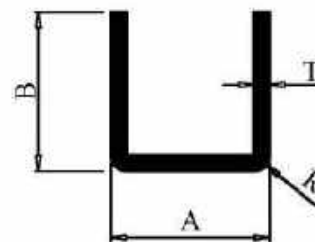


# STANDARD PROFILES



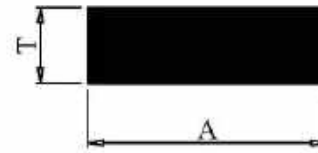
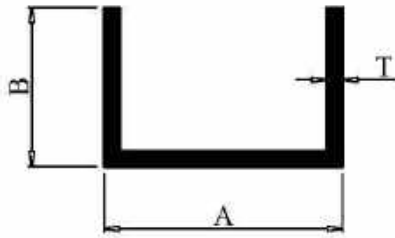
Sl.	SEC NO.	Description(mm)		WEIGHT kg/mtr
		ØD	T	
01.	40054	20.00	1.20	0.191
02.	40053	20.00	1.50	0.235
03.	40055	40.00	1.10	0.362
04.	40064	40.00	4.50	1.355
05.	40060	46.20	3.90	1.399
06.	40056	50.00	1.10	0.456
07.	40065	50.00	1.50	0.617
08.	40031	50.00	1.65	0.677
09.	40032	50.00	2.00	0.814
10.	40063	50.00	2.50	1.007
11.	40033	50.00	3.00	1.196
12.	40034	60.00	3.00	1.450
13.	40089	48.30	4.00	1.503
14.	40095	60.00	3.50	1.677
15.	40103	16.00	2.00	0.238

Sl.	SEC NO.	Description			WEIGHT kg/mtr
		A	B	T	
01.	30069	20.00	20.00	2.00	0.302
02.	30079	10.00	10.00	0.80	0.061
03.	30082	50.00	50.00	3.00	1.166



Sl.	SEC NO.	Description				WEIGHT kg/mtr
		A	B	T	R	
01.	30090	30.00	30.00	3.00	4.00	0.663

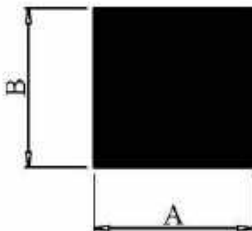
\* Die under development



Sl.	SEC NO.	Description			WEIGHT kg/mtr
		A	B	T	
01.	30067	20.00	40.00	2.00	0.518
02.	30068	34.00	15.00	1.50	0.247
03.	30034	40.00	20.00	1.50	0.312
04.	30035	40.00	20.00	1.80	0.371
05.	30036	40.00	20.00	2.00	0.410
06.	30037	45.00	20.00	1.50	0.332
* 07.	30045	100.00	50.00	6.00	3.045
08.	30071	45.00	20.00	1.25&1.50	0.306
09.	30074	11.30	8.10	1.30	0.097

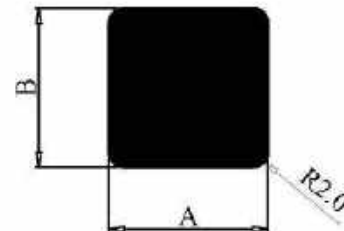
Sl.	SEC NO.	Description(mm)		WEIGHT kg/mtr
		A	T	
01.	30026	25.00	8.00	0.540
02.	30027	40.00	3.00	0.324
03.	30028	40.00	6.00	0.648
04.	30029	50.00	3.00	0.405
05.	30030	50.00	4.00	0.540
06.	30031	50.00	10.00	1.350
07.	30001	60.00	5.00	0.810
08.	30032	80.00	3.00	0.648
09.	30033	100.00	10.00	2.700
10.	30072	40.00	4.00	0.432
11.	30075	40.00	5.00	0.540
12.	30080	150.00	10.00	4.050
13.	30083	75.00	4.00	0.810
14.	30085	30.00	8.00	0.648

### SQUARE BARS



Sl.	SEC NO.	Description(mm)		WEIGHT kg/mtr
		A	B	
01.	30025	20.00	20.00	1.080

### SQUARE BARS with Radius



Sl.	SEC NO.	Description(mm)			WEIGHT kg/mtr
		A	B	R	
01.	30076	16	16	2.0	0.682

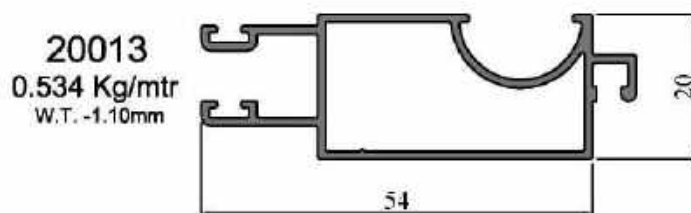
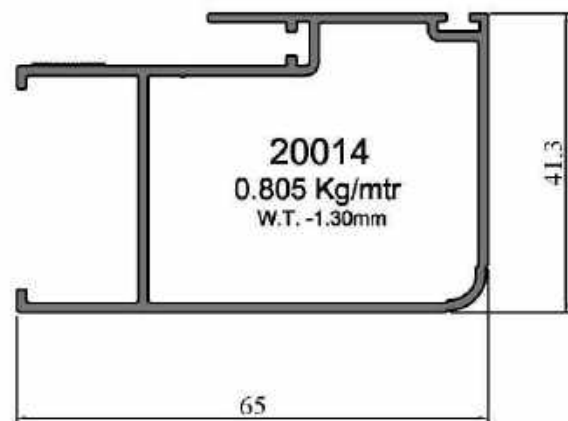
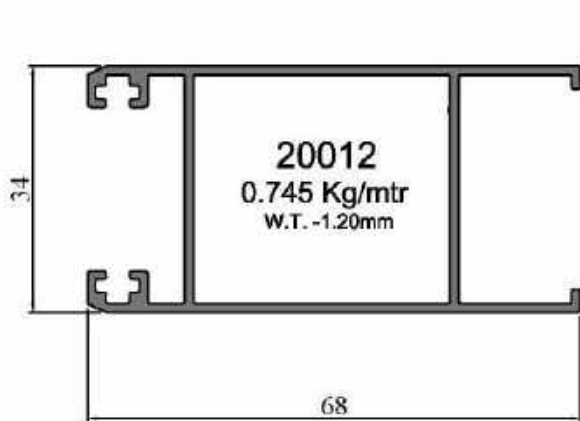
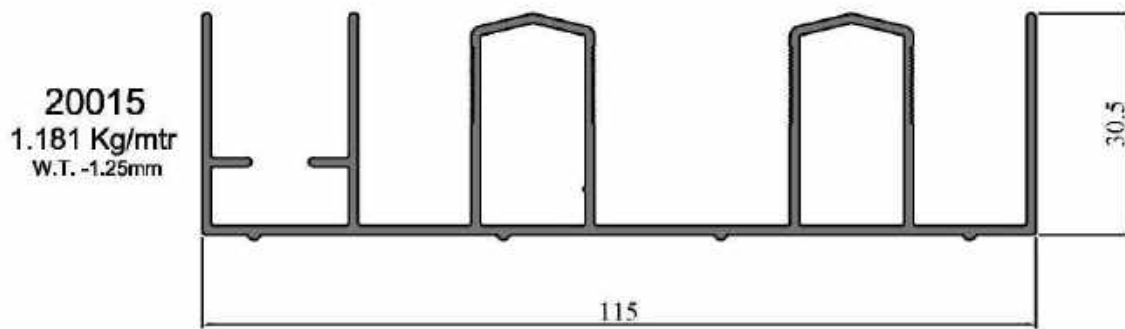
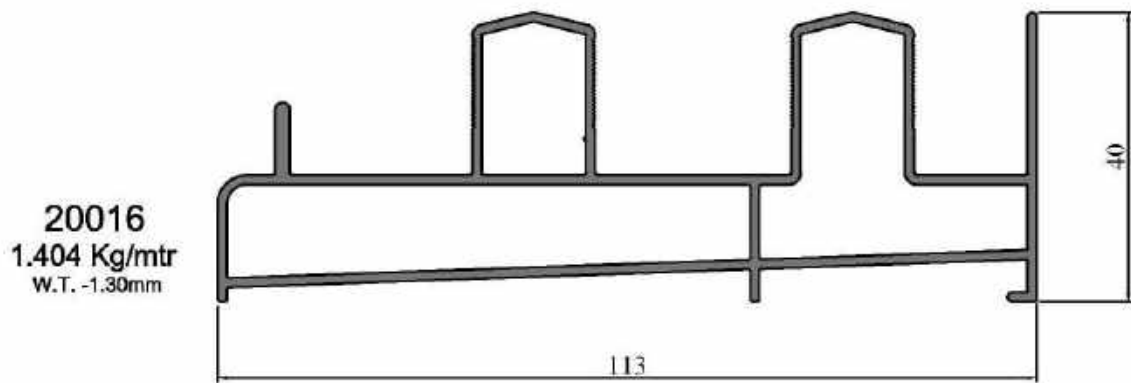
\* Die under development

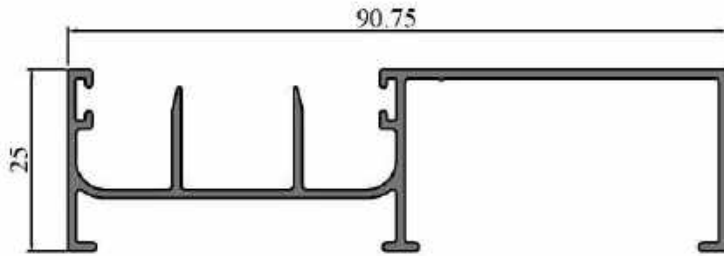
# EXPORT PRODUCTS



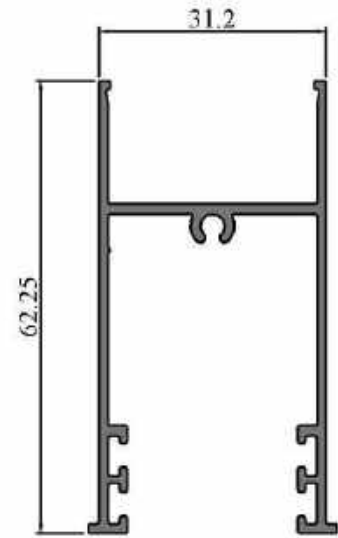
# JORDAN PROFILES

# JORDAN PROFILES

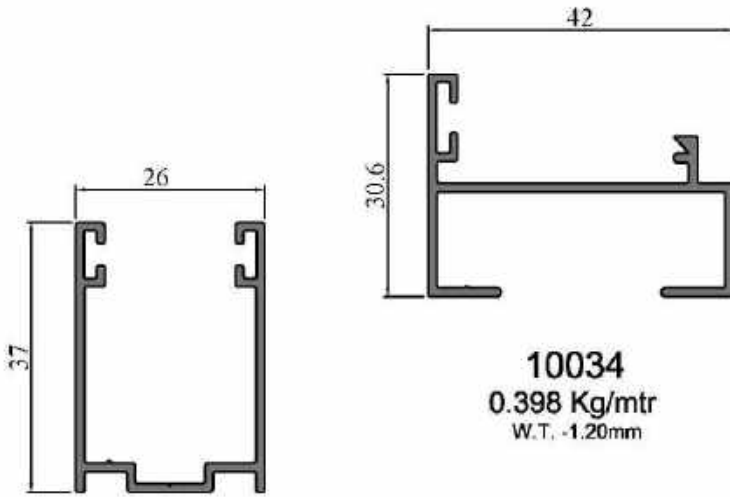




**10031**  
0.687 Kg/mtr  
W.T. -1.20mm

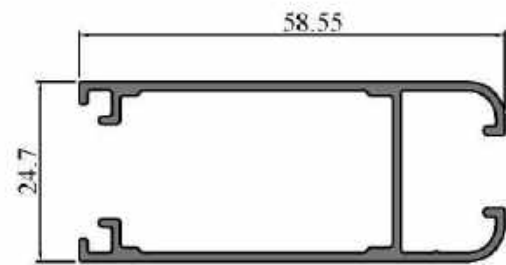


**10032**  
0.637 Kg/mtr  
W.T. -1.20mm



**10036**  
0.383 Kg/mtr  
W.T. -1.20mm

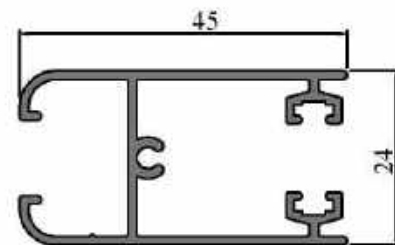
**10034**  
0.398 Kg/mtr  
W.T. -1.20mm



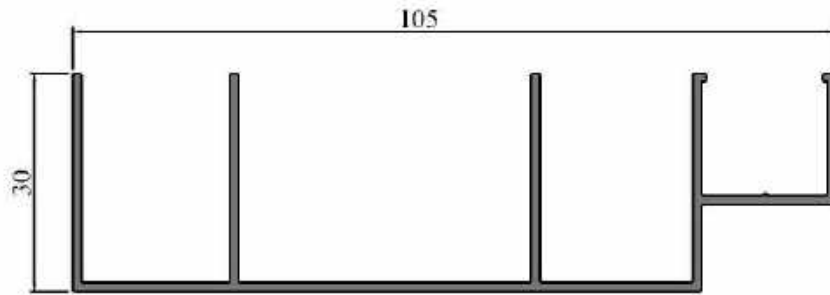
**10037**  
0.563 Kg/mtr  
W.T. -1.20mm



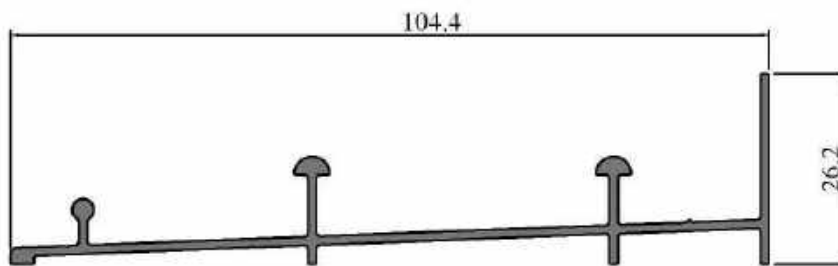
**10035**  
0.683 Kg/mtr  
W.T. -1.20mm



**10040**  
0.533 Kg/mtr  
W.T. -1.20mm

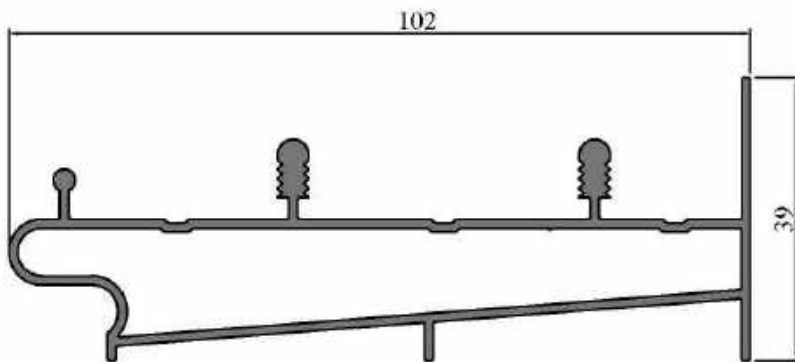
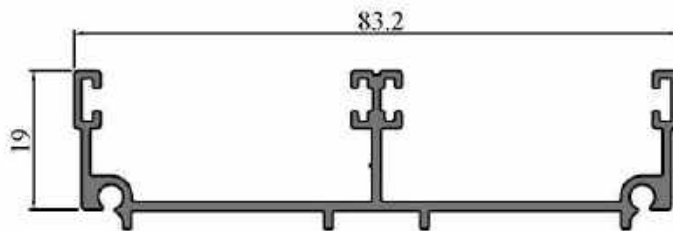


**10038**  
0.772 Kg/mtr  
W.T. -1.20mm



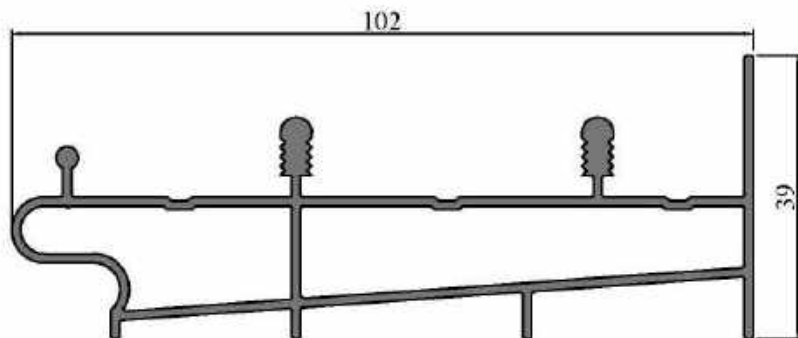
**10039**  
0.586 Kg/mtr  
W.T. -1.20mm

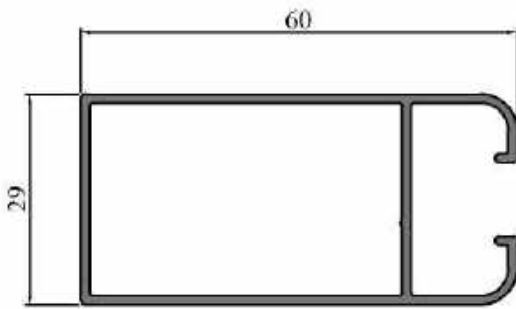
**10041**  
0.603 Kg/mtr  
W.T. -1.20mm



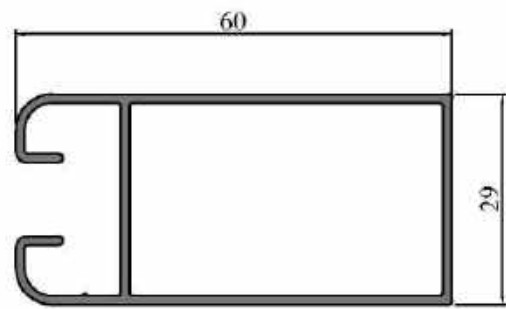
**20022**  
1.050 Kg/mtr  
W.T. -1.20mm

**20057**  
1.115 Kg/mtr  
W.T. -1.20mm

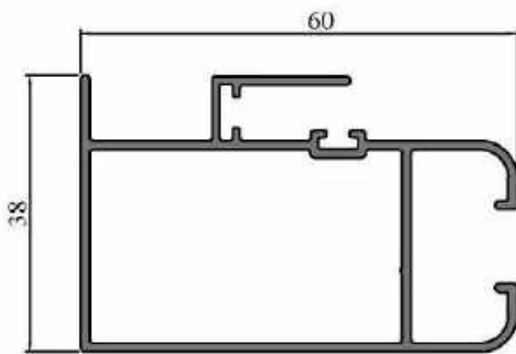




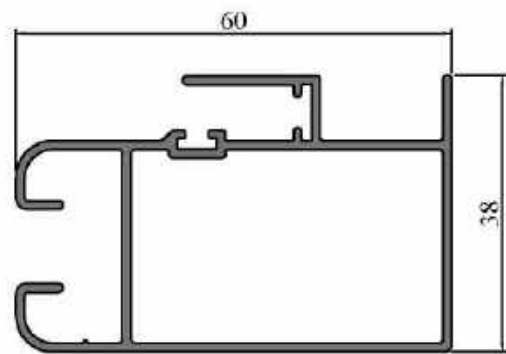
**20023**  
0.613 Kg/mtr  
W.T. -1.20mm



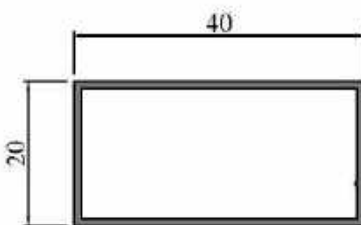
**20018**  
0.634 Kg/mtr  
W.T. -1.20mm



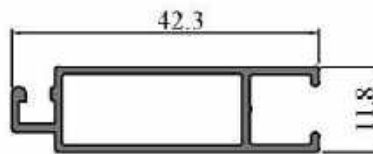
**20020**  
0.751 Kg/mtr  
W.T. -1.20mm



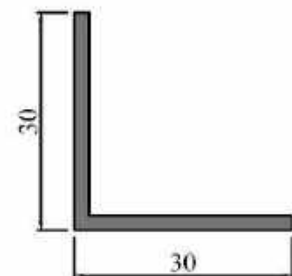
**20019**  
0.779 Kg/mtr  
W.T. -1.20mm



**20054**  
0.313 Kg/mtr  
W.T. -1.0mm

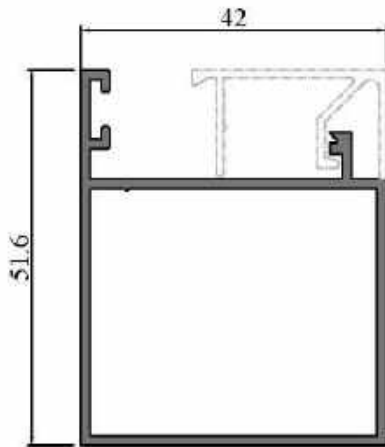


**20021**  
0.303 Kg/mtr  
W.T. -1.00mm

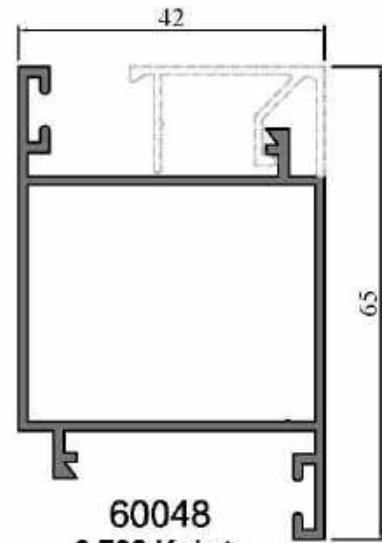


**30006**  
0.313 Kg/mtr  
W.T. -2.0mm

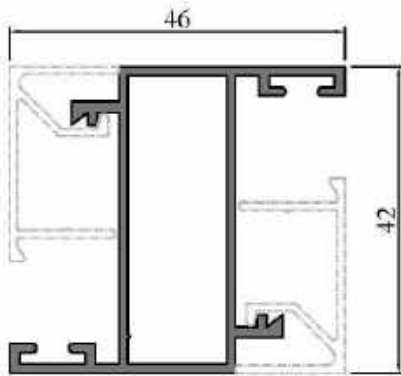




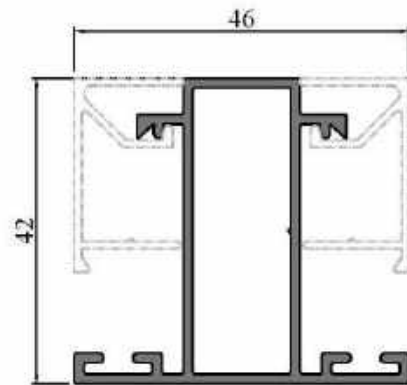
**20017**  
0.650 Kg/mtr  
W.T. -1.30mm



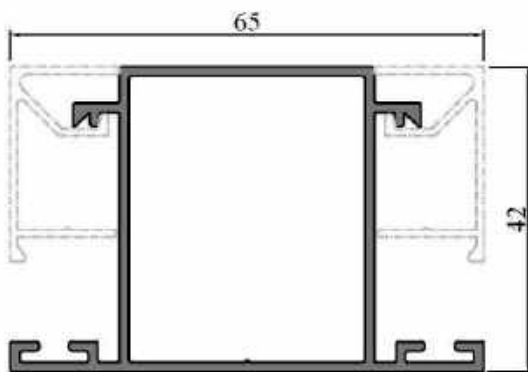
**60048**  
0.732 Kg/mtr  
W.T. -1.20mm



**60051**  
0.603 Kg/mtr  
W.T. -1.20mm



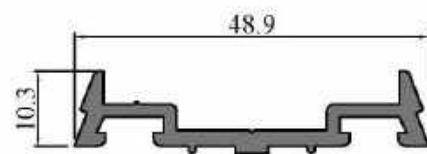
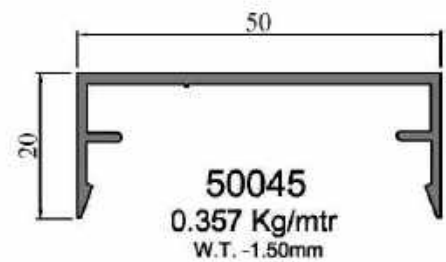
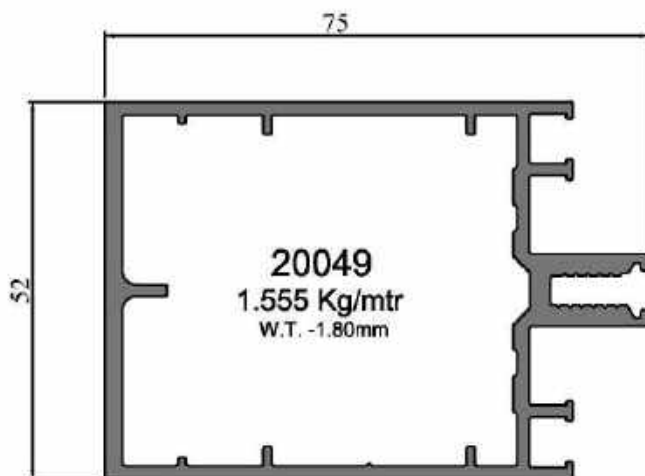
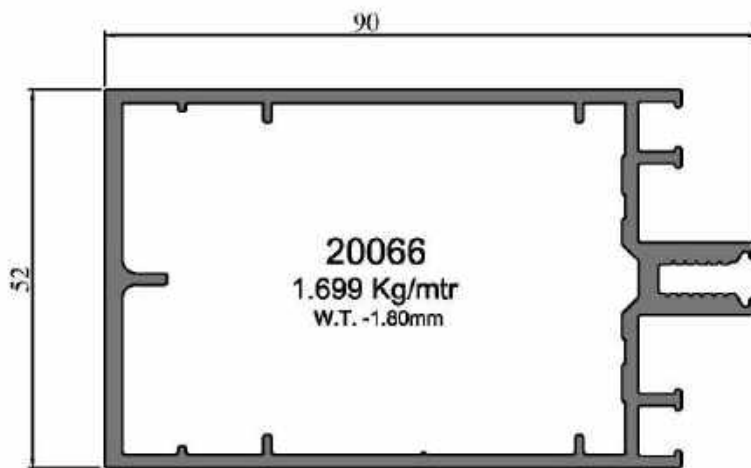
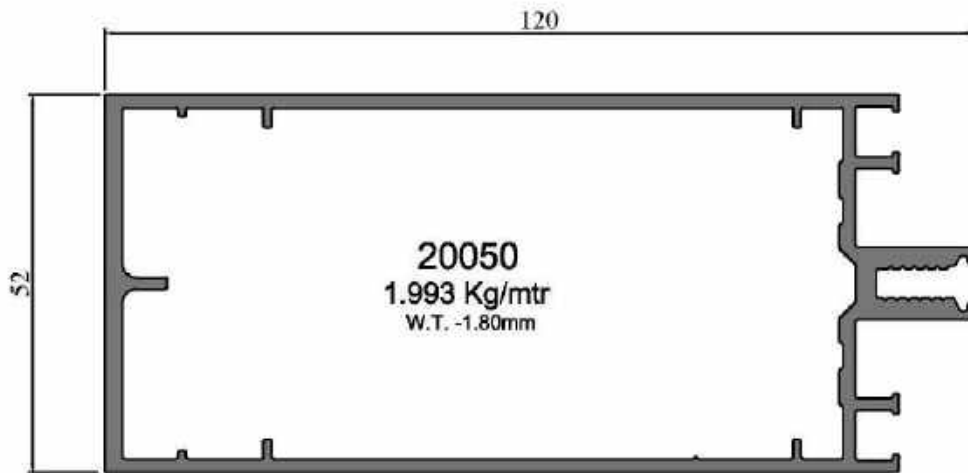
**20058**  
0.642 Kg/mtr  
W.T. -1.30mm



**20053**  
0.777 Kg/mtr  
W.T. -1.30mm

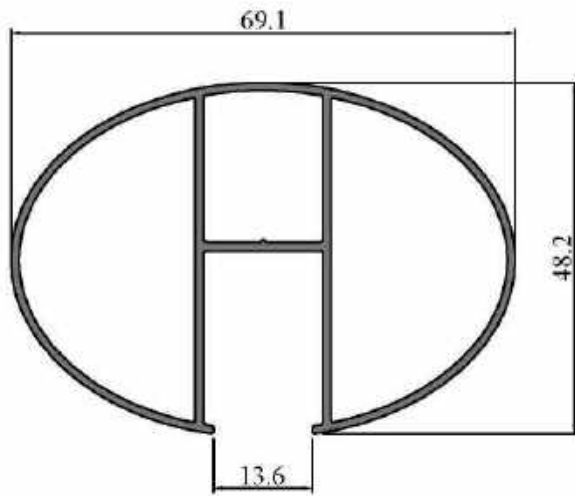


**50078**  
0.200 Kg/mtr  
W.T. -1.00mm

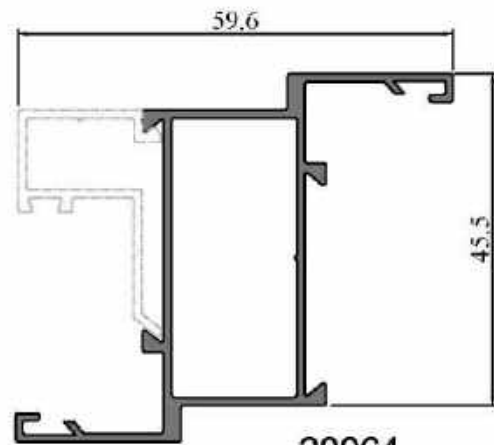


**50044**  
0.430 Kg/mtr  
W.T. -2.20mm

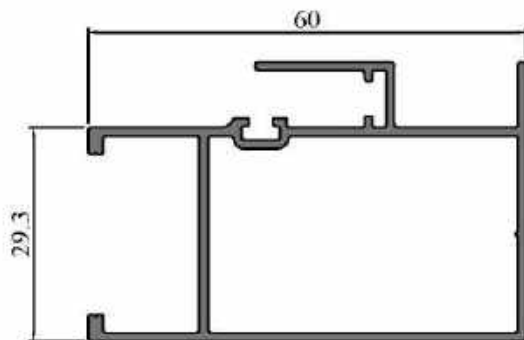
# JORDAN PROFILES



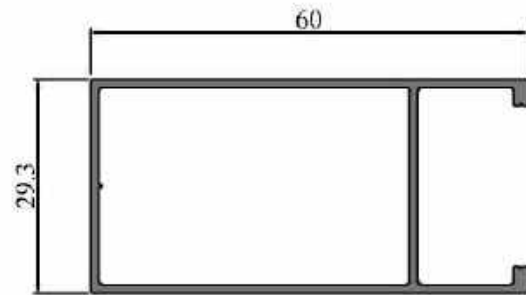
**20067**  
0.847 Kg/mtr  
W.T. -1.20mm



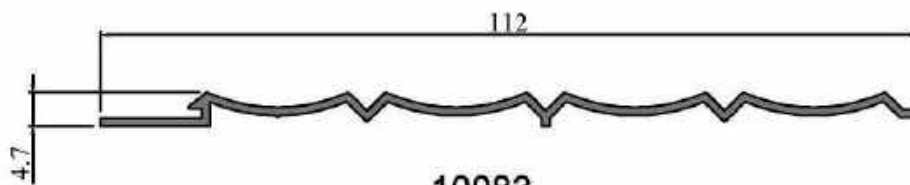
**20064**  
0.632 Kg/mtr  
W.T. -1.10mm



**20056**  
0.710 Kg/mtr  
W.T. -1.15mm

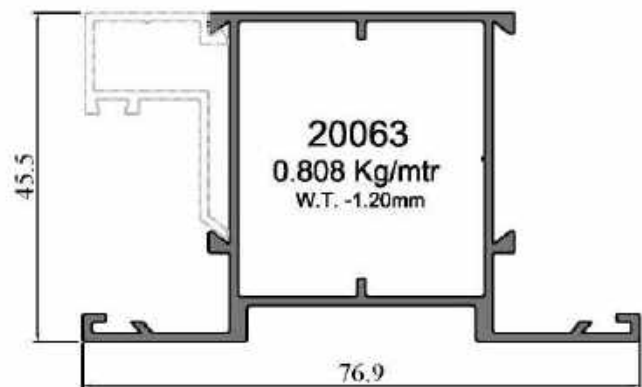
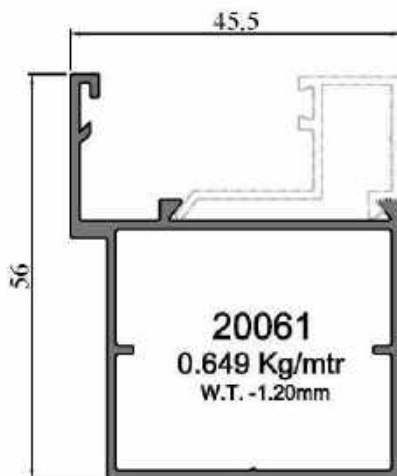
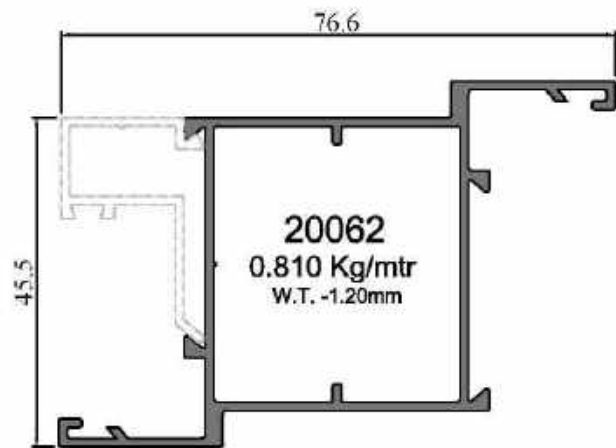
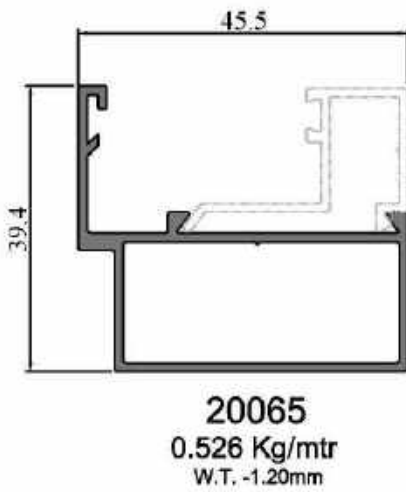
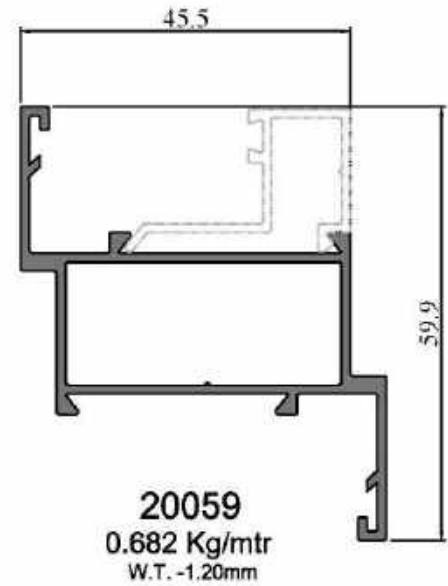
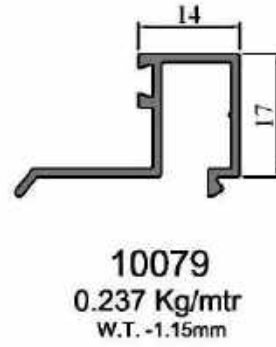
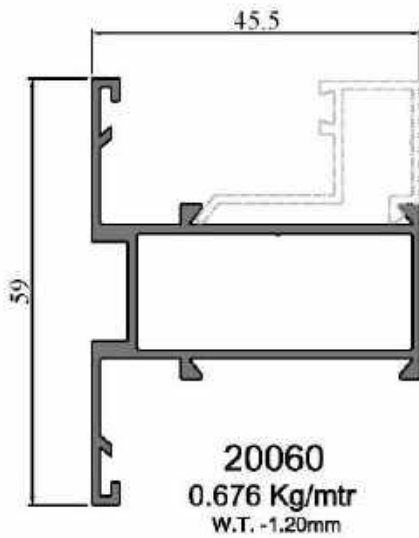


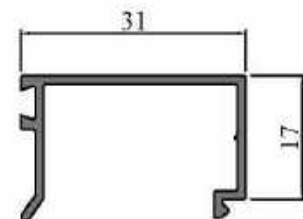
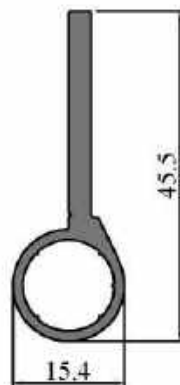
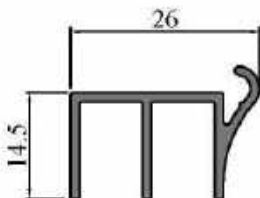
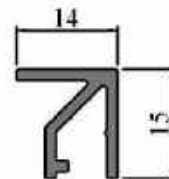
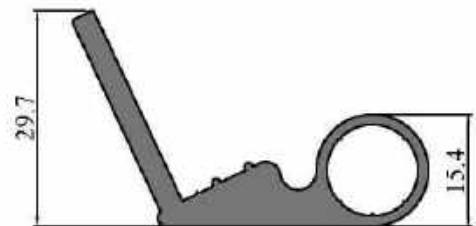
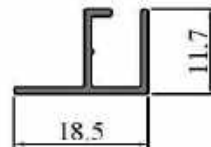
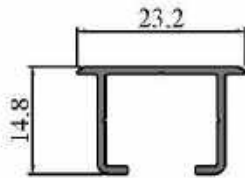
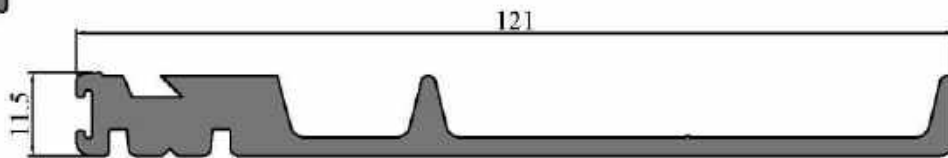
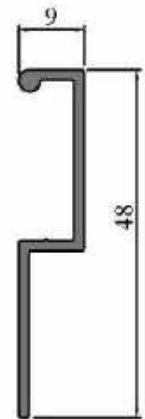
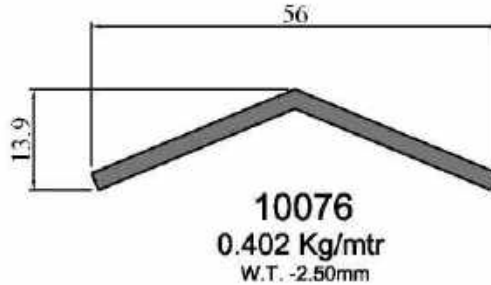
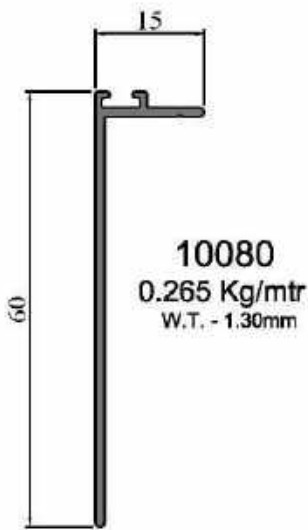
**20055**  
0.568 Kg/mtr  
W.T. -1.15mm

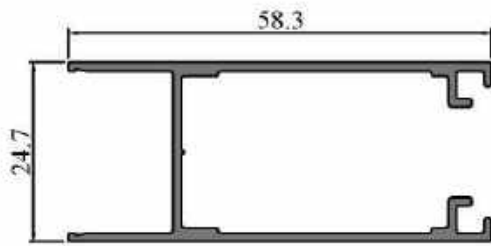


**10083**  
0.379 Kg/mtr  
W.T. -1.10mm

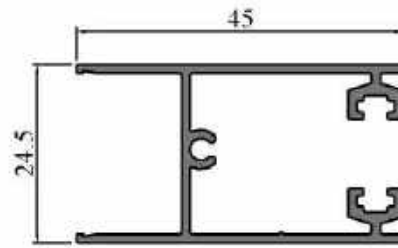




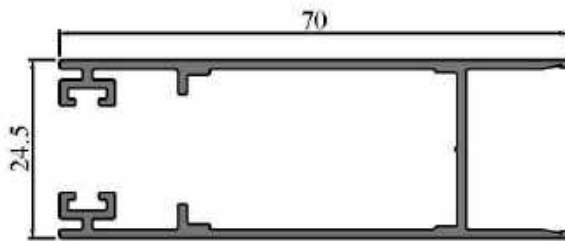




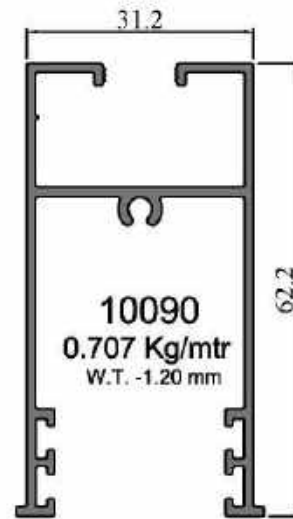
**10074**  
0.530 Kg/mtr  
W.T. -1.20mm



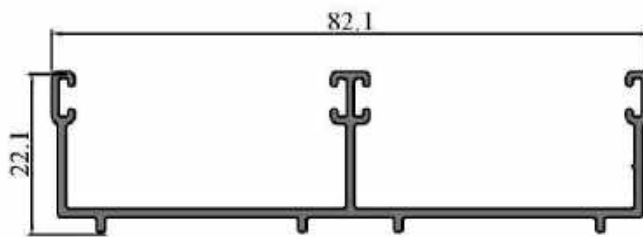
**10075**  
0.492 Kg/mtr  
W.T. -1.15mm



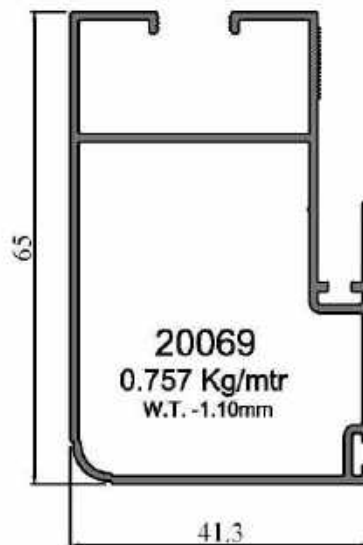
**10077**  
0.660 Kg/mtr  
W.T. -1.20mm



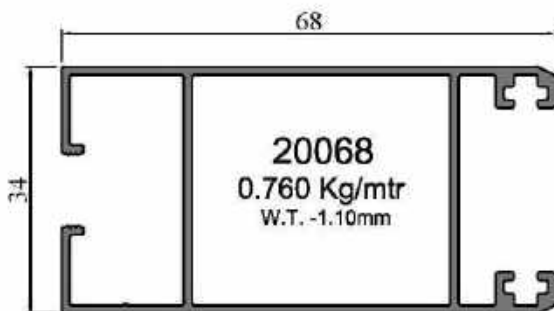
**10090**  
0.707 Kg/mtr  
W.T. -1.20 mm



**10078**  
0.500 Kg/mtr  
W.T. -1.15mm

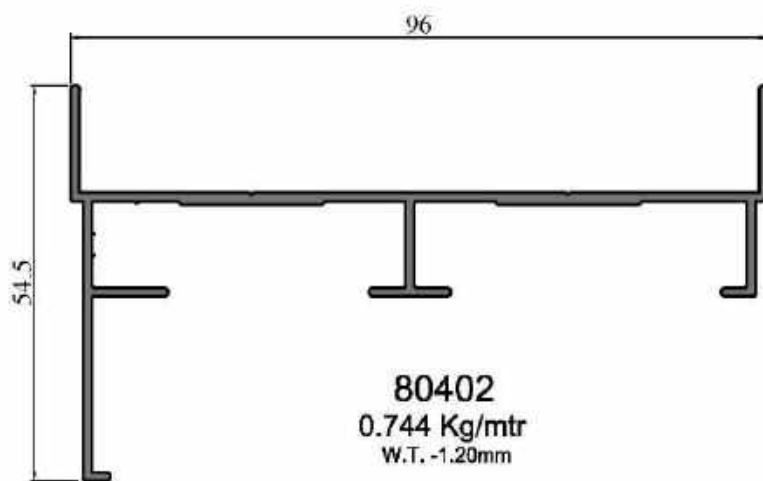
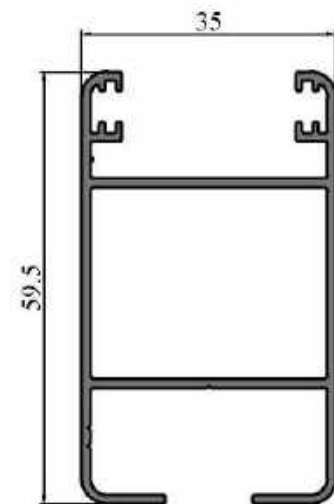
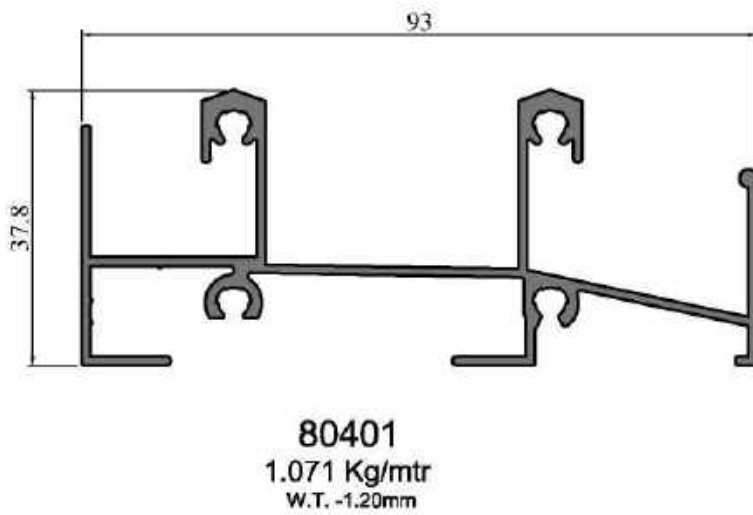
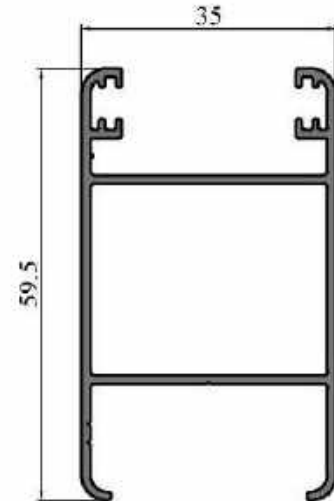
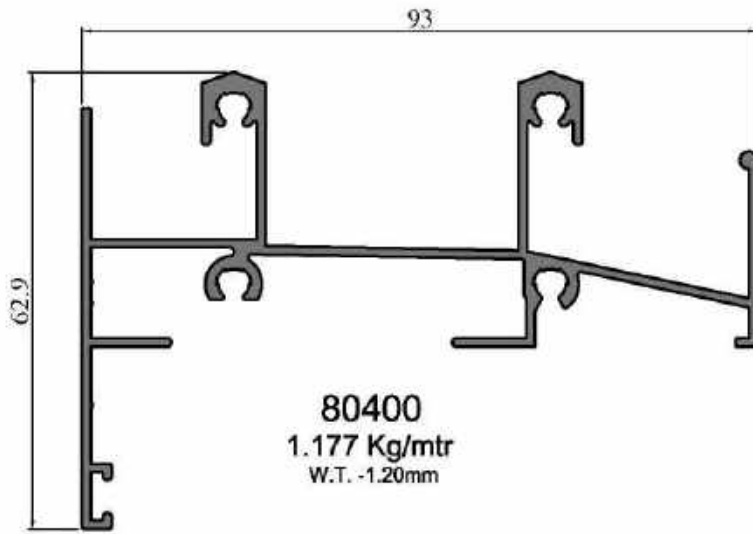


**20069**  
0.757 Kg/mtr  
W.T. -1.10mm



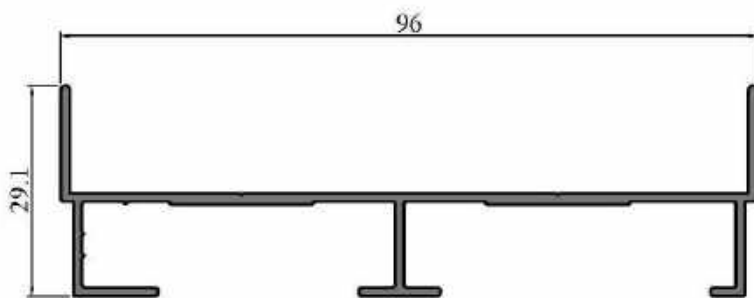
**20068**  
0.760 Kg/mtr  
W.T. -1.10mm

# LEBANON PROFILES

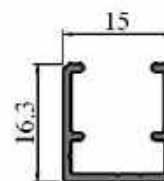


**80405**  
0.726 Kg/mtr  
W.T. -1.20mm

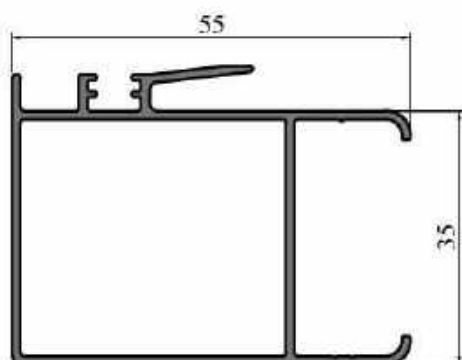




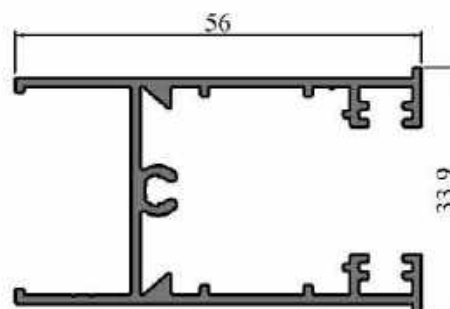
**80403**  
0.654 Kg/mtr  
W.T. -1.20mm



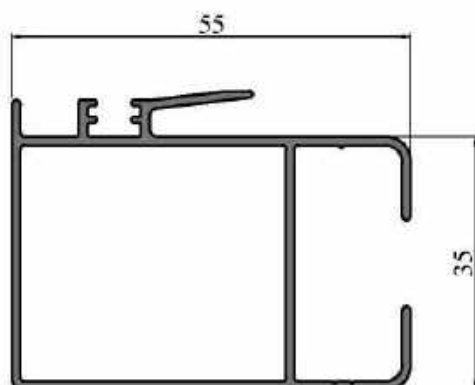
**80410**  
0.148 Kg/mtr  
W.T. -1.10mm



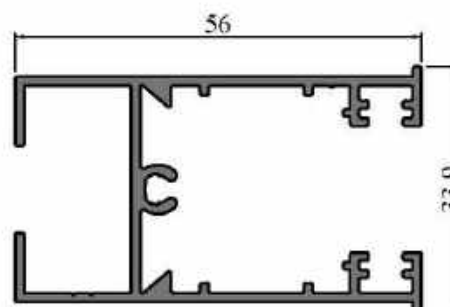
**80406**  
0.683 Kg/mtr  
W.T. -1.20mm



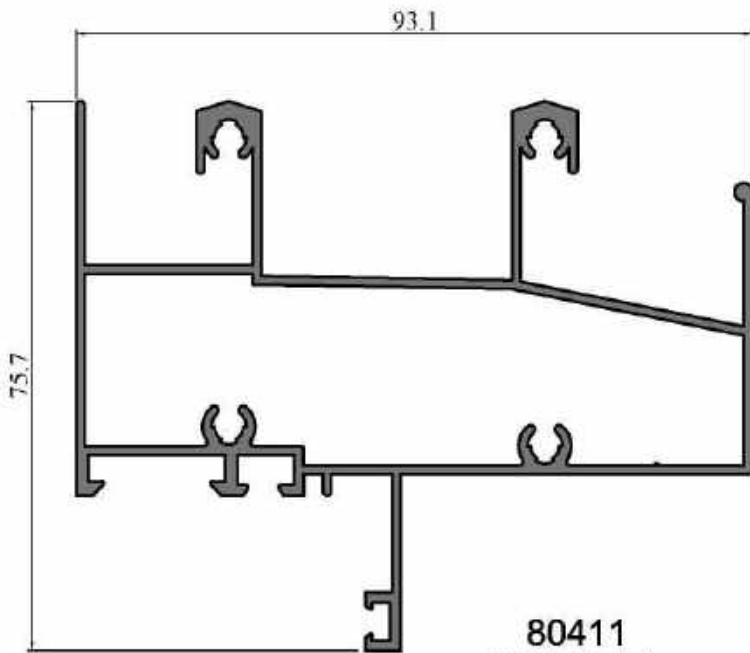
**80408**  
0.682 Kg/mtr  
W.T. -1.20mm



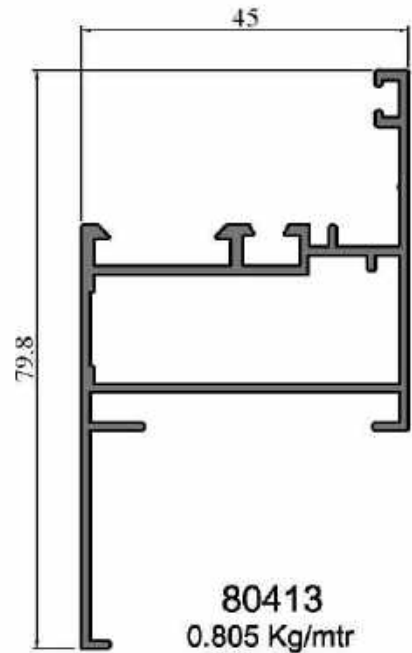
**80407**  
0.731 Kg/mtr  
W.T. -1.20mm



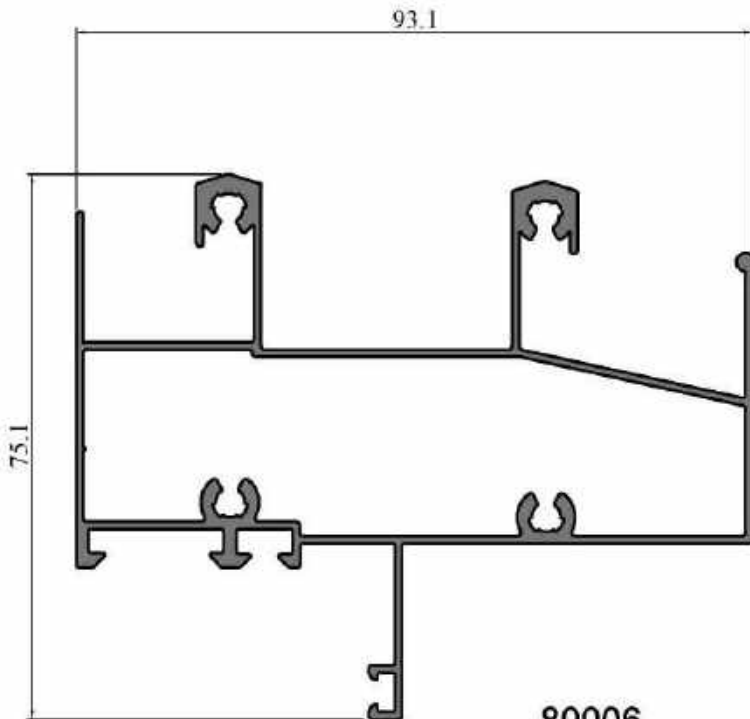
**80409**  
0.731 Kg/mtr  
W.T. -1.20mm



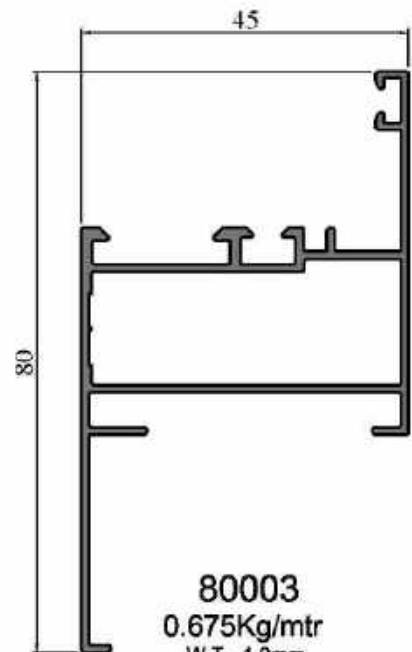
**80411**  
1.563 Kg/mtr  
W.T. -1.20mm



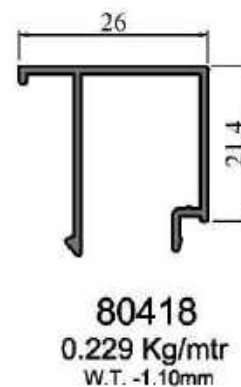
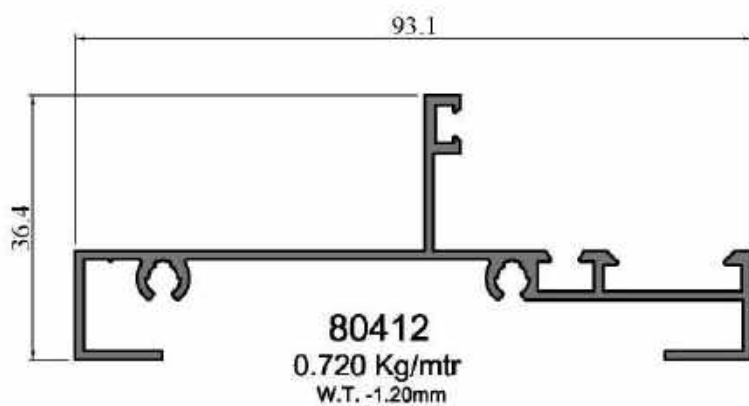
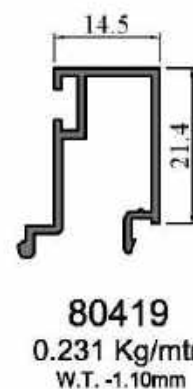
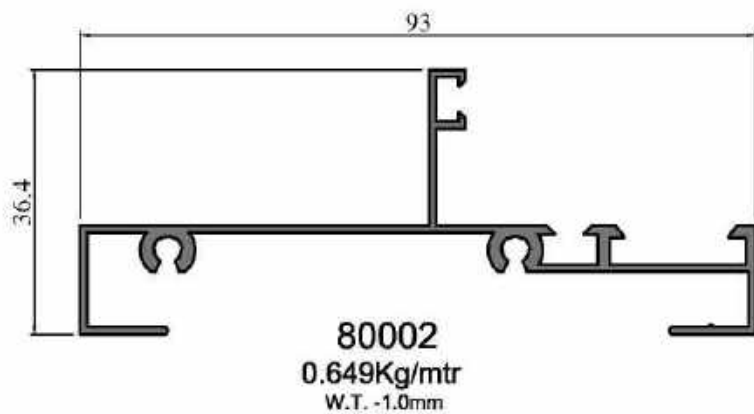
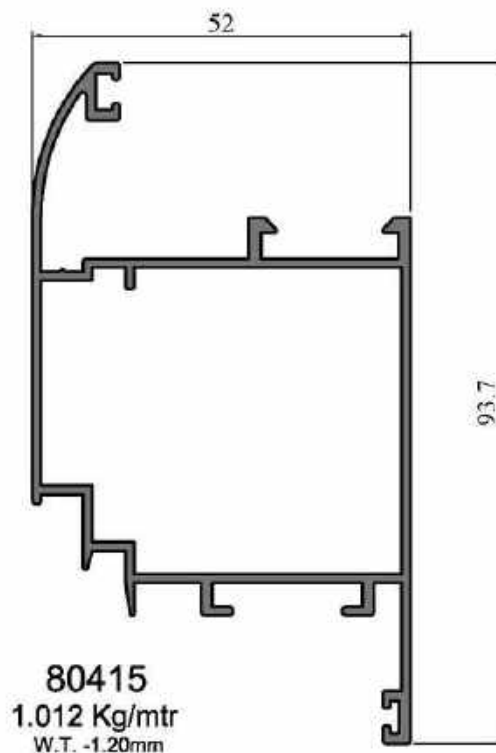
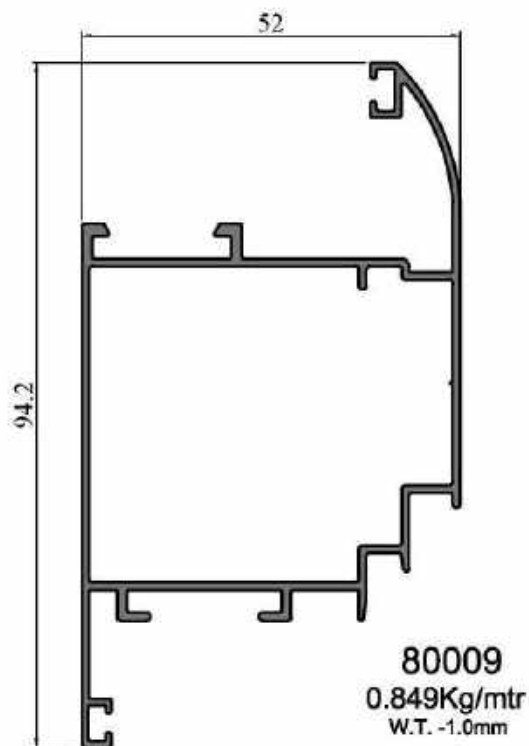
**80413**  
0.805 Kg/mtr  
W.T. -1.20mm

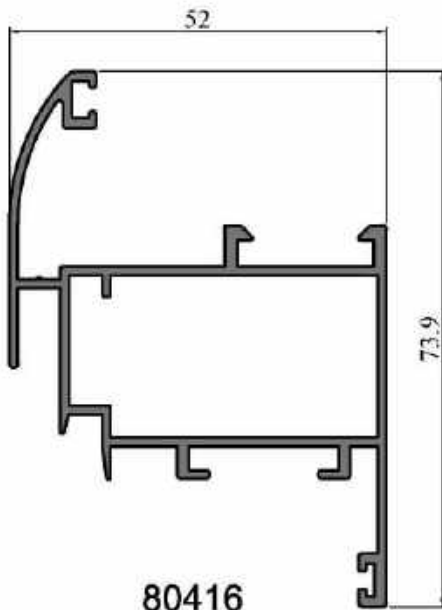


**80006**  
1.387Kg/mtr  
W.T. -1.0mm

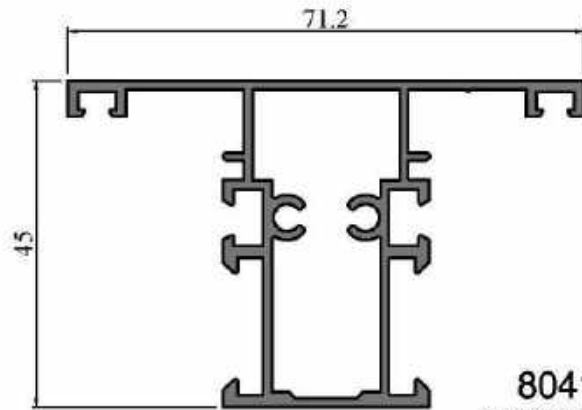


**80003**  
0.675Kg/mtr  
W.T. -1.0mm

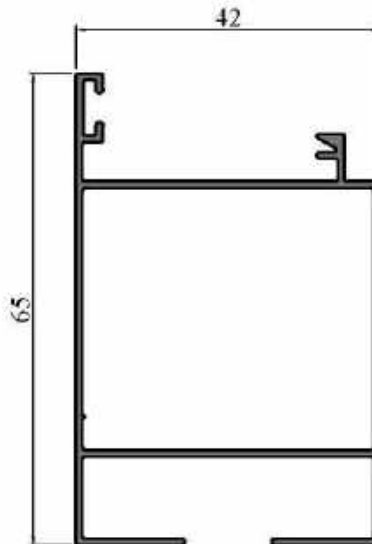




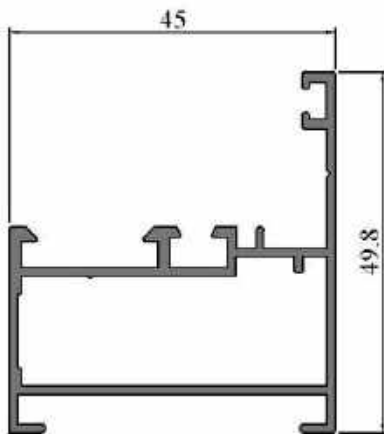
**80416**  
0.892 Kg/mtr  
W.T. -1.20mm



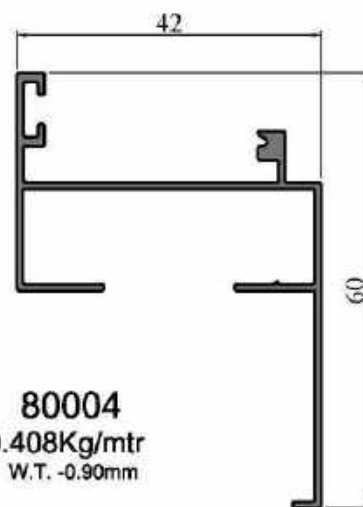
**80417**  
0.926 Kg/mtr  
W.T. -1.20mm



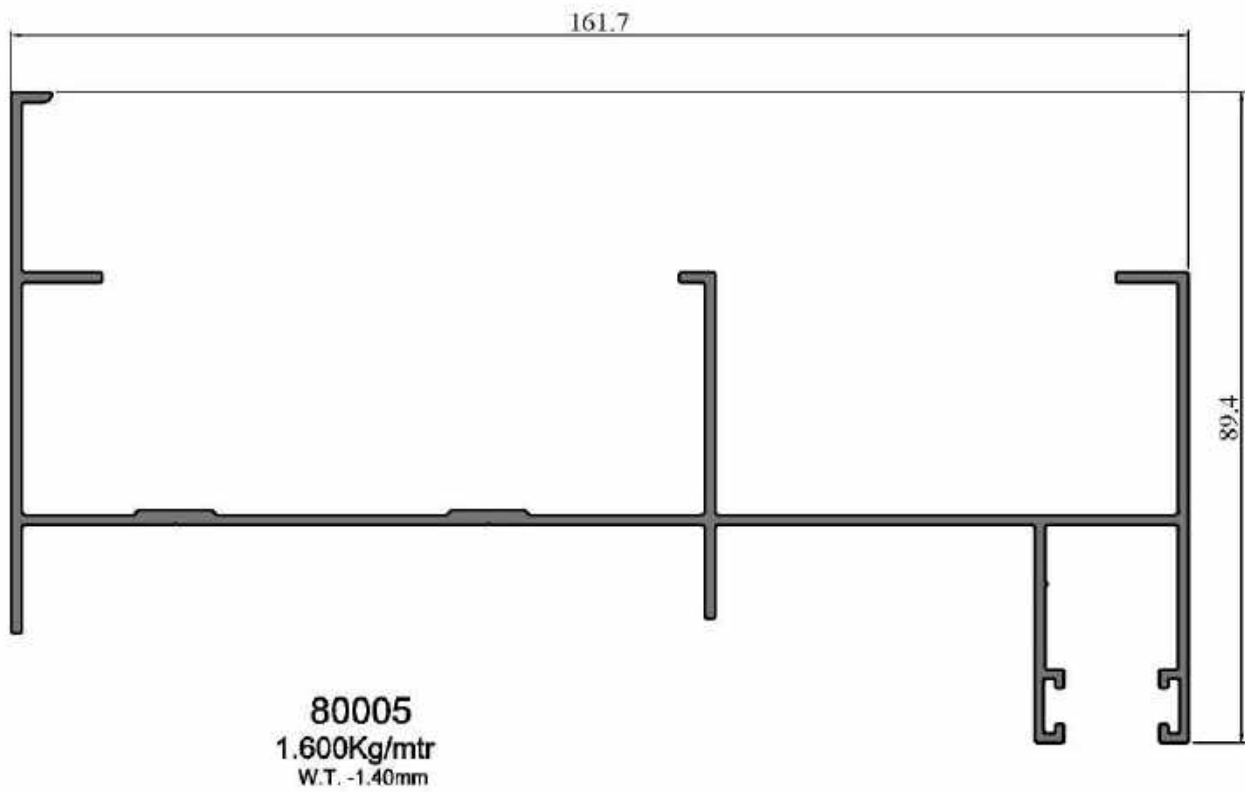
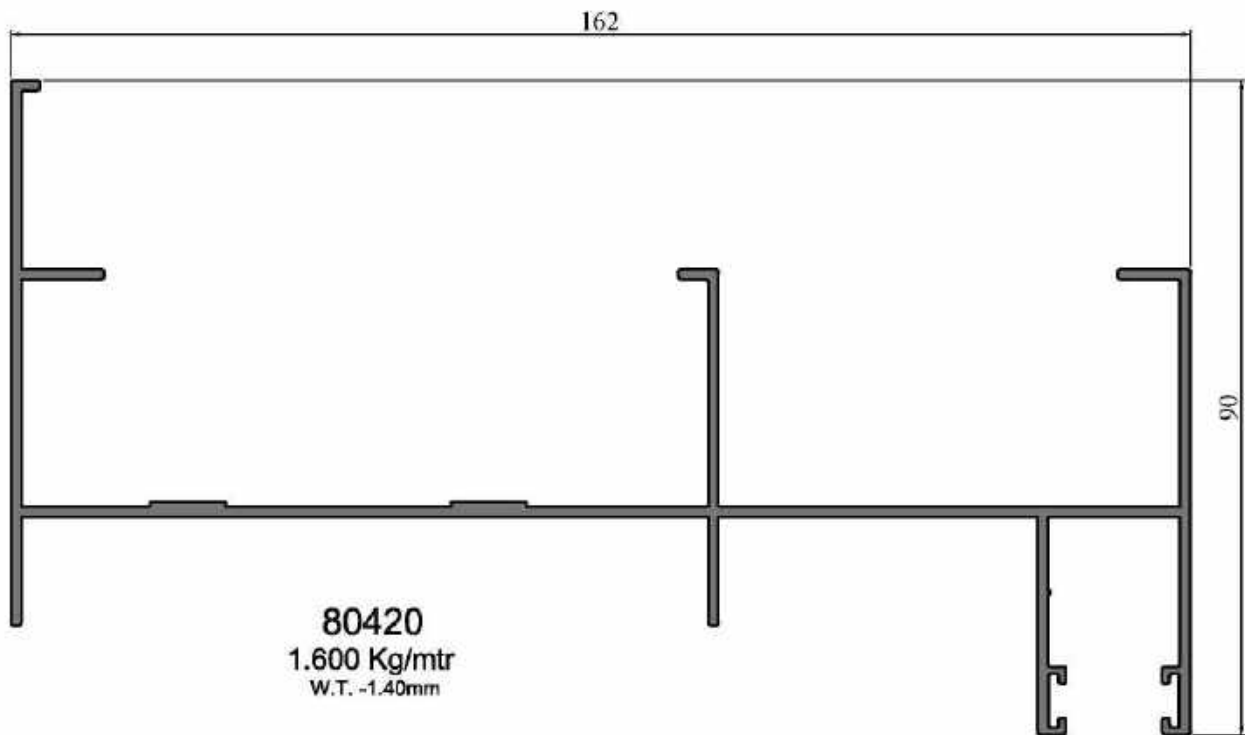
**80010**  
0.602Kg/mtr  
W.T. -0.90mm

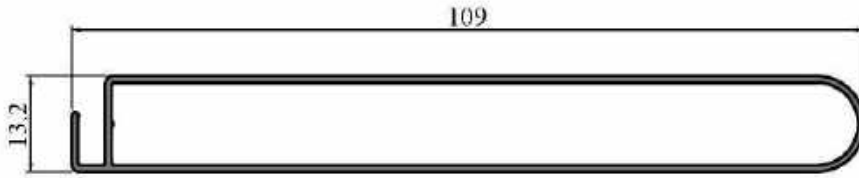


**80414**  
0.686 Kg/mtr  
W.T. -1.20mm

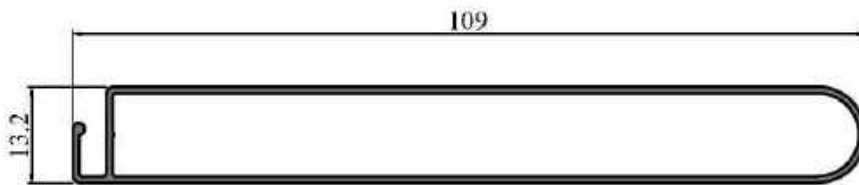


**80004**  
0.408Kg/mtr  
W.T. -0.90mm

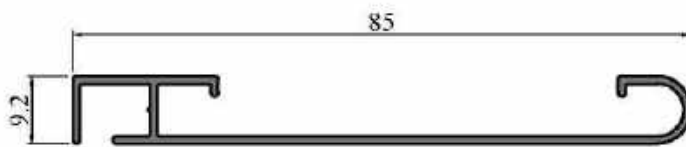




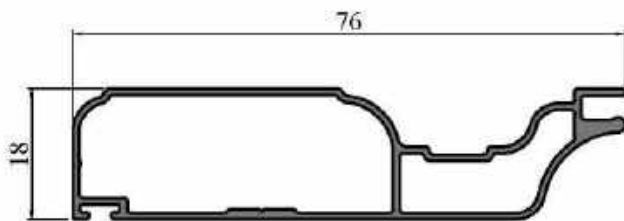
**80427**  
0.579 Kg/mtr  
W.T. -0.90mm



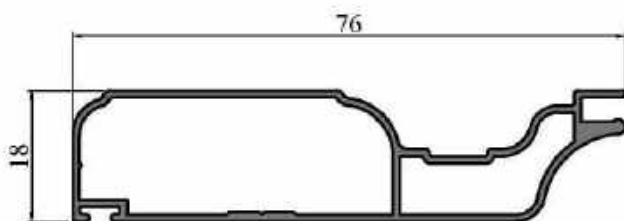
**80001**  
0.580Kg/mtr  
W.T. -0.90mm



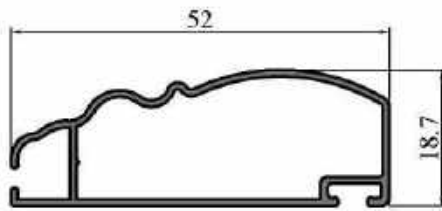
**80015**  
0.355Kg/mtr  
W.T. -1.0mm



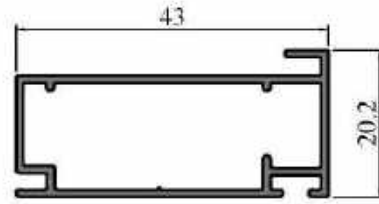
**80020**  
0.521 Kg/mtr  
W.T. -0.90mm



**80426**  
0.533 Kg/mtr  
W.T. -0.95mm



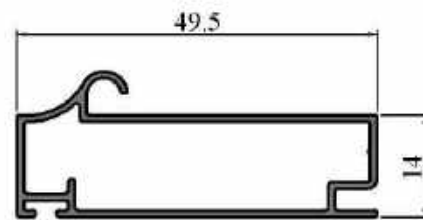
**80425**  
0.340 Kg/mtr  
W.T. -0.90mm



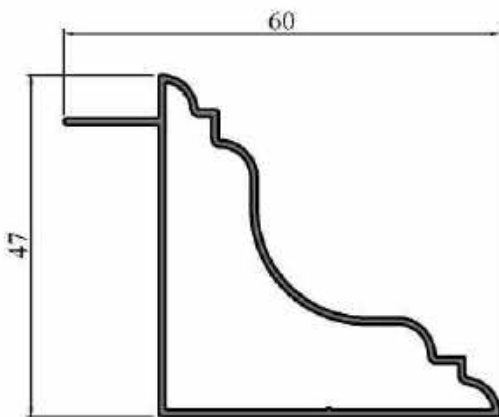
**80012**  
0.373Kg/mtr  
W.T. -1.0mm



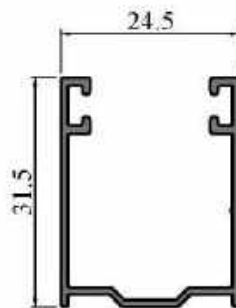
**80021**  
0.387Kg/mtr  
W.T. -0.90mm



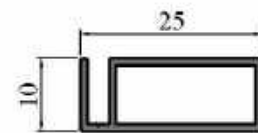
**80023**  
0.362Kg/mtr  
W.T. -0.90mm



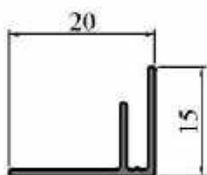
**80022**  
0.441Kg/mtr  
W.T. -0.90mm



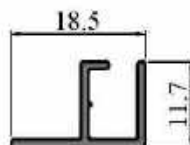
**80011**  
0.262Kg/mtr  
W.T. -0.90mm



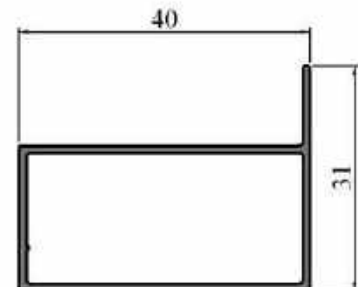
**80429**  
0.181 Kg/mtr  
W.T. -0.95mm



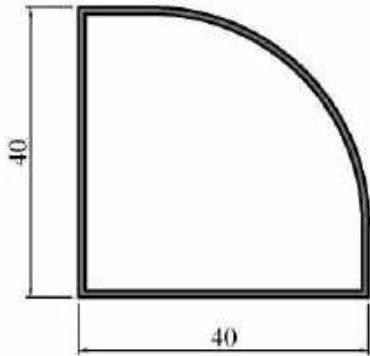
**80428**  
0.106 Kg/mtr  
W.T. -0.90mm



**80014**  
0.115Kg/mtr  
W.T. -1.0mm



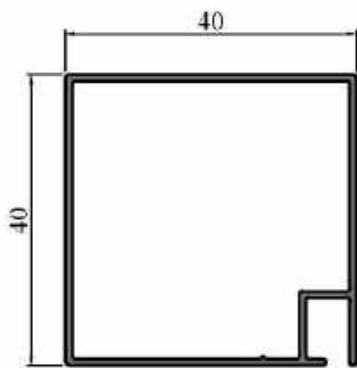
**80013**  
0.343 Kg/mtr  
W.T. -1.0mm



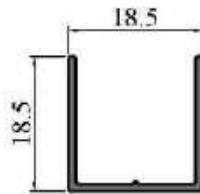
**80422**  
0.368 Kg/mtr  
W.T. - 0.95mm



**80018**  
0.664Kg/mtr  
W.T. -1.0mm



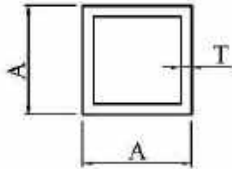
**80019**  
0.409Kg/mtr  
W.T. -0.90mm



**80016**  
0.144Kg/mtr  
W.T. -1.0mm

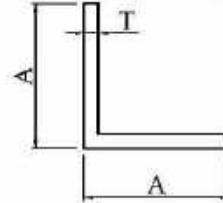


## SQUARE TUBES



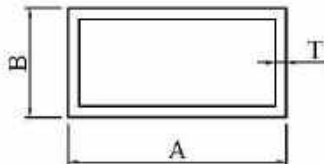
Sl.	SEC NO.	Description(mm)			WEIGHT kg/mtr
		A	T		
01.	80424	30.00	0.90		0.283
02.	80421	40.00	0.90		0.380
03.	80007	40.00	0.90		0.380
04.	80433	50.00	1.10		0.580
05.	80434	100.00	1.30		1.386

## EQUAL ANGLES



Sl.	SEC NO.	Description			WEIGHT kg/mtr
		A	T		
01.	80430	20.00	0.90		0.095
02.	80431	30.00	1.00		0.159

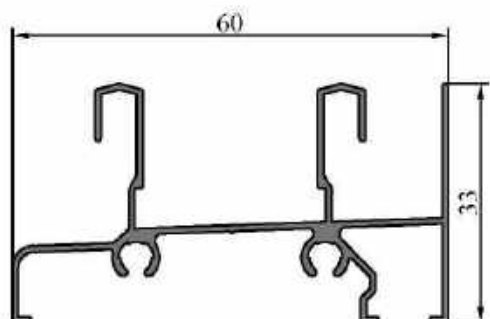
## RECTANGLE TUBES



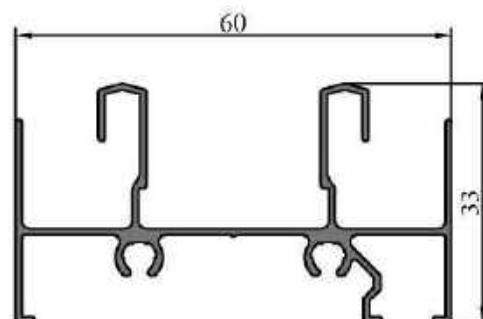
Sl.	SEC NO.	Description			WEIGHT kg/mtr
		A	B	T	
01.	80423	40.00	20.00	0.90	0.283
02.	80017	80.00	40.00	0.90	0.574
03.	80008	100.00	40.00	0.90	0.672
04.	80432	100.00	40.00	1.10	0.818
05.	80435	100.00	50.00	1.10	0.877



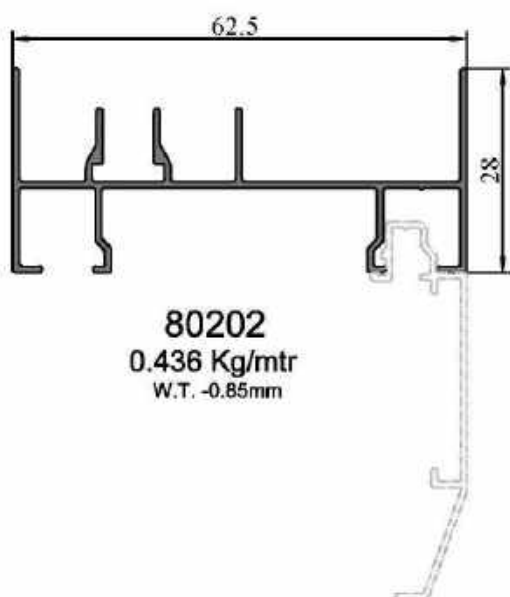
# MOROCCO PROFILES



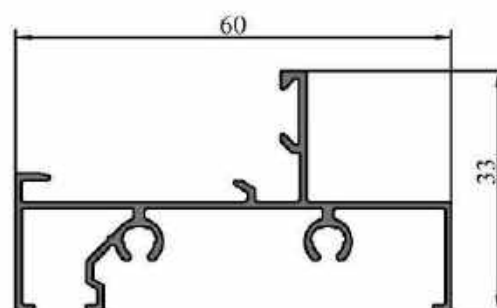
**80200**  
0.493 Kg/mtr  
W.T. -0.83mm



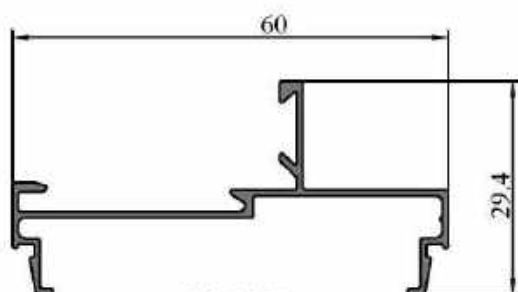
**80201**  
0.545 Kg/mtr  
W.T. -0.85mm



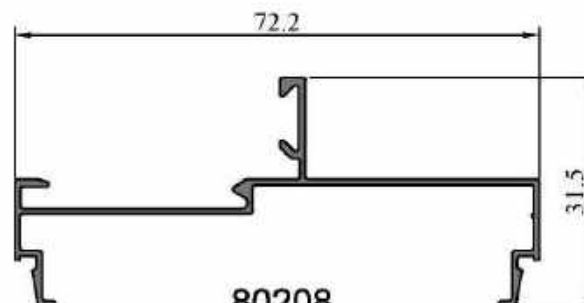
**80202**  
0.436 Kg/mtr  
W.T. -0.85mm



**80206**  
0.430 Kg/mtr  
W.T. -0.85mm



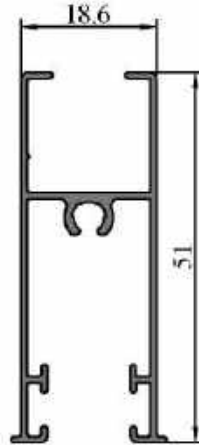
**80207**  
0.306 Kg/mtr  
W.T. -0.80mm



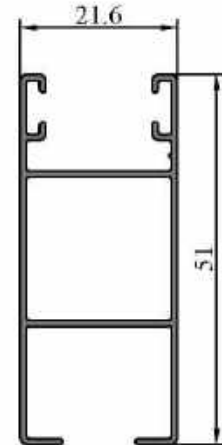
**80208**  
0.327 Kg/mtr  
W.T. -0.75mm



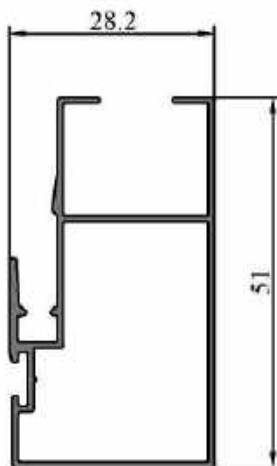
**80209**  
0.186 Kg/mtr  
W.T. -0.80mm



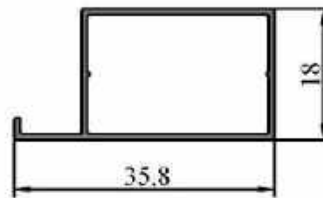
**80204**  
0.378 Kg/mtr  
W.T. -0.85mm



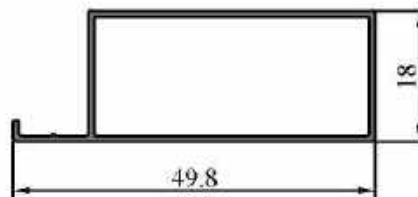
**80203**  
0.383 Kg/mtr  
W.T. -0.85mm



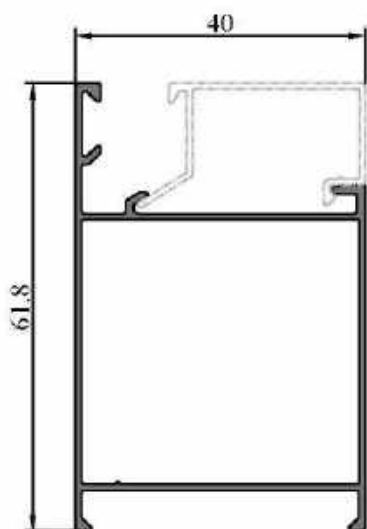
**80205**  
0.415 Kg/mtr  
W.T. -0.80mm



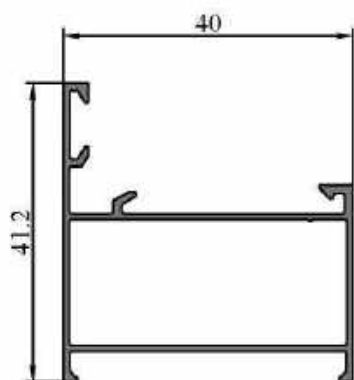
**80220**  
0.210 Kg/mtr  
W.T. -0.80mm



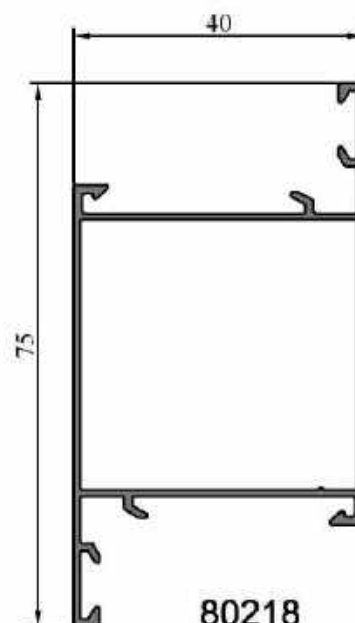
**80219**  
0.268 Kg/mtr  
W.T. -0.80mm



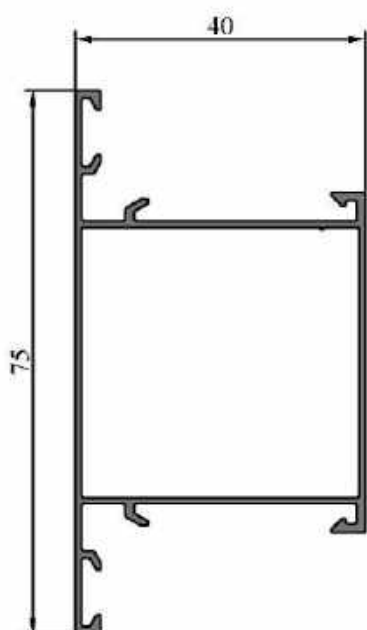
**80229**  
0.491 Kg/mtr  
W.T. -0.85mm



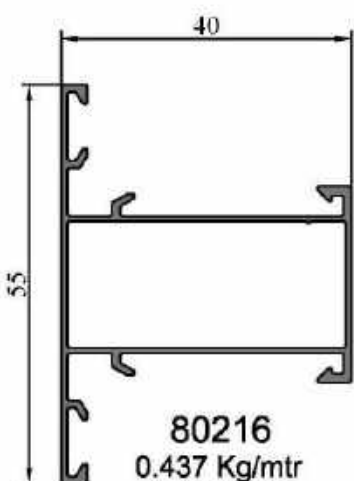
**80214**  
0.375 Kg/mtr  
W.T. -0.80mm



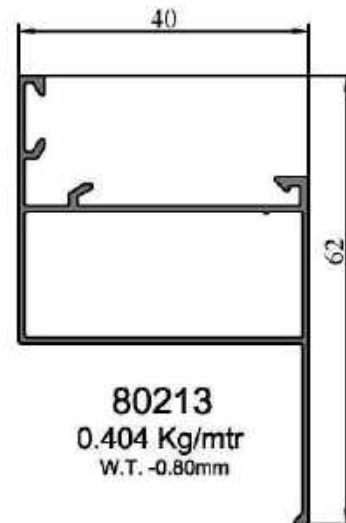
**80218**  
0.556 Kg/mtr  
W.T. -0.85mm



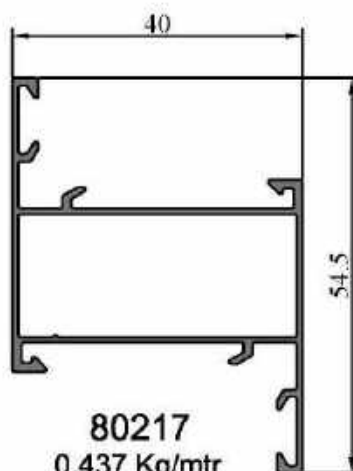
**80215**  
0.556 Kg/mtr  
W.T. -0.85mm



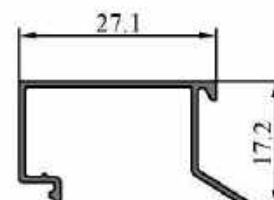
**80216**  
0.437 Kg/mtr  
W.T. -0.78mm



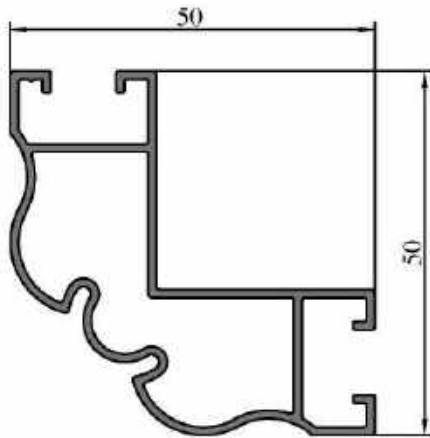
**80213**  
0.404 Kg/mtr  
W.T. -0.80mm



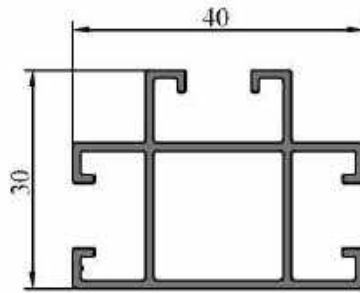
**80217**  
0.437 Kg/mtr  
W.T. -0.78mm



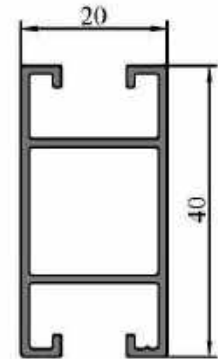
**80212**  
0.153 Kg/mtr  
W.T. -0.80mm



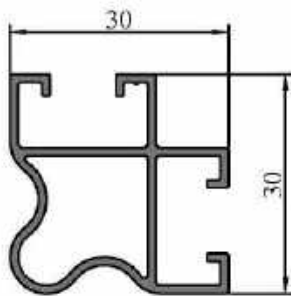
**80228**  
0.663 Kg/mtr  
W.T. -1.10mm



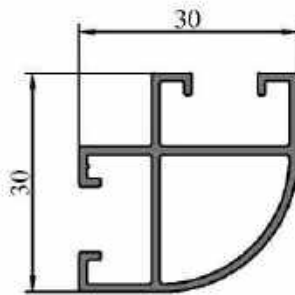
**80227**  
0.516 Kg/mtr  
W.T. -1.10mm



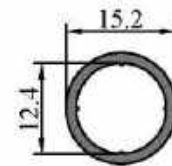
**80225**  
0.419 Kg/mtr  
W.T. -1.10mm



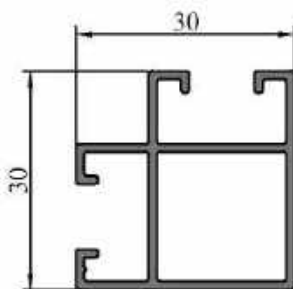
**80223**  
0.426 Kg/mtr  
W.T. -1.10mm



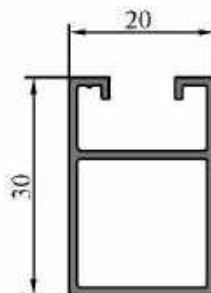
**80222**  
0.396 Kg/mtr  
W.T. -1.10mm



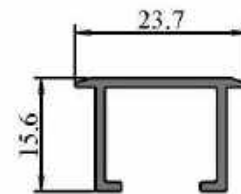
**80230**  
0.165 Kg/mtr  
W.T. -1.40mm



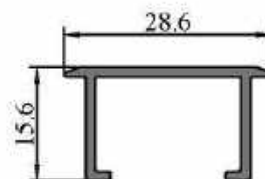
**80226**  
0.419 Kg/mtr  
W.T. -1.10mm



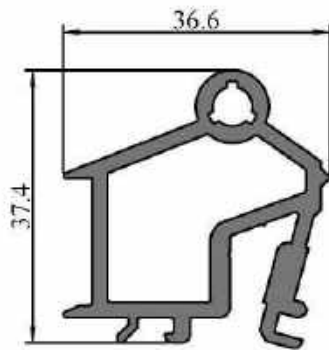
**80224**  
0.322 Kg/mtr  
W.T. -1.10mm



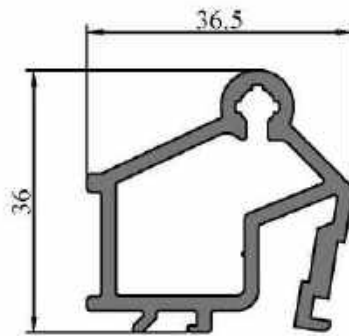
**80231**  
0.194 Kg/mtr  
W.T. -1.30mm



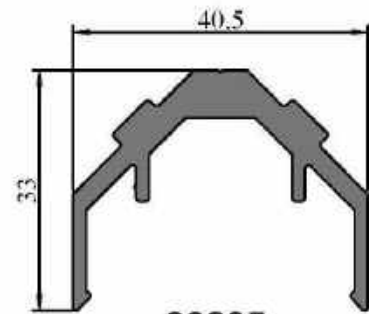
**80232**  
0.211 Kg/mtr  
W.T. -1.30mm



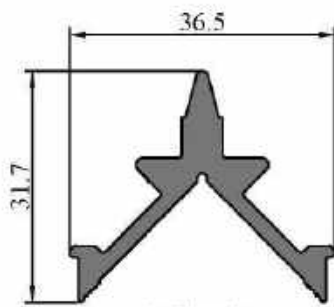
**80234**  
0.907 Kg/mtr  
W.T. -2.10mm



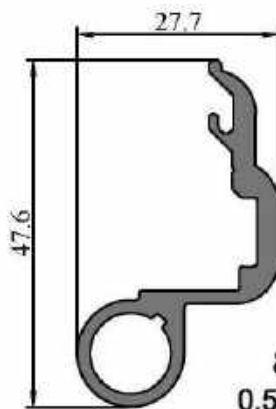
**80233**  
0.826 Kg/mtr  
W.T. -2.0mm



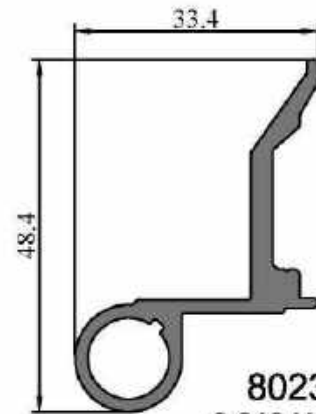
**80235**  
0.795 Kg/mtr  
W.T. -1.8,2.8mm



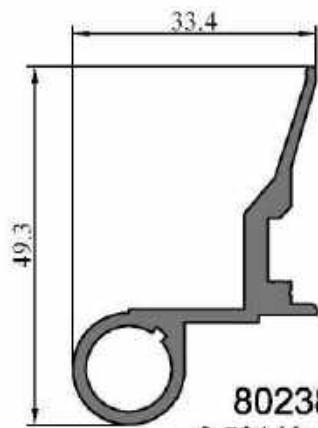
**80240**  
0.609 Kg/mtr  
W.T. -2.20mm



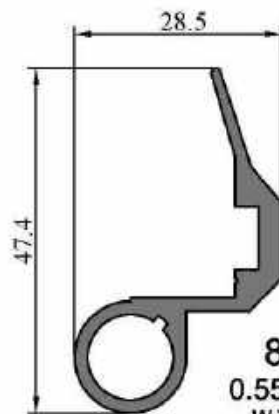
**80237**  
0.599 Kg/mtr  
W.T. -1.8,3.0mm



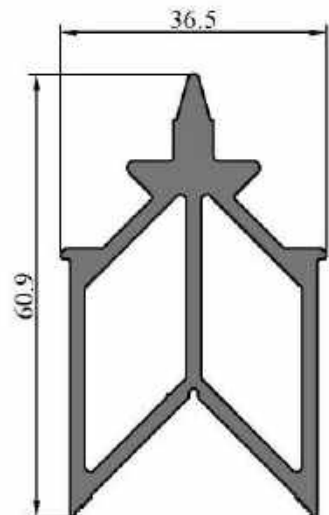
**80236**  
0.619 Kg/mtr  
W.T. -1.80mm



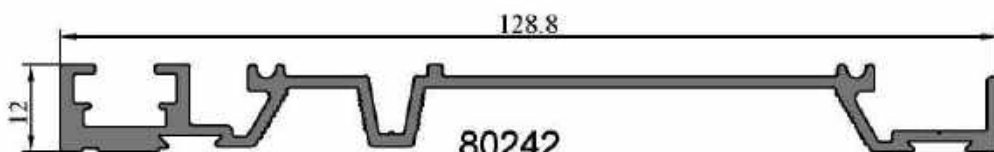
**80238**  
0.591 Kg/mtr  
W.T. -1.8,3.2mm



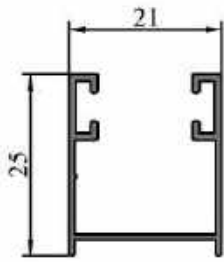
**80239**  
0.551 Kg/mtr  
W.T. -1.8,3.2mm



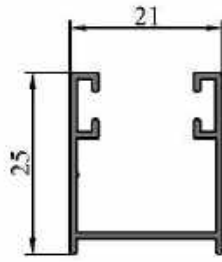
**80241**  
1.330 Kg/mtr  
W.T. -2.10mm



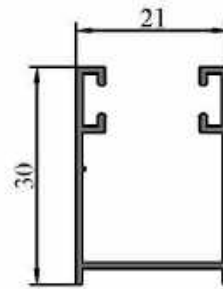
**80242**  
0.967 Kg/mtr  
W.T. -1.50mm



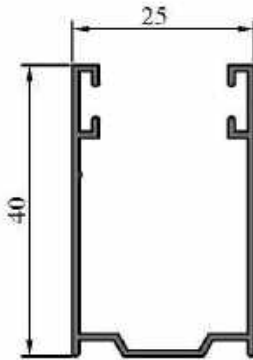
**80221**  
0.205 Kg/mtr  
W.T. -0.80mm



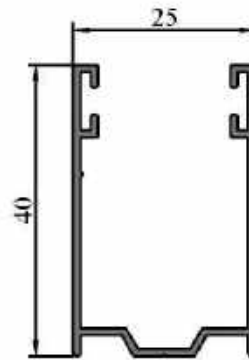
**80246**  
0.219 Kg/mtr  
W.T. -0.90mm



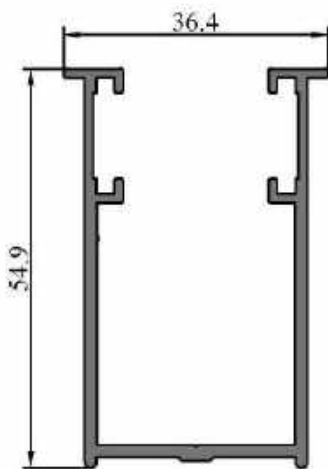
**80249**  
0.243 Kg/mtr  
W.T. -0.90mm



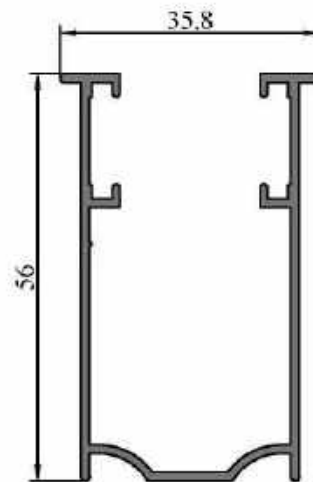
**80248**  
0.301 Kg/mtr  
W.T. -0.90mm



**80294**  
0.335 Kg/mtr  
W.T. -1.0mm

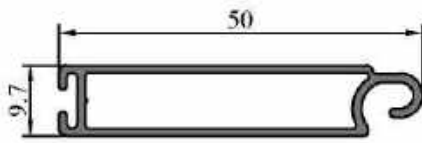


**80293**  
0.691 Kg/mtr  
W.T. -1.70mm

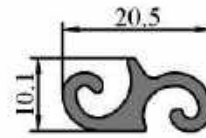


**80247**  
0.559 Kg/mtr  
W.T. -1.20mm

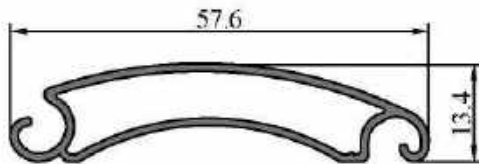




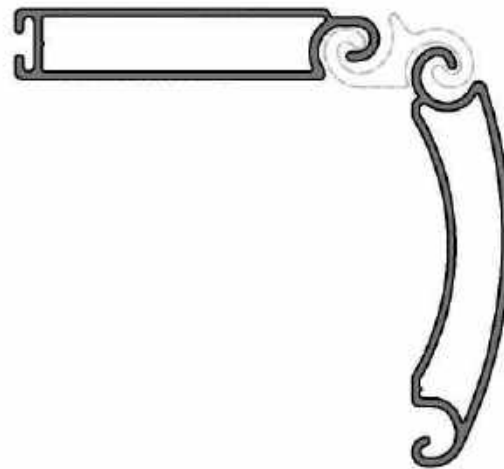
**80250**  
0.333 Kg/mtr  
W.T. -1.0mm

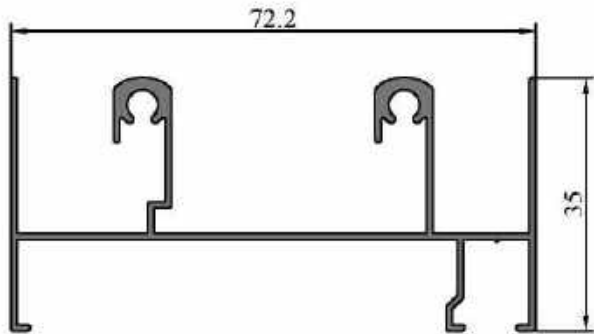


**80251**  
0.231 Kg/mtr  
W.T. -1.80mm

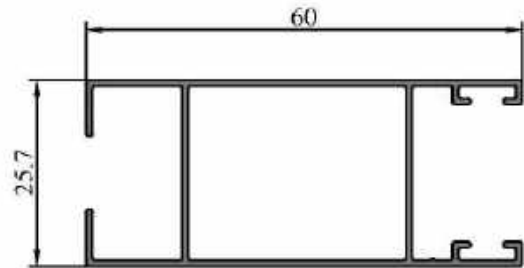


**80252**  
0.385 Kg/mtr  
W.T. -1.10mm

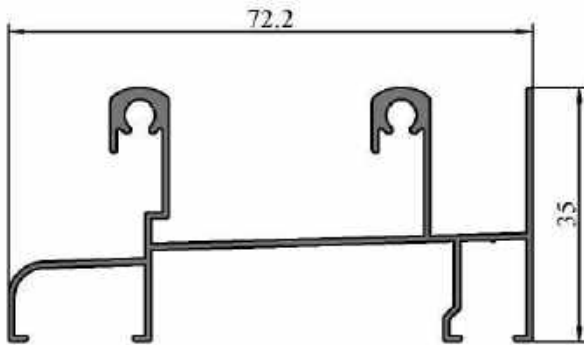




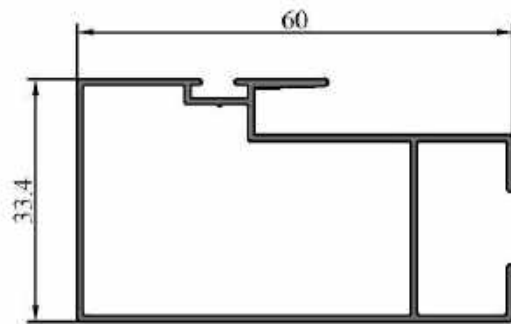
**80264**  
0.614 Kg/mtr  
W.T. -0.85mm



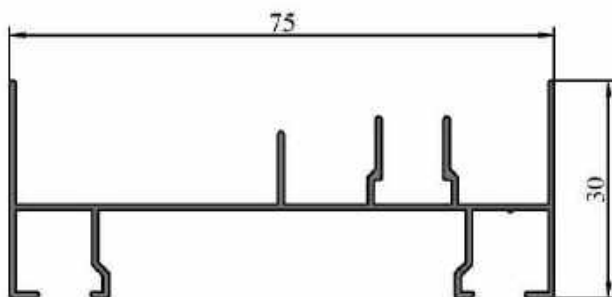
**80267**  
0.456 Kg/mtr  
W.T. -0.85mm



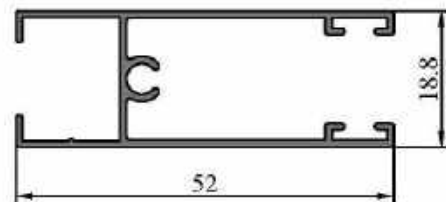
**80265**  
0.588 Kg/mtr  
W.T. -0.85mm



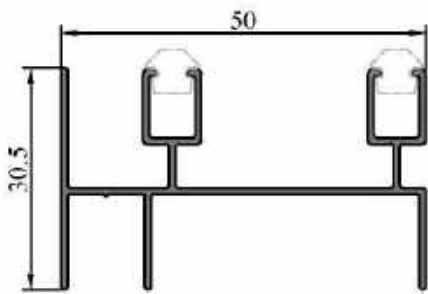
**80268**  
0.495 Kg/mtr  
W.T. -0.85mm



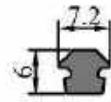
**80266**  
0.469 Kg/mtr  
W.T. -0.85mm



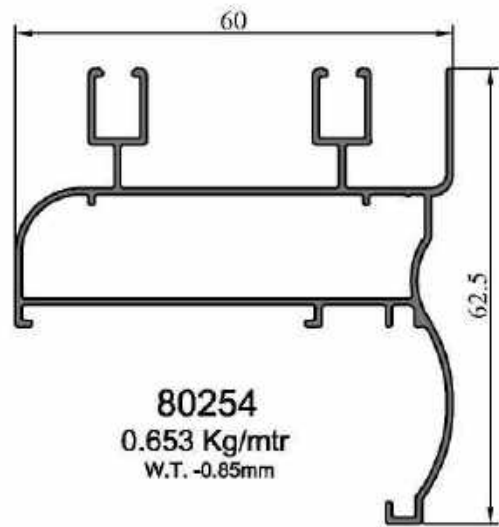
**80269**  
0.397 Kg/mtr  
W.T. - 0.90,1.0mm



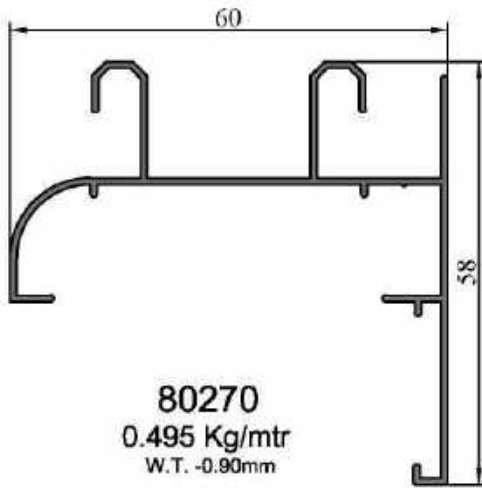
**80253**  
0.408 Kg/mtr  
W.T. -0.85mm



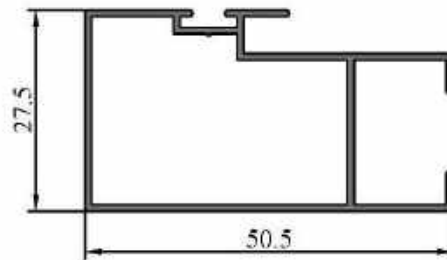
**80255**  
0.082 Kg/mtr



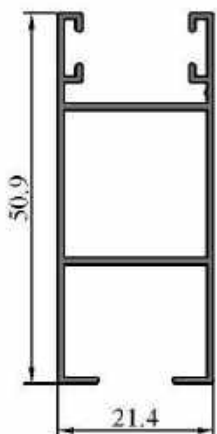
**80254**  
0.653 Kg/mtr  
W.T. -0.85mm



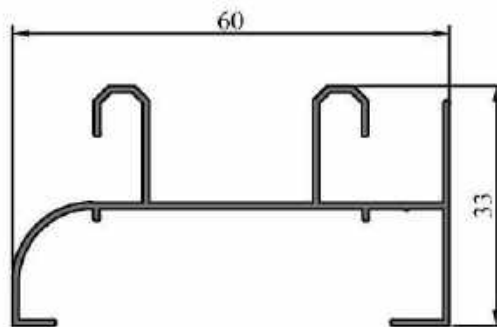
**80270**  
0.495 Kg/mtr  
W.T. -0.90mm



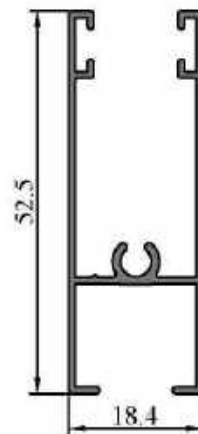
**80272**  
0.420 Kg/mtr  
W.T. -0.90mm



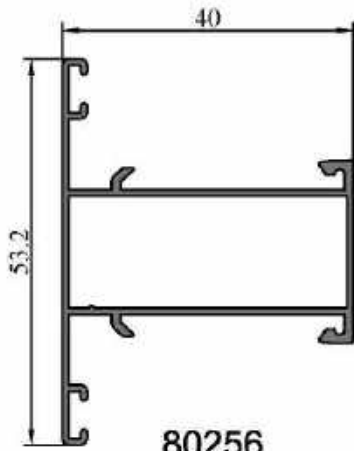
**80273**  
0.404 Kg/mtr  
W.T. -0.90mm



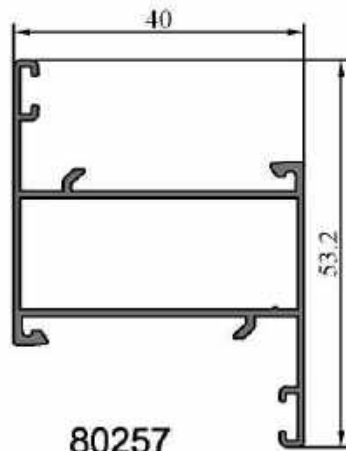
**80282**  
0.413 Kg/mtr  
W.T. -0.90mm



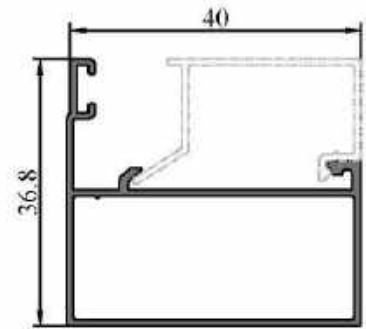
**80271**  
0.383 Kg/mtr  
W.T. -0.90mm



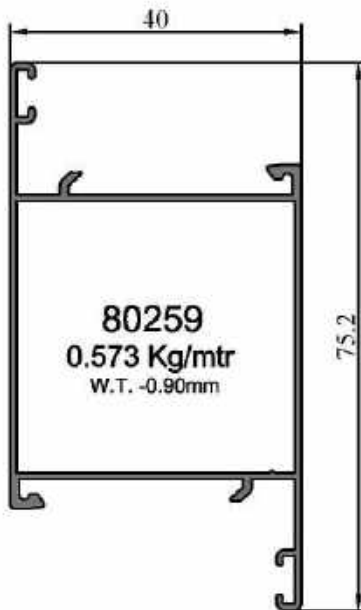
**80256**  
0.467 Kg/mtr  
W.T. -0.90mm



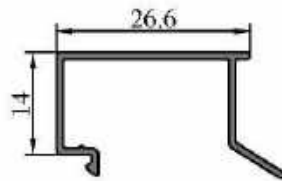
**80257**  
0.467 Kg/mtr  
W.T. -0.90mm



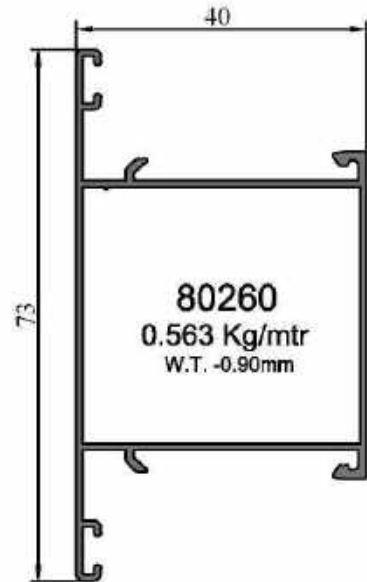
**80258**  
0.379 Kg/mtr  
W.T. -0.90mm



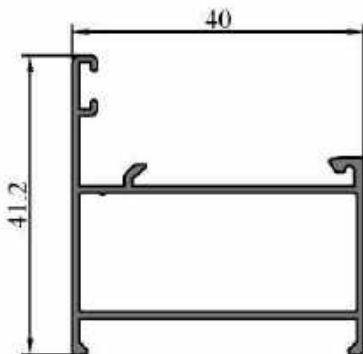
**80259**  
0.573 Kg/mtr  
W.T. -0.90mm



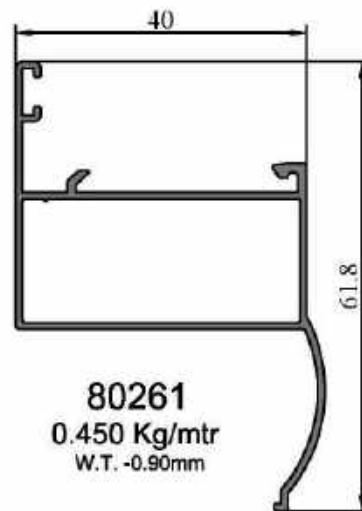
**80211**  
0.165 Kg/mtr  
W.T. -0.90mm



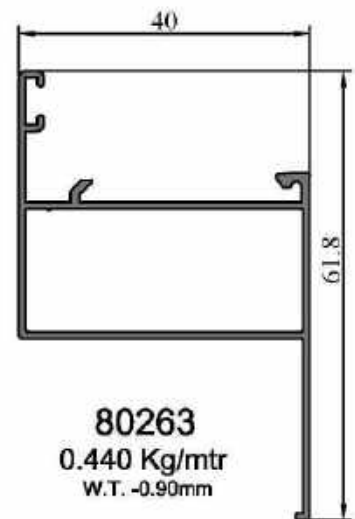
**80260**  
0.563 Kg/mtr  
W.T. -0.90mm



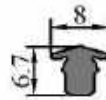
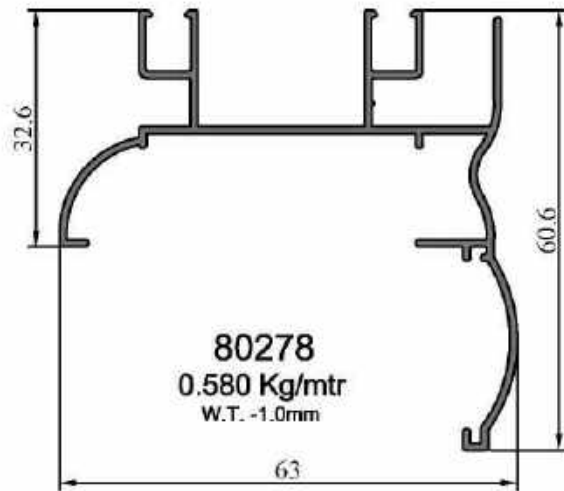
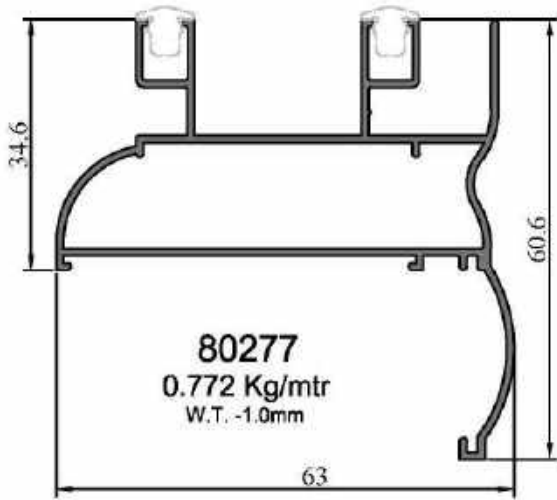
**80262**  
0.448 Kg/mtr  
W.T. -0.90mm



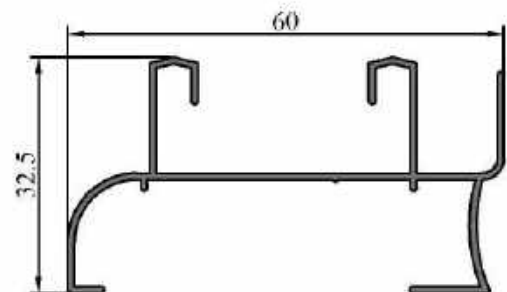
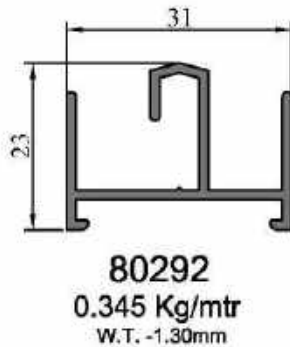
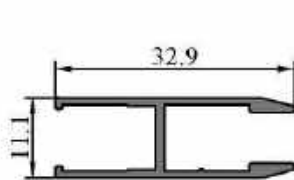
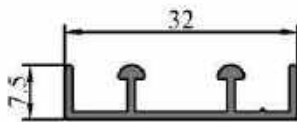
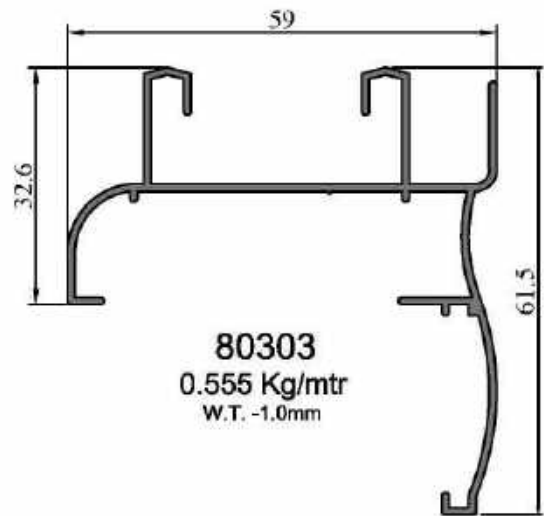
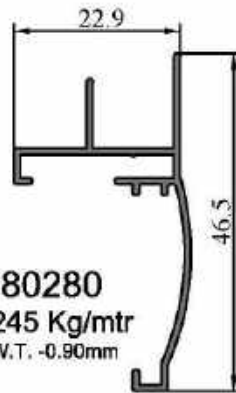
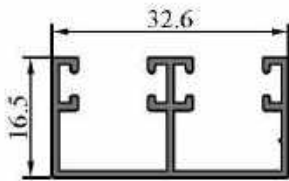
**80261**  
0.450 Kg/mtr  
W.T. -0.90mm

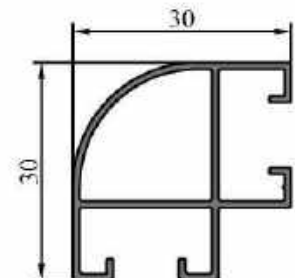
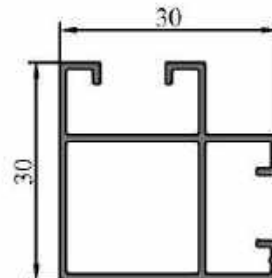
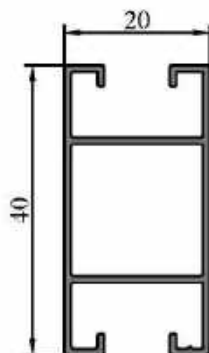
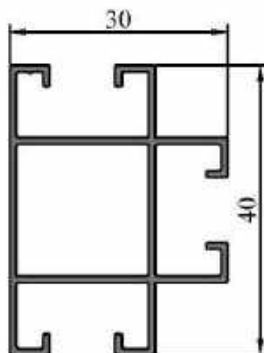
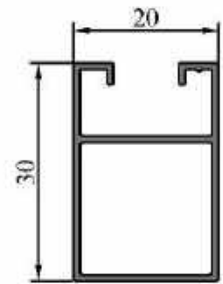
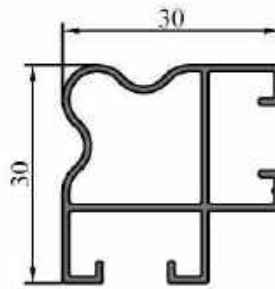
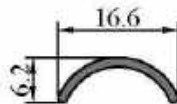
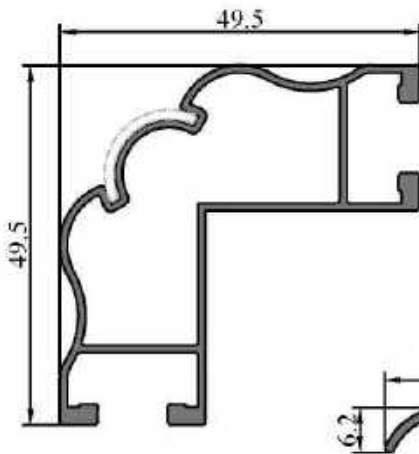
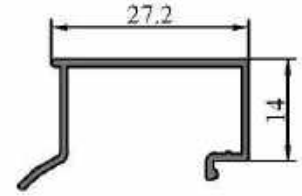
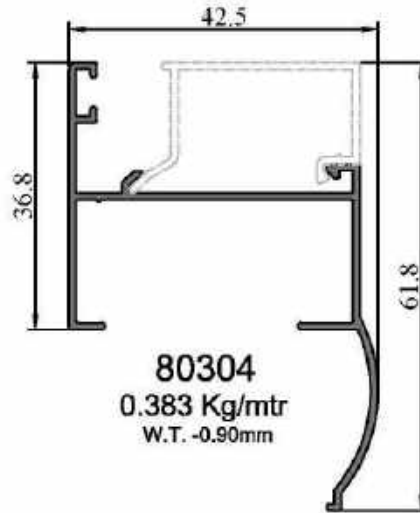
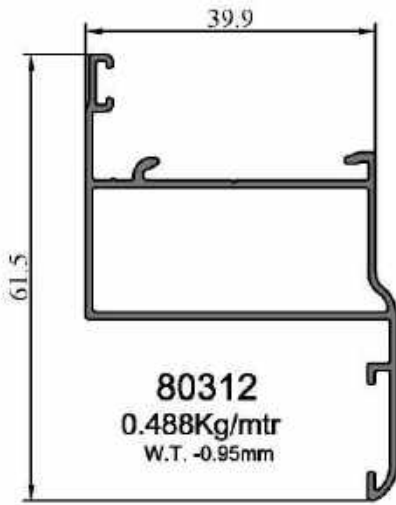


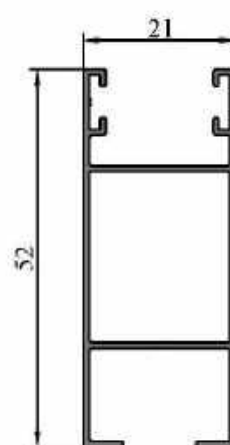
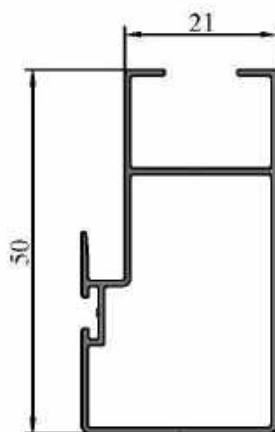
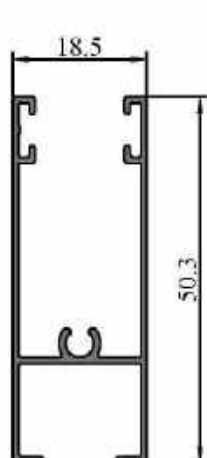
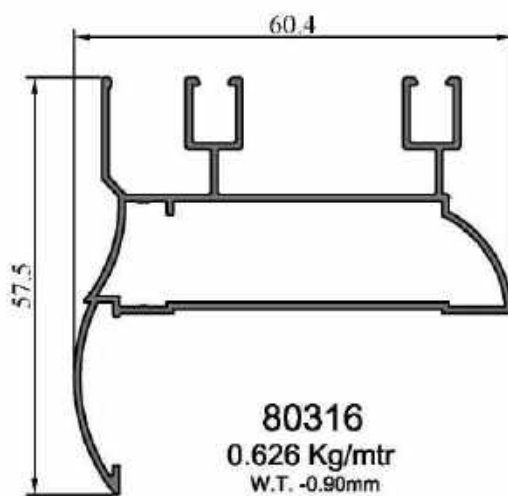
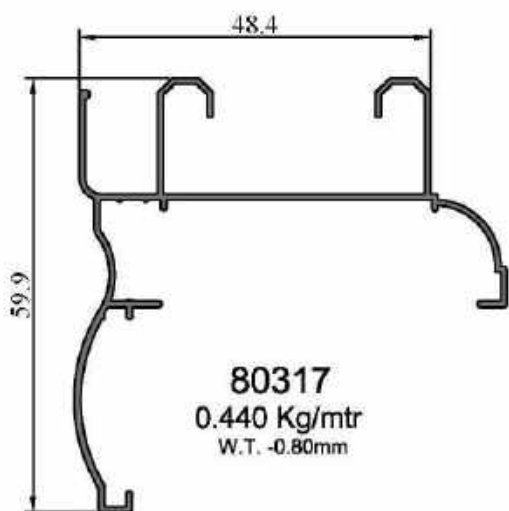
**80263**  
0.440 Kg/mtr  
W.T. -0.90mm



80279  
0.081Kg/mtr



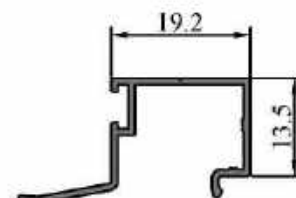
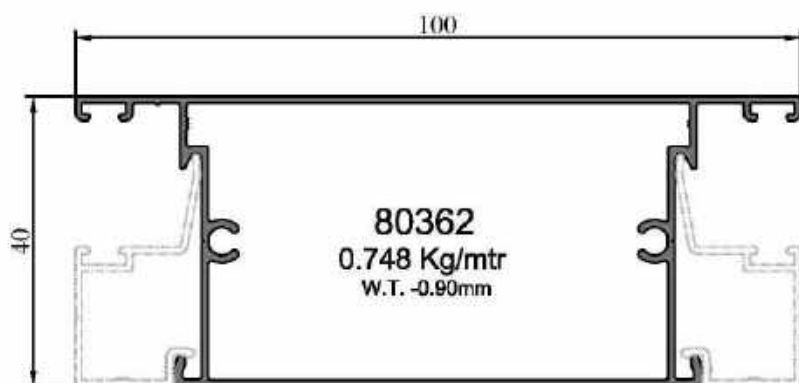




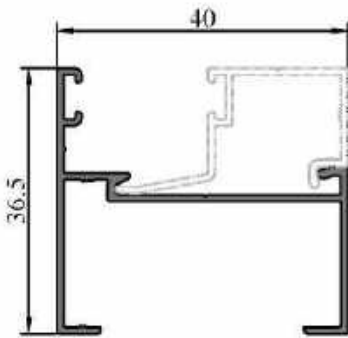
80313  
0.331 Kg/mtr  
W.T. -0.80mm

80314  
0.369 Kg/mtr  
W.T. -0.80mm

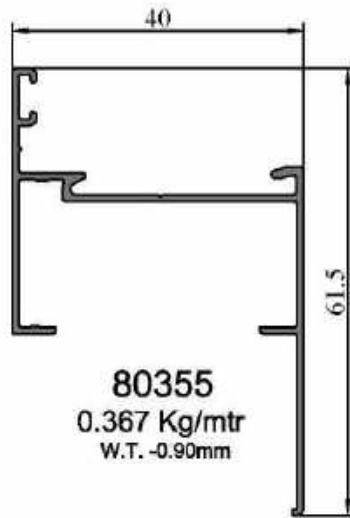
80315  
0.363 Kg/mtr  
W.T. -0.80mm



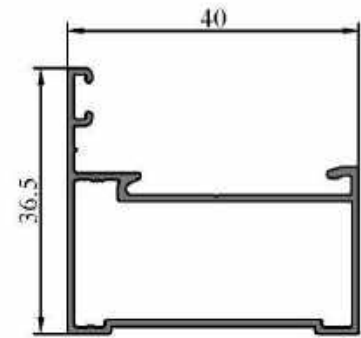
80363  
0.172 Kg/mtr  
W.T. -0.90mm



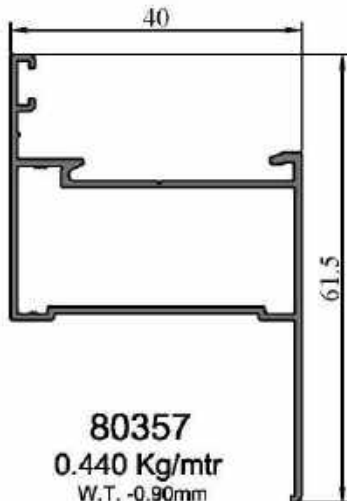
**80354**  
0.305 Kg/mtr  
W.T. -0.90mm



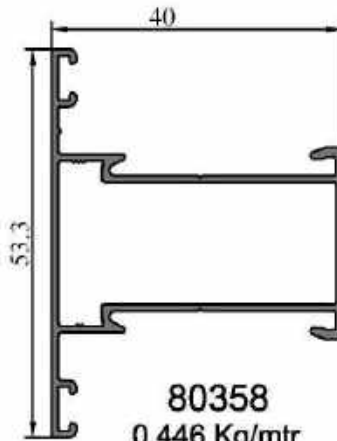
**80355**  
0.367 Kg/mtr  
W.T. -0.90mm



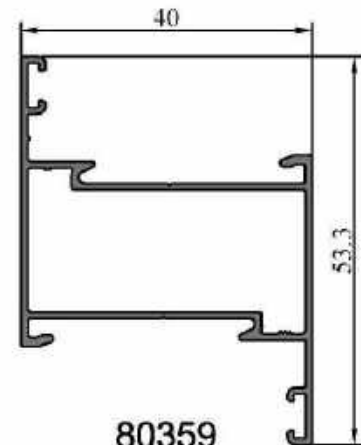
**80356**  
0.378 Kg/mtr  
W.T. -0.90mm



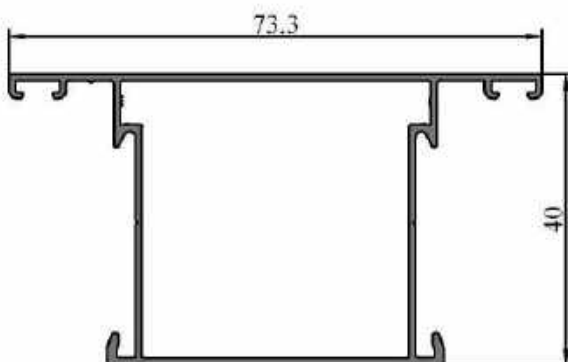
**80357**  
0.440 Kg/mtr  
W.T. -0.90mm



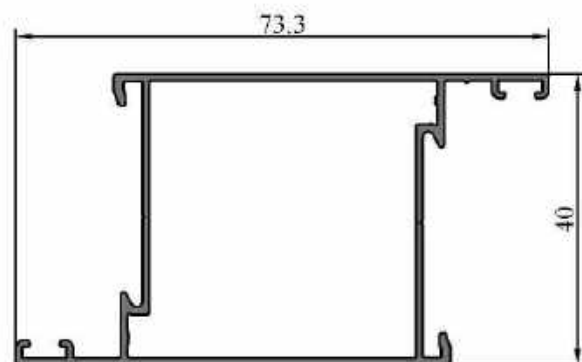
**80358**  
0.446 Kg/mtr  
W.T. -0.90mm



**80359**  
0.446 Kg/mtr  
W.T. -0.90mm

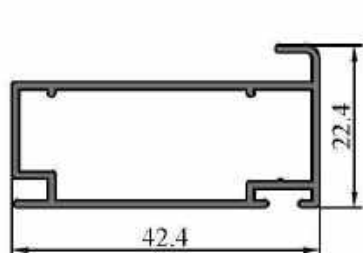


**80360**  
0.563 Kg/mtr  
W.T. -0.90mm

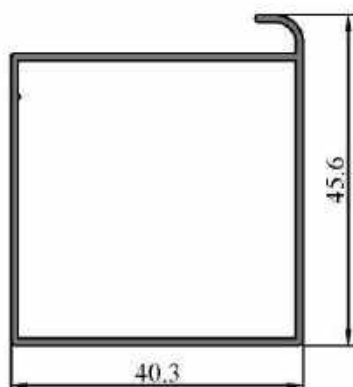


**80361**  
0.563 Kg/mtr  
W.T. -0.90mm

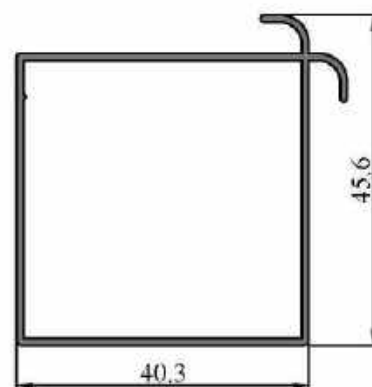




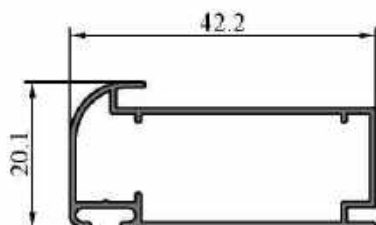
**80274**  
0.371 Kg/mtr  
W.T. -1.0mm



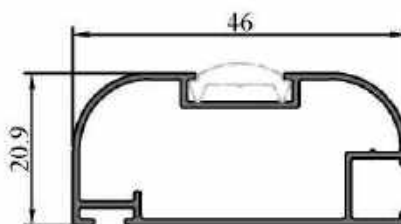
**80275**  
0.449 Kg/mtr  
W.T. -1.0mm



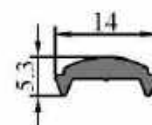
**80276**  
0.475 Kg/mtr  
W.T. -1.0mm



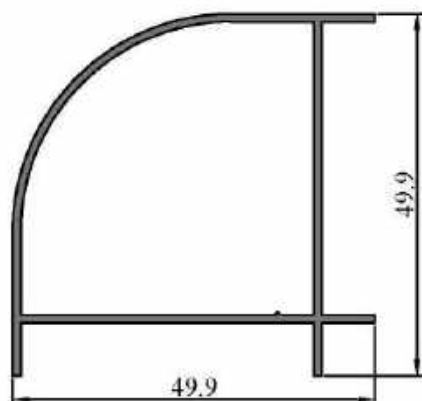
**80311**  
0.305 Kg/mtr  
W.T. -0.83mm



**80306**  
0.342 Kg/mtr  
W.T. -0.85mm

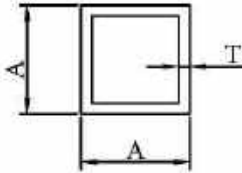


**80307**  
0.096 Kg/mtr  
W.T. -2.9mm



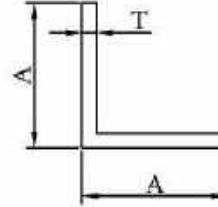
**80243**  
0.543 Kg/mtr  
W.T. -1.10mm

## SQUARE TUBES



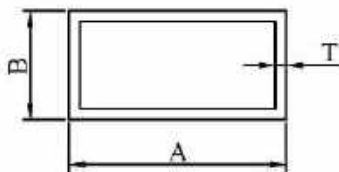
Sl.	SEC NO.	Description(mm)			WEIGHT kg/mtr
		A	T		
01.	40047	20.00	1.20		0.243
02.	40048	25.00	1.10		0.283
03.	40049	35.00	1.10		0.402
04.	80365	40.00	0.80		0.339
05.	80281	40.00	0.90		0.381
06.	40050	40.00	1.10		0.462
07.	40051	50.00	1.20		0.632
08.	40052	50.00	2.00		1.037

## EQUAL ANGLES



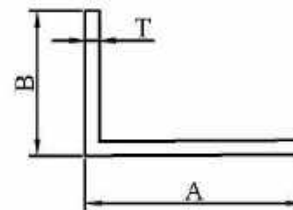
Sl.	SEC NO.	Description			WEIGHT kg/mtr
		A	T		
01.	30046	15.00	1.00		0.078
02.	30052	15.00	1.10		0.085
03.	30047	20.00	1.00		0.105
04.	80310	20.00	1.05		0.110
05.	30048	25.00	1.00		0.135
06.	30053	25.00	1.10		0.145
07.	30049	30.00	1.00		0.159
08.	30054	30.00	1.10		0.175
09.	30008	30.00	3.00		0.462
10.	30050	40.00	1.00		0.213
11.	30055	40.00	1.10		0.242

## RECTANGLE TUBES



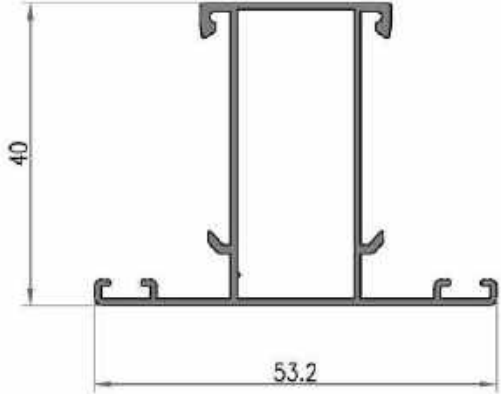
Sl.	SEC NO.	Description			WEIGHT kg/mtr
		A	B	T	
01.	80366	40.00	80.00	0.85	0.543
02.	80244	40.00	80.00	0.90	0.574
03.	80245	40.00	60.00	0.90	0.478
04.	40044	40.00	20.00	1.10	0.343
05.	40045	40.00	60.00	1.10	0.580
06.	40046	40.00	80.00	1.10	0.699
07.	40014	100.00	50.00	2.00	1.577

## UNEQUAL ANGLES

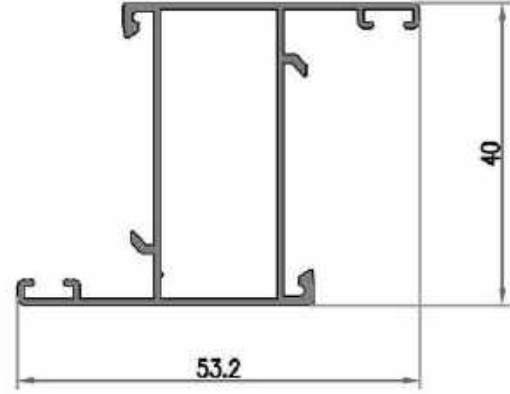


Sl.	SEC NO.	Description			WEIGHT kg/mtr
		A	B	T	
01.	80364	20.00	40.00	0.90	0.144
02.	30051	40.00	20.00	1.00	0.159
03.	30056	40.00	20.00	1.10	0.175

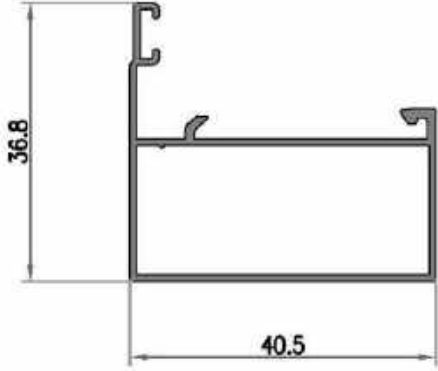
# TUNISIA PROFILES



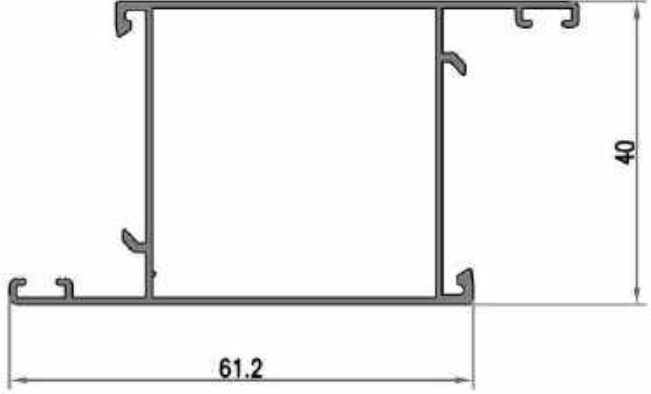
**80256**  
0.467 Kg/mtr  
W.T. -0.90mm



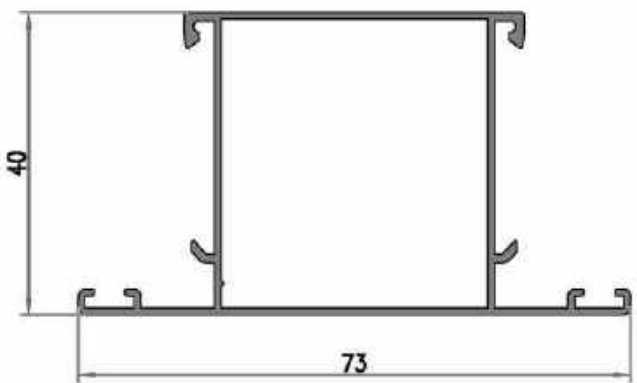
**80257**  
0.467 Kg/mtr  
W.T. -0.90mm



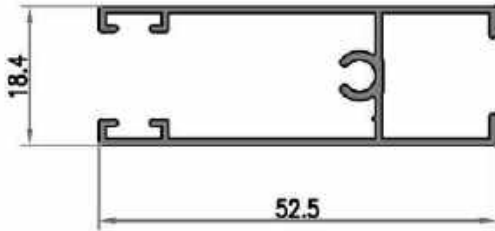
**80258**  
0.379 Kg/mtr  
W.T. -0.90mm



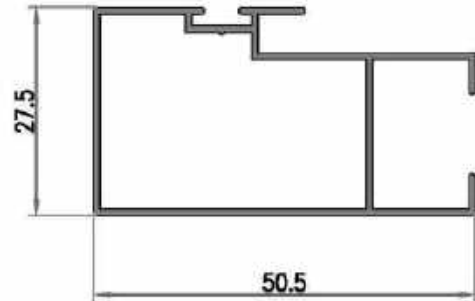
**80259**  
0.573 Kg/mtr  
W.T. -0.90mm



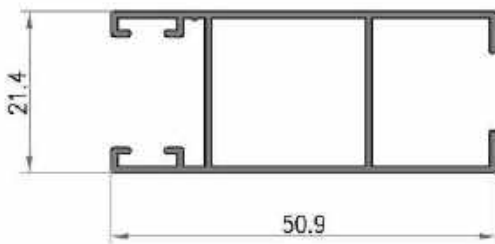
**80260**  
0.563 Kg/mtr  
W.T. -0.90mm



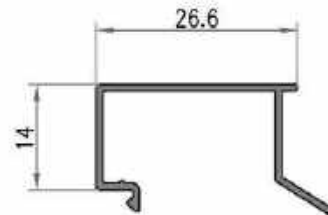
**80271**  
0.383 Kg/mtr  
W.T. -0.90mm



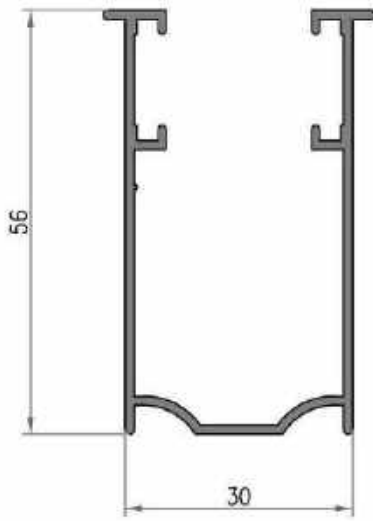
**80272**  
0.420 Kg/mtr  
W.T. -0.90mm



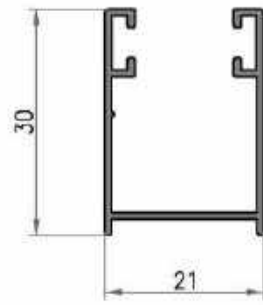
**80273**  
0.404 Kg/mtr  
W.T. -0.90mm



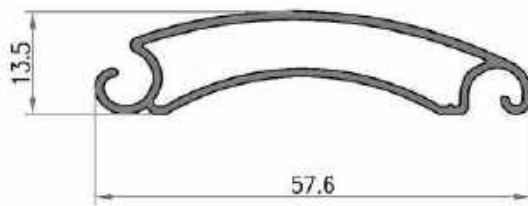
**80211**  
0.165 Kg/mtr  
W.T. -0.90mm



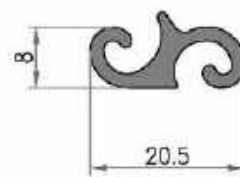
**80247**  
0.559 Kg/mtr  
W.T. -1.20mm



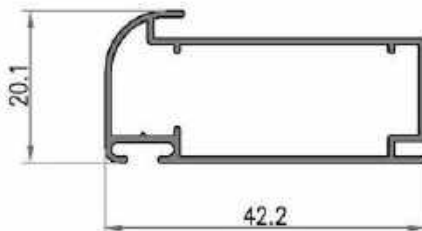
**80249**  
0.243 Kg/mtr  
W.T. -0.90mm



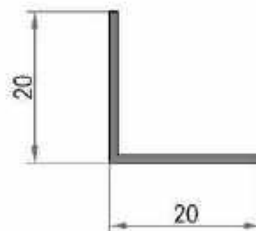
**80252**  
0.385 Kg/mtr  
W.T. -1.10mm



**80251**  
0.231 Kg/mtr



**80311**  
0.305 Kg/mtr  
W.T. -0.83mm

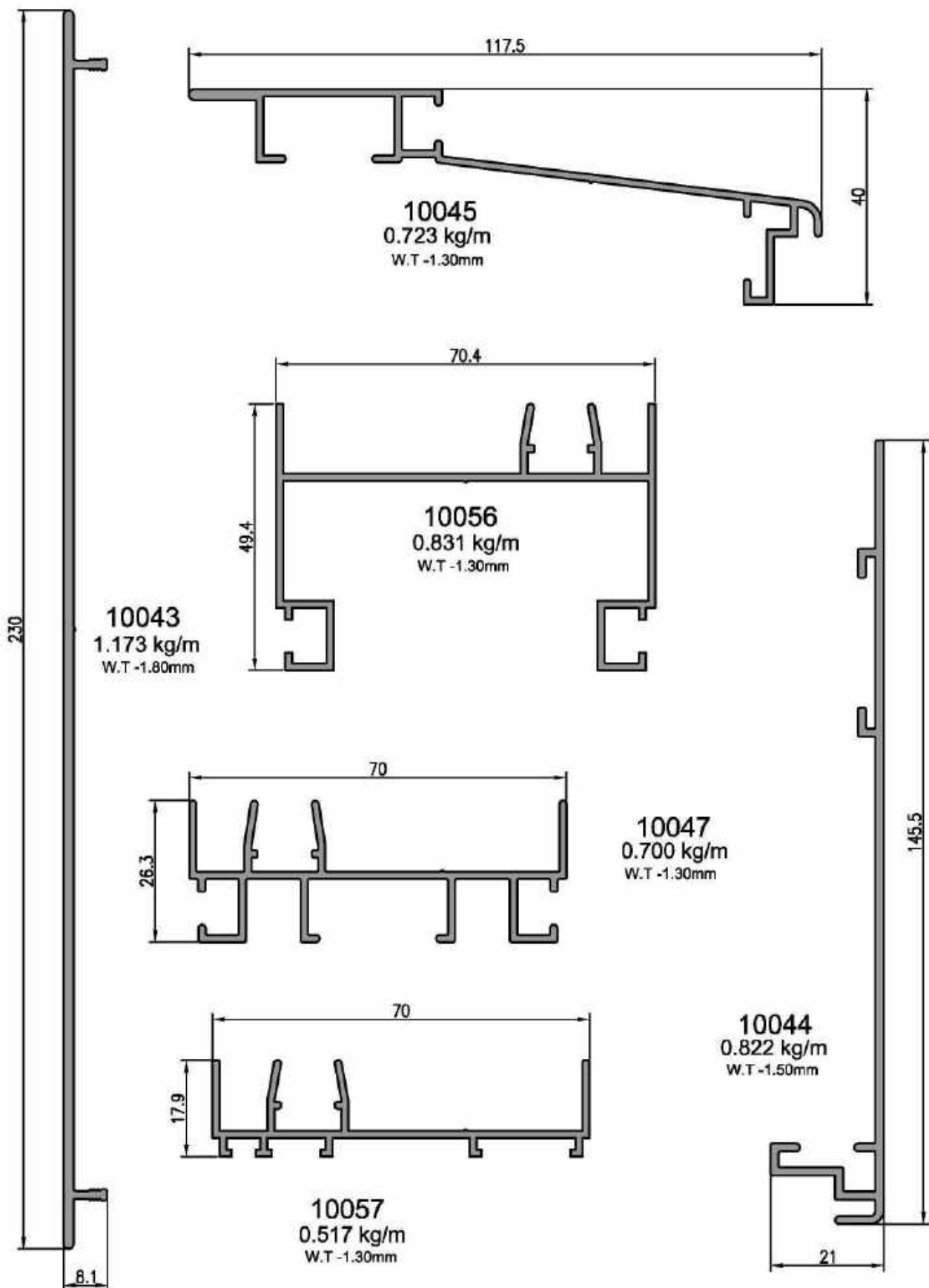


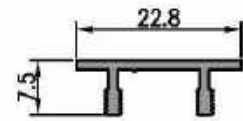
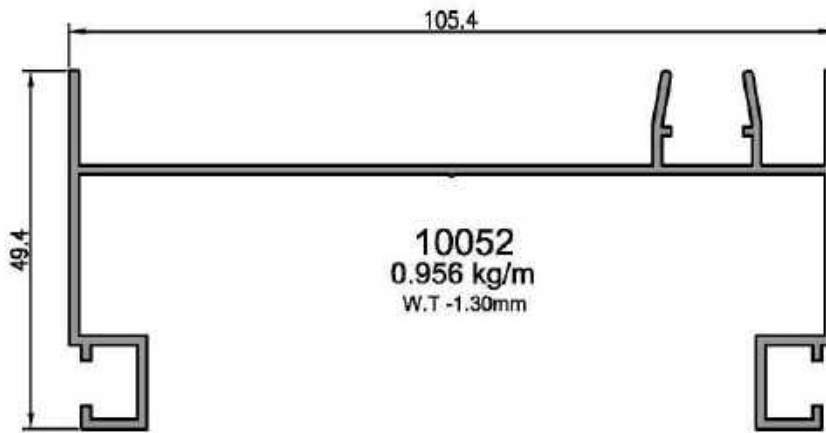
**80310**  
0.110 Kg/mtr  
W.T. -1.05mm



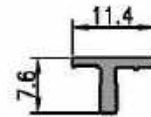
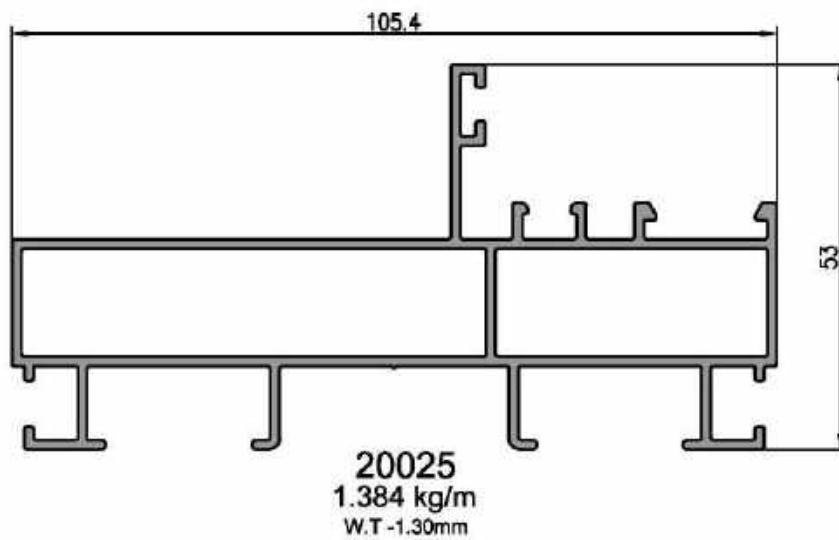
# PALESTINE PROFILES

# PELESTINE PROFILES

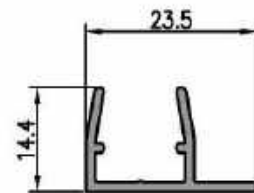




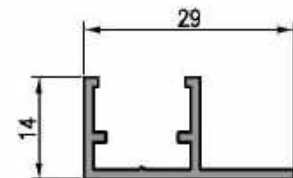
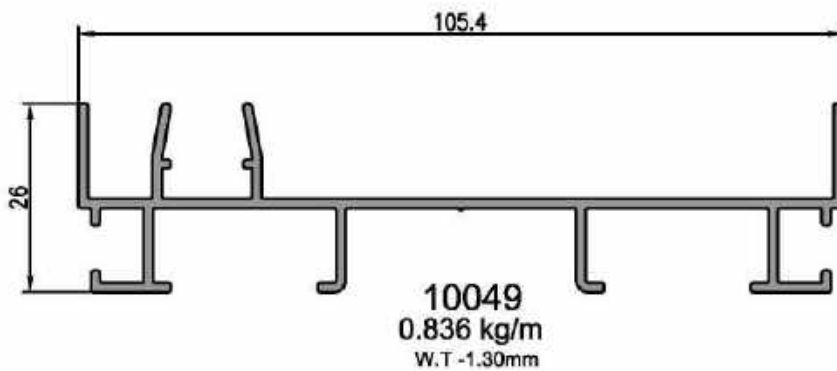
10061  
0.138 kg/m  
W.T -1.30mm



10060  
0.076 kg/m  
W.T -1.30mm



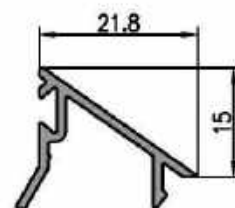
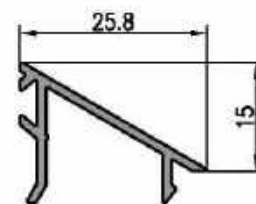
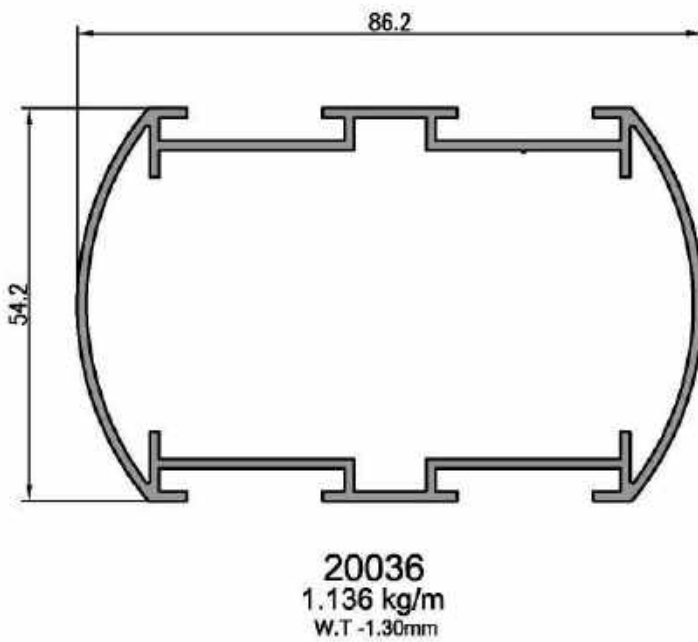
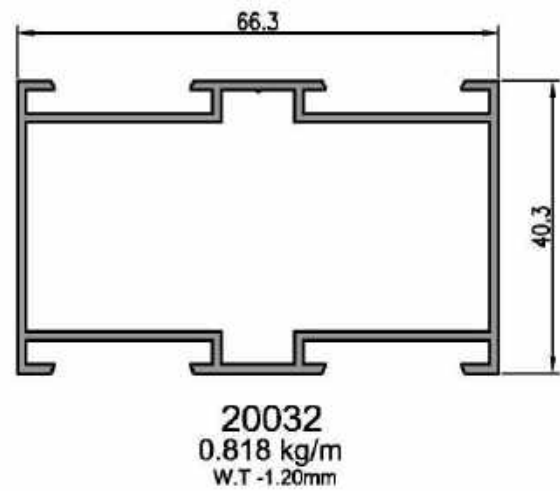
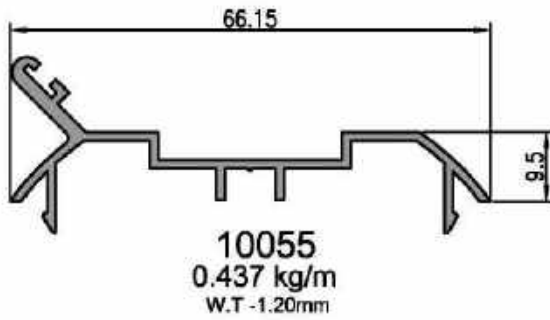
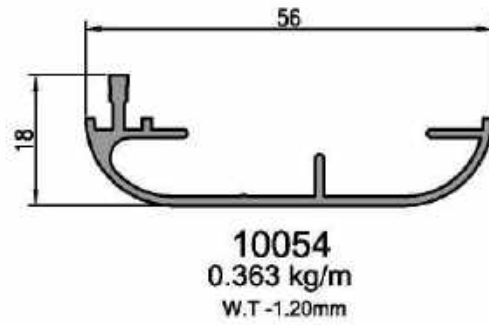
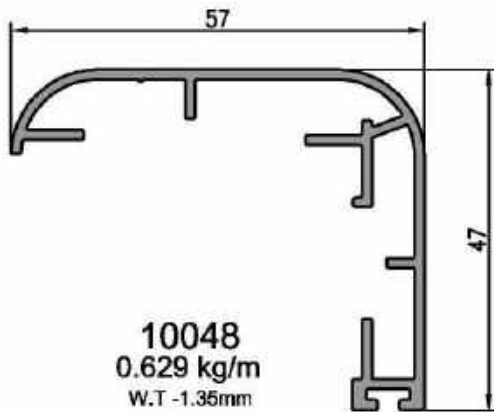
10059  
0.183 kg/m  
W.T -1.30mm

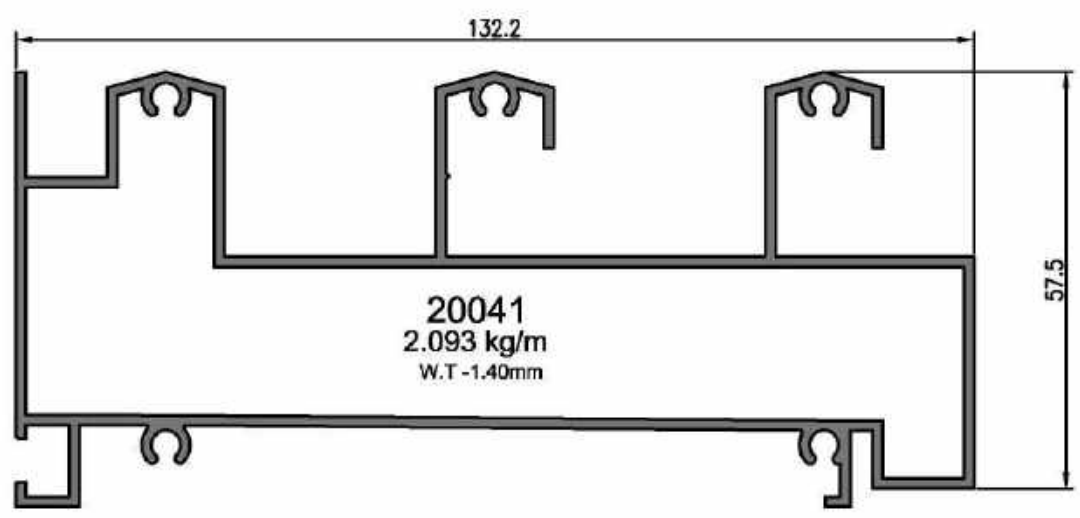
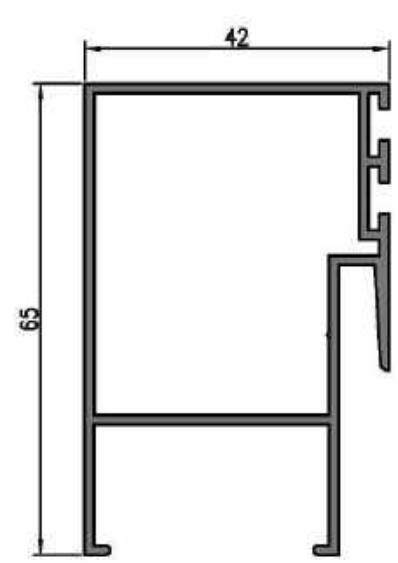
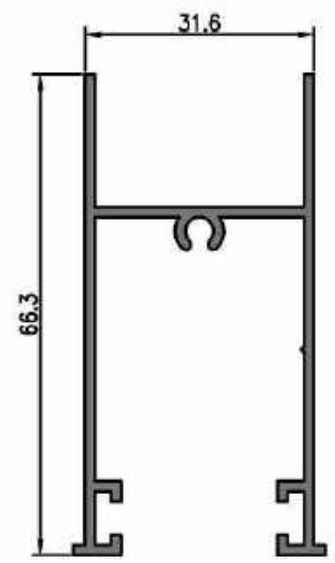
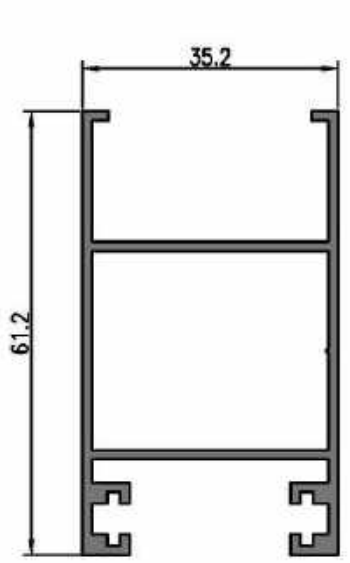
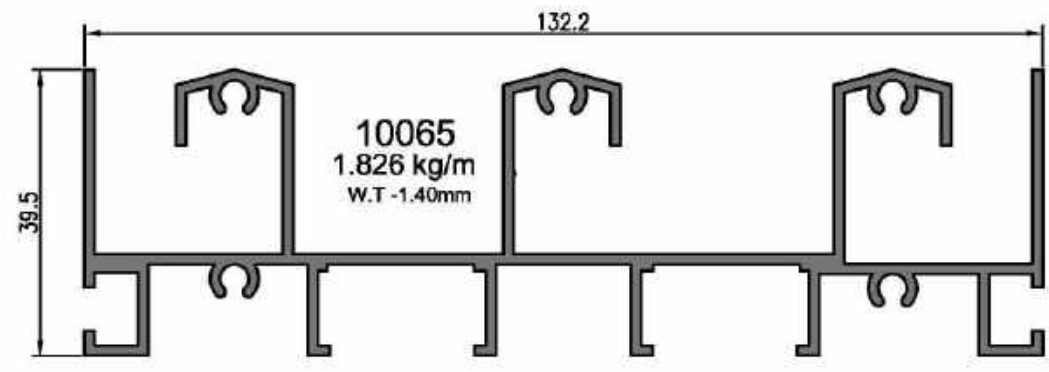


10062  
0.208 kg/m  
W.T -1.30mm

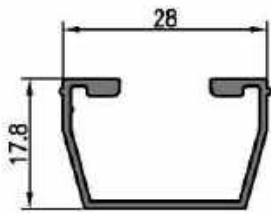


# PELESTINE PROFILES

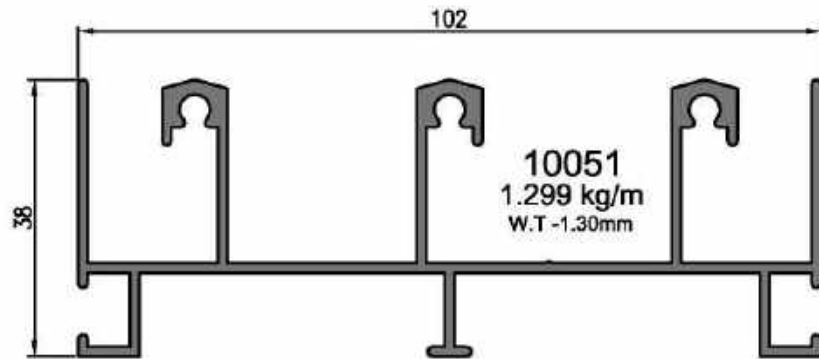




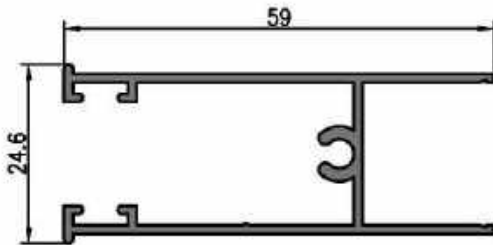
# PELESTINE PROFILES



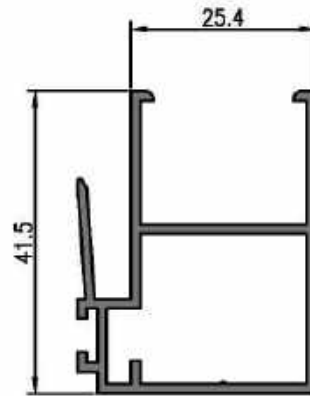
**10134**  
0.224 Kg/mtr  
W.T. -1.0mm



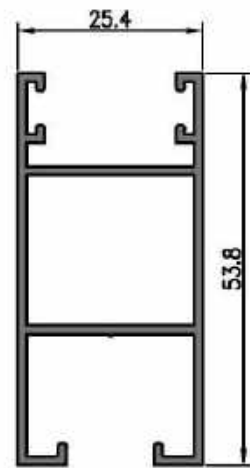
**10051**  
1.299 kg/m  
W.T -1.30mm



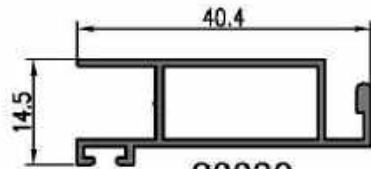
**10063**  
0.553 kg/m  
W.T -1.20mm



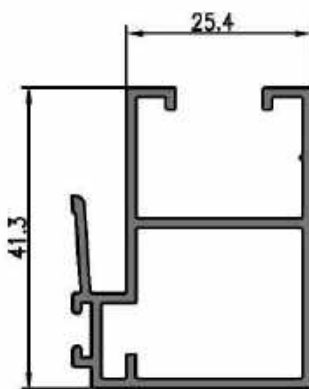
**20035**  
0.586 kg/m  
W.T -1.30mm



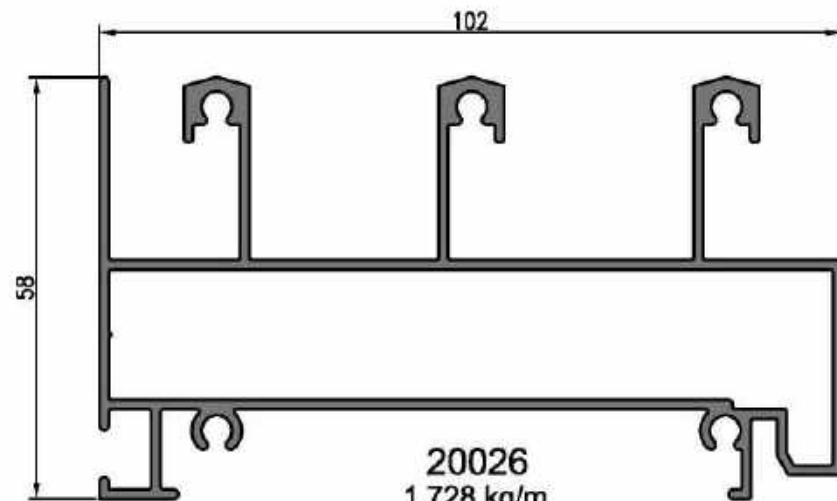
**20031**  
0.592 kg/m  
W.T -1.20mm



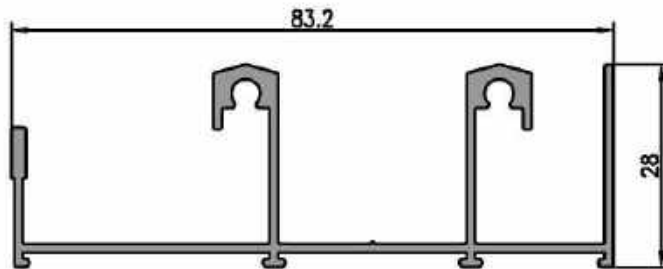
**20030**  
0.306 kg/m  
W.T -1.00mm



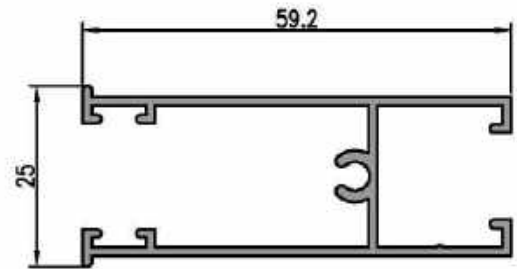
**20028**  
0.621 kg/m  
W.T -1.30mm



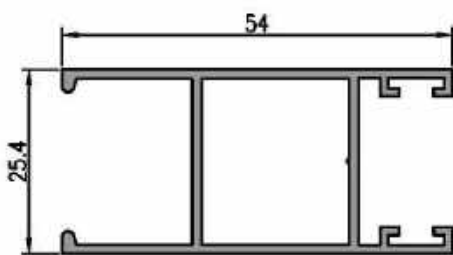
**20026**  
1.728 kg/m  
W.T -1.30mm



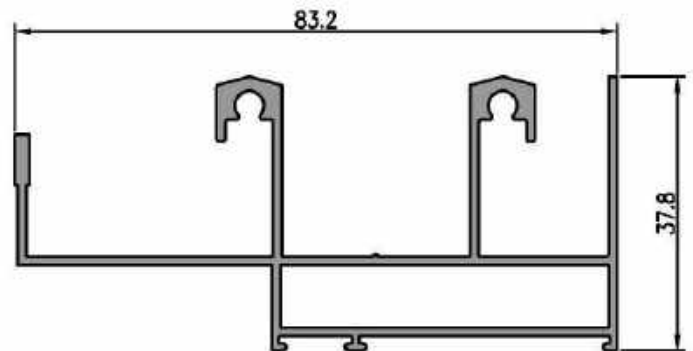
**10050**  
0.789 kg/m  
W.T -1.20mm



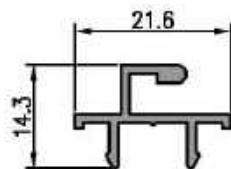
**10053**  
0.582 kg/m  
W.T -1.20mm



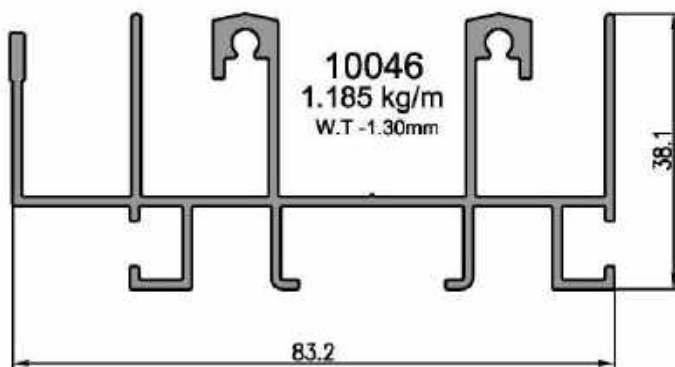
**20040**  
0.595 kg/m  
W.T -1.30mm



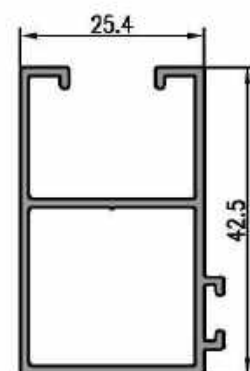
**20029**  
0.987 kg/m  
W.T -1.20mm



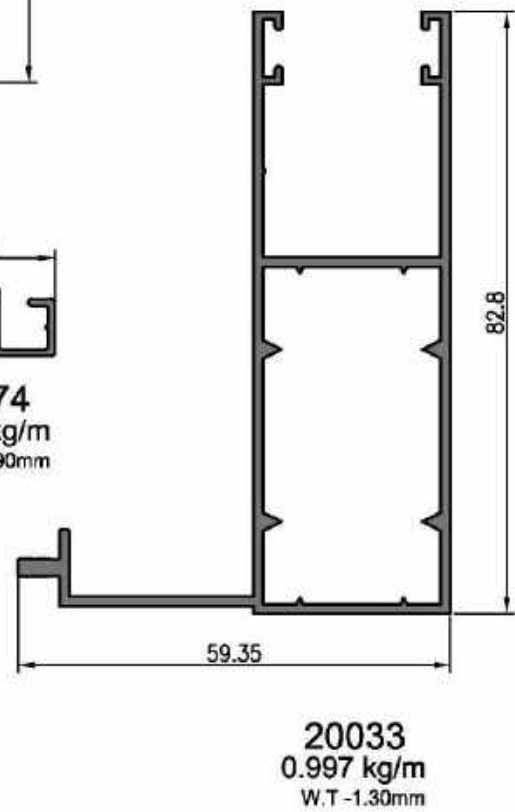
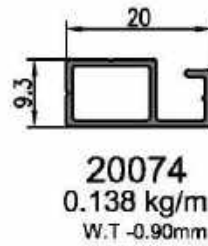
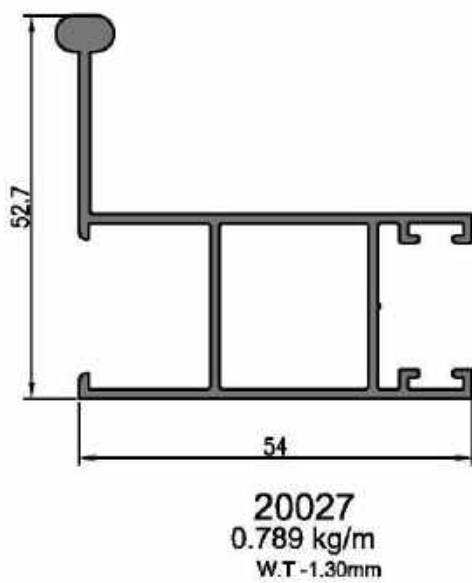
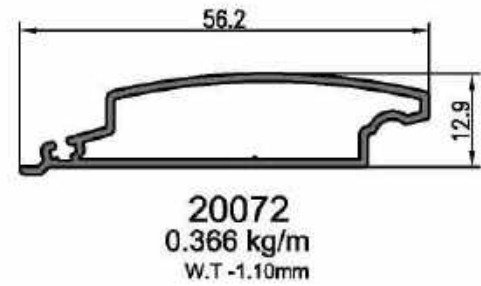
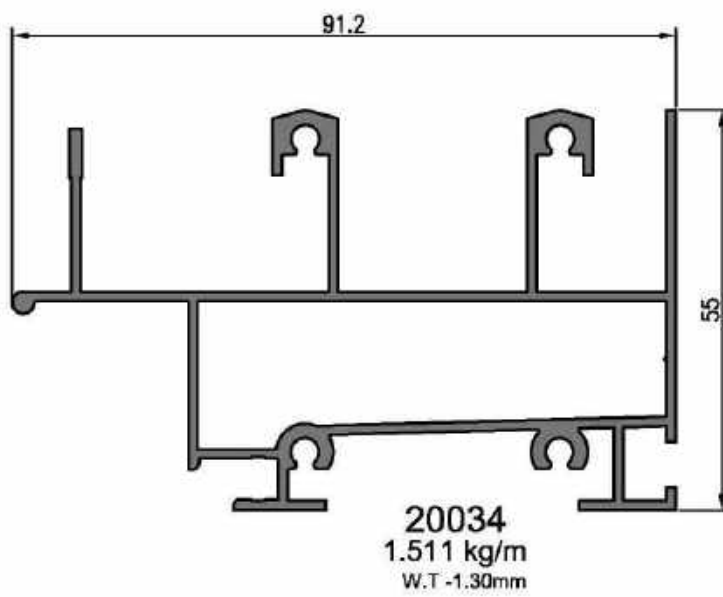
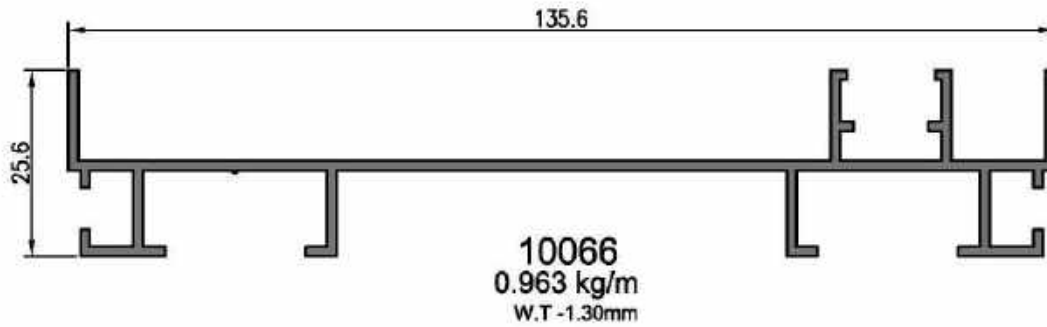
**10058**  
0.176 kg/m  
W.T -1.30mm

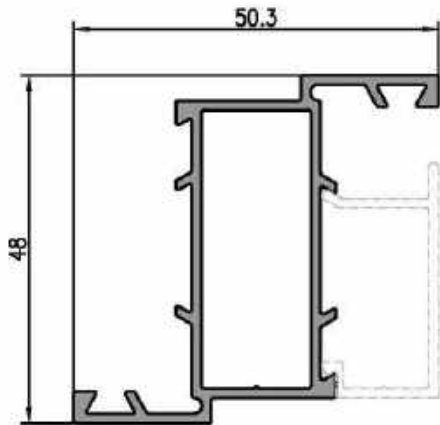


**10046**  
1.185 kg/m  
W.T -1.30mm

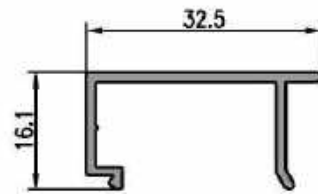


**20073**  
0.495 kg/m  
W.T -1.20mm

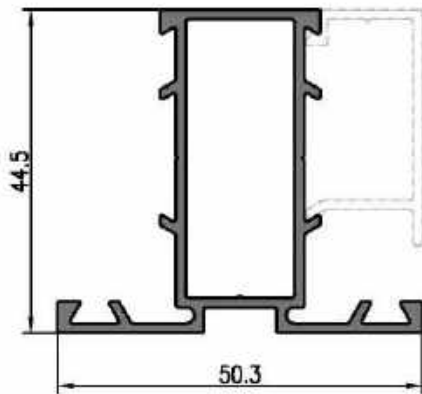




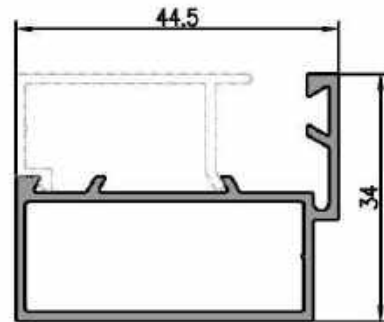
**20106**  
0.682 Kg/mtr  
W.T. -1.30mm



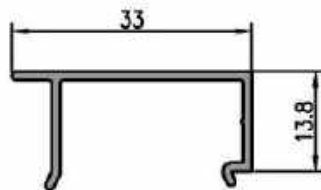
**10113**  
0.230 kg/mtr  
W.T -1.30mm



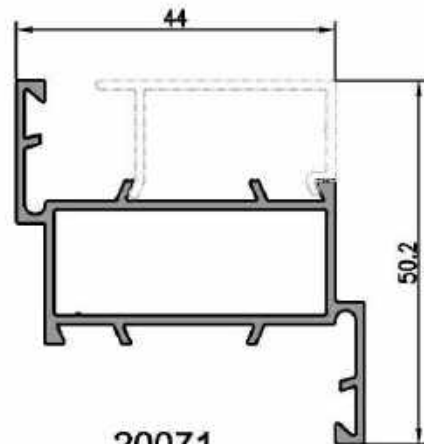
**20107**  
0.689 Kg/mtr  
W.T. -1.30mm



**20108**  
0.542 Kg/mtr  
W.T. -1.30mm

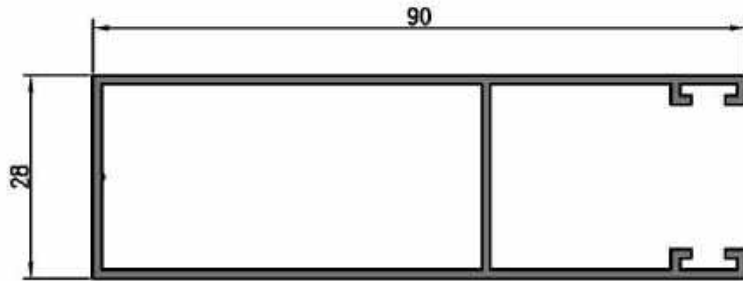


**10094**  
0.211 kg/m  
W.T -1.20mm

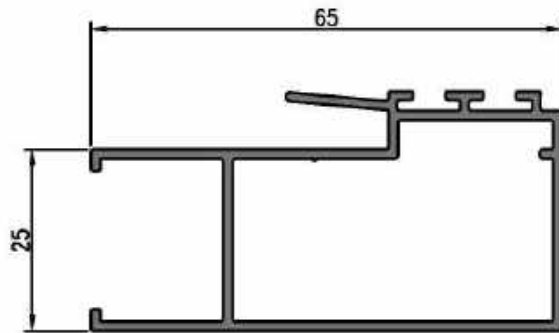


**20071**  
0.623 kg/m  
W.T -1.20mm

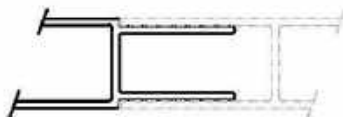
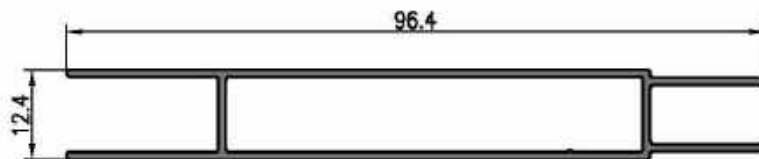
# PELESTINE PROFILES



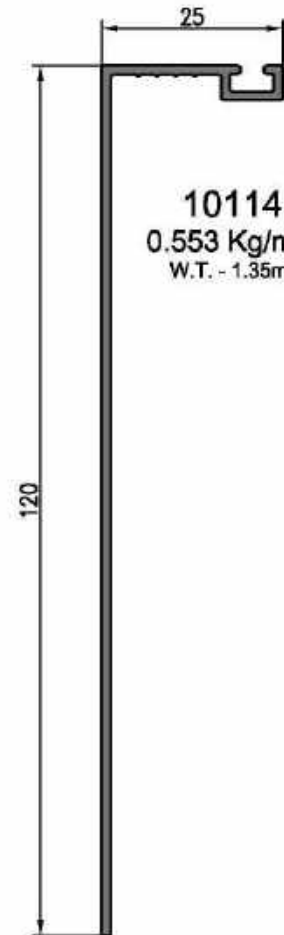
**20039**  
0.807 kg/m  
W.T -1.20mm



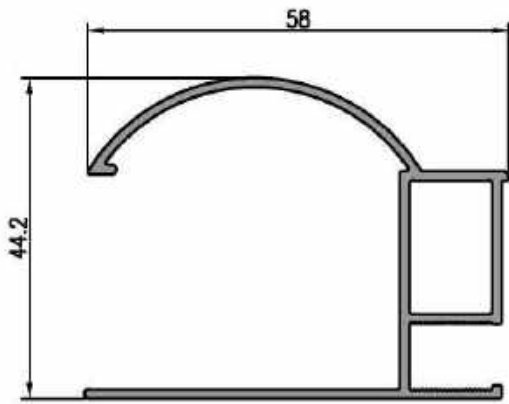
**20042**  
0.769 kg/m  
W.T -1.30mm



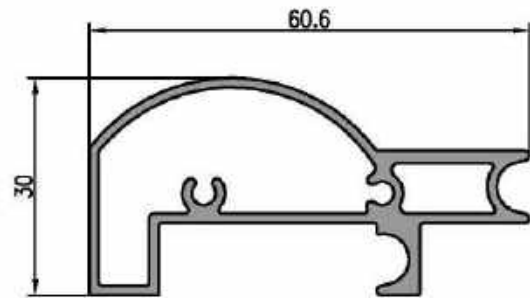
**20132**  
0.577 Kg/mtr  
W.T. -1.0mm



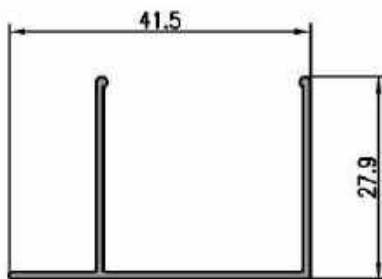
**10114**  
0.553 Kg/mtr  
W.T. - 1.35mm



**80025**  
0.654 Kg/mtr  
W.T. - 1.30mm



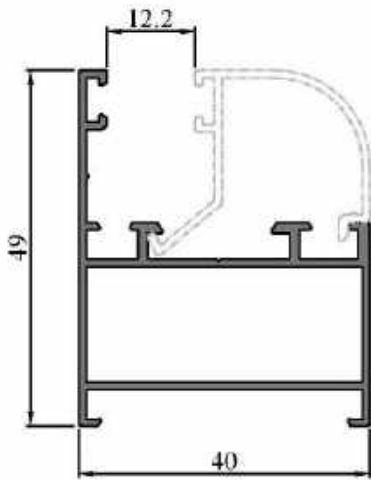
**80026**  
0.780 Kg/mtr  
W.T. - 1.30mm



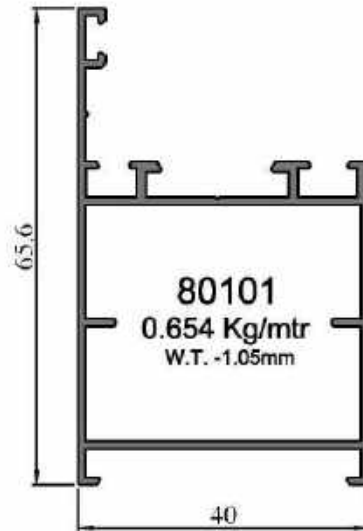
**80024**  
0.259 Kg/mtr  
W.T. - 1.0mm



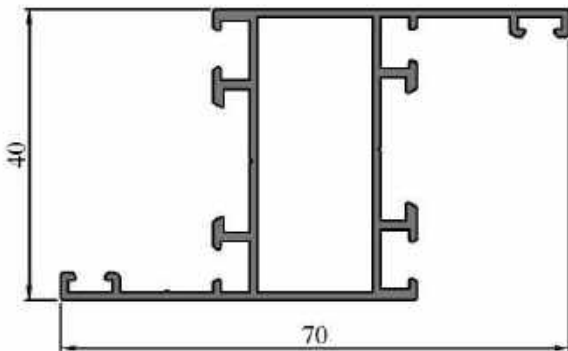
# TUNISIA PROFILES



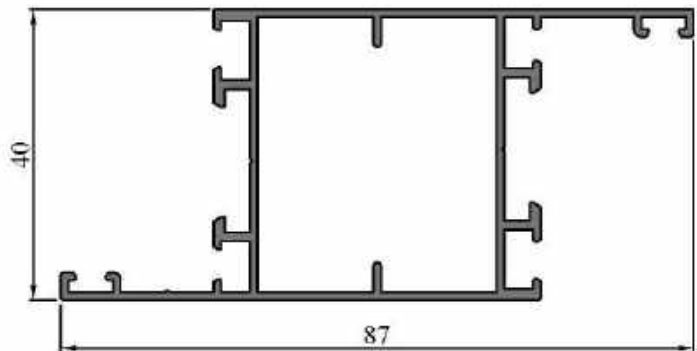
**80100**  
0.537 Kg/mtr  
W.T. -1.05mm



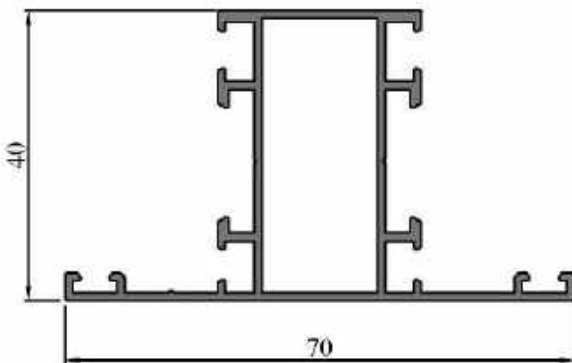
**80101**  
0.654 Kg/mtr  
W.T. -1.05mm



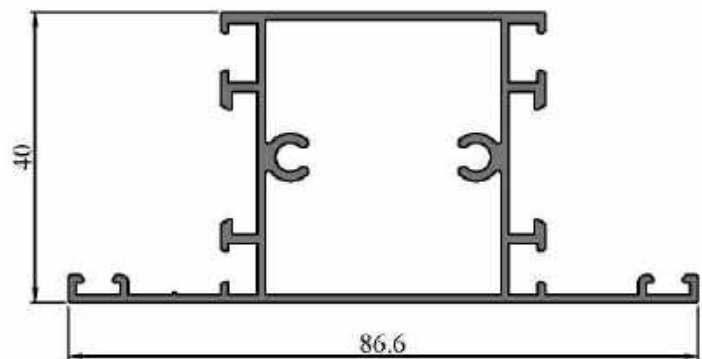
**80102**  
0.681 Kg/mtr  
W.T. -1.05mm



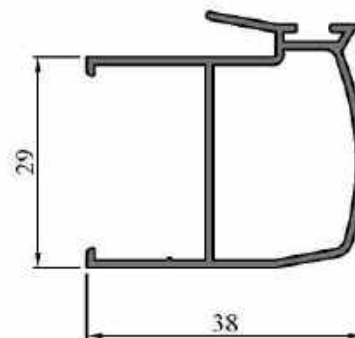
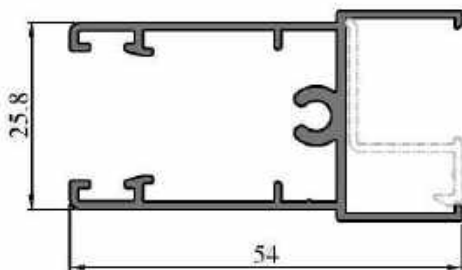
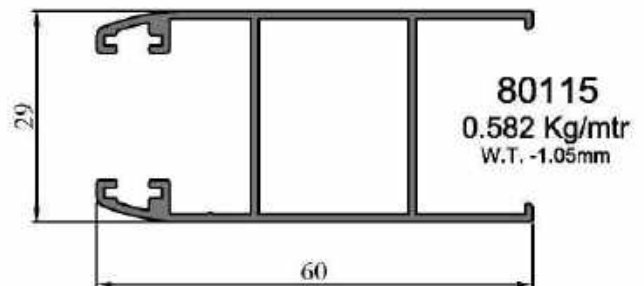
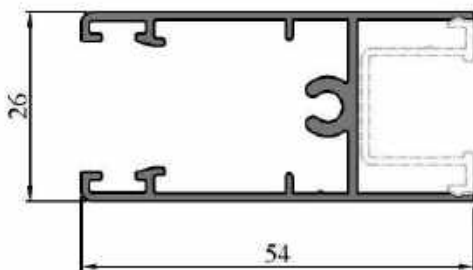
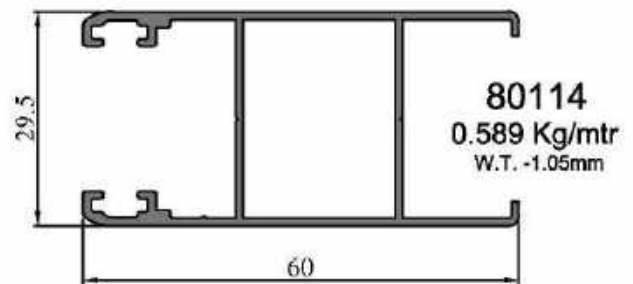
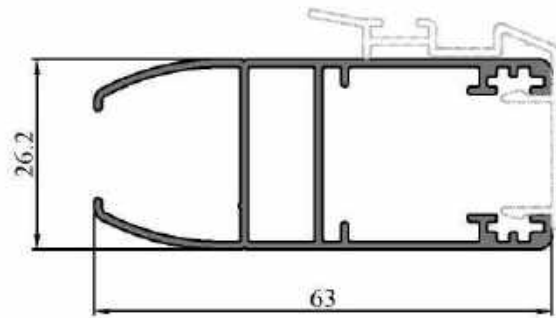
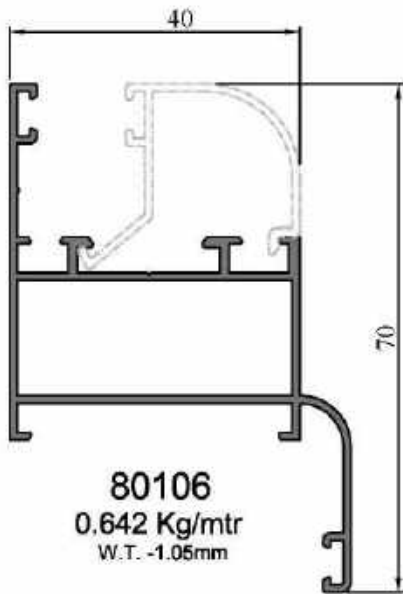
**80103**  
0.800 Kg/mtr  
W.T. -1.05mm

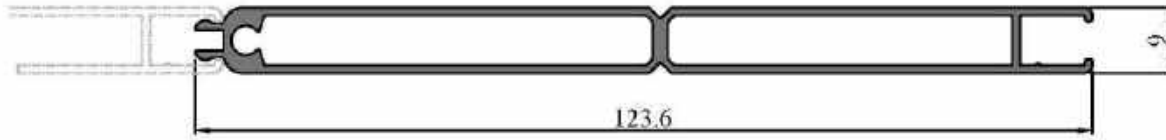


**80104**  
0.681 Kg/mtr  
W.T. -1.05mm

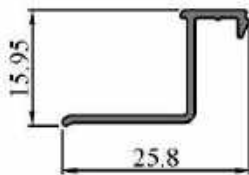


**80105**  
0.876 Kg/mtr  
W.T. -1.05mm

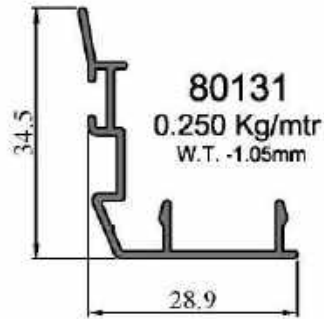




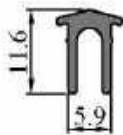
**80133**  
0.810 Kg/mtr  
W.T. -1.05mm



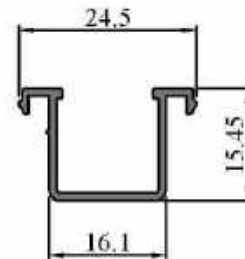
**80112**  
0.122 Kg/mtr  
W.T. -1.05mm



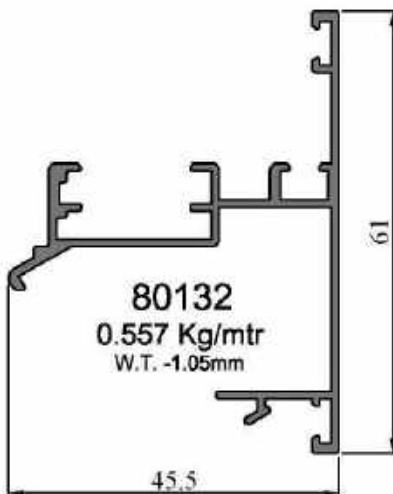
**80131**  
0.250 Kg/mtr  
W.T. -1.05mm



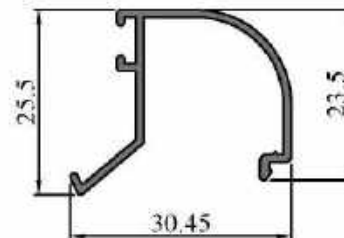
**80134**  
0.104 Kg/mtr  
W.T. -1.20mm



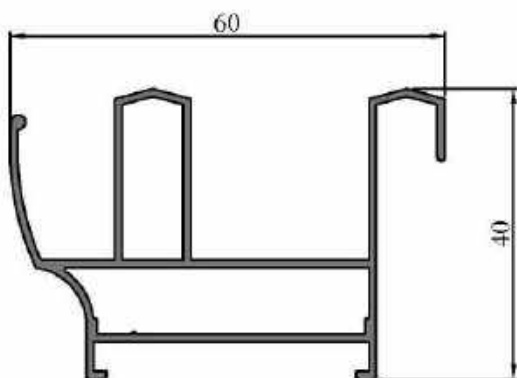
**80110**  
0.165 Kg/mtr  
W.T. -1.05mm



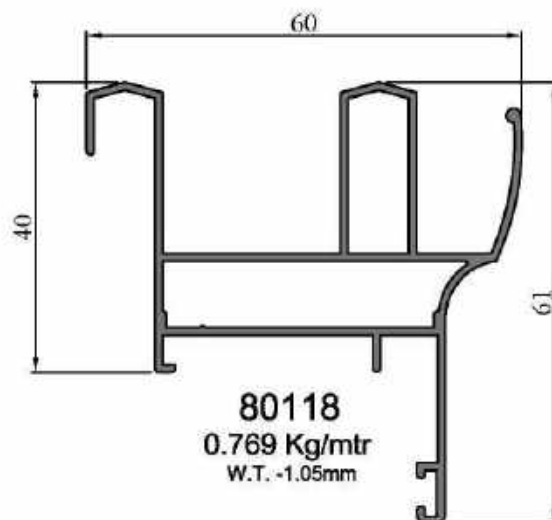
**80132**  
0.557 Kg/mtr  
W.T. -1.05mm



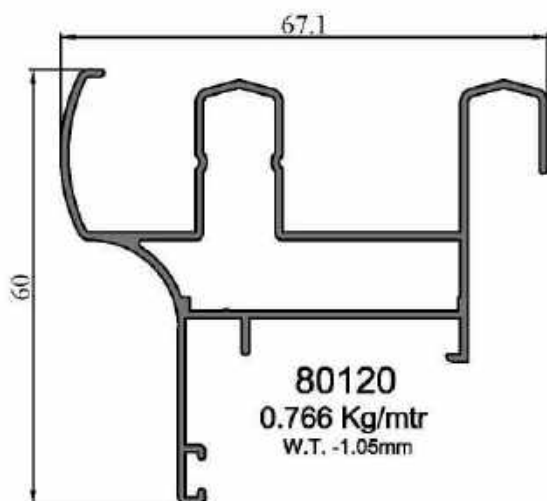
**80108**  
0.225 Kg/mtr  
W.T. -1.05mm



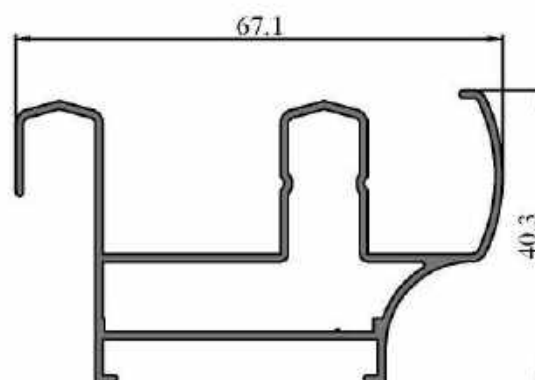
**80117**  
0.676 Kg/mtr  
W.T. -1.05mm



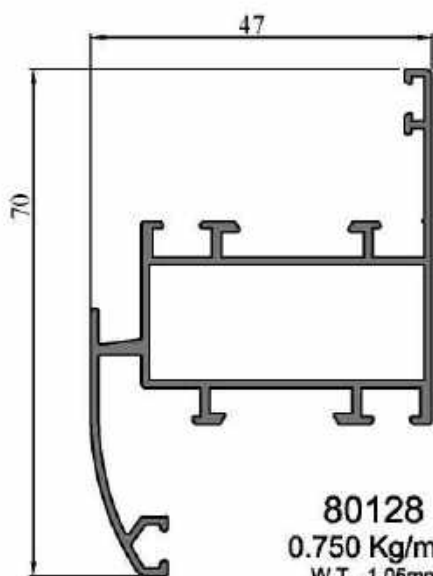
**80118**  
0.769 Kg/mtr  
W.T. -1.05mm



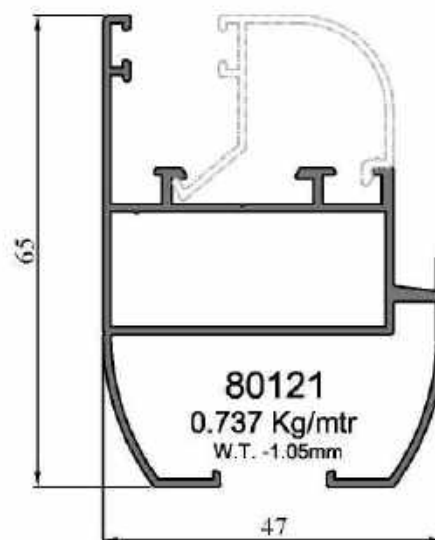
**80120**  
0.766 Kg/mtr  
W.T. -1.05mm



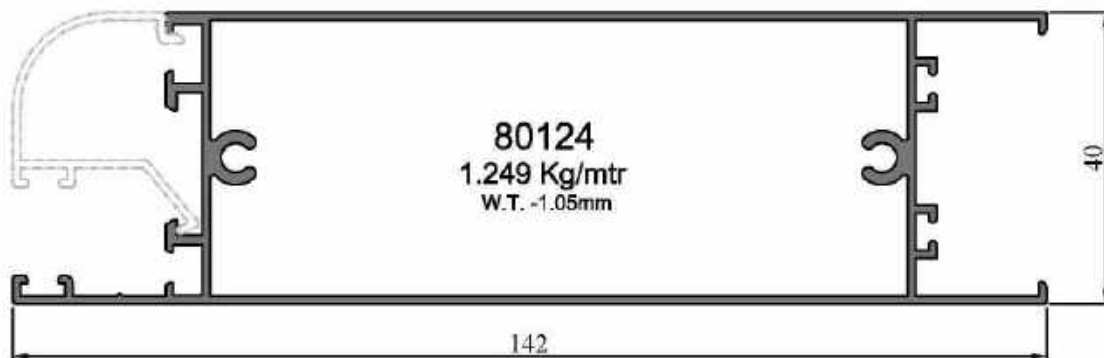
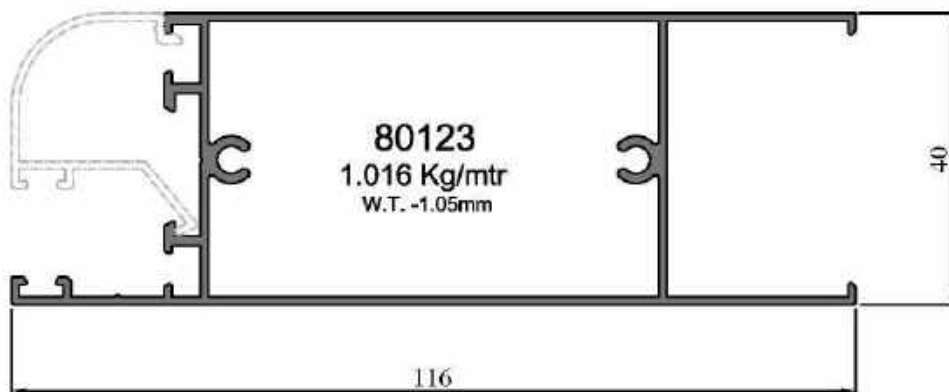
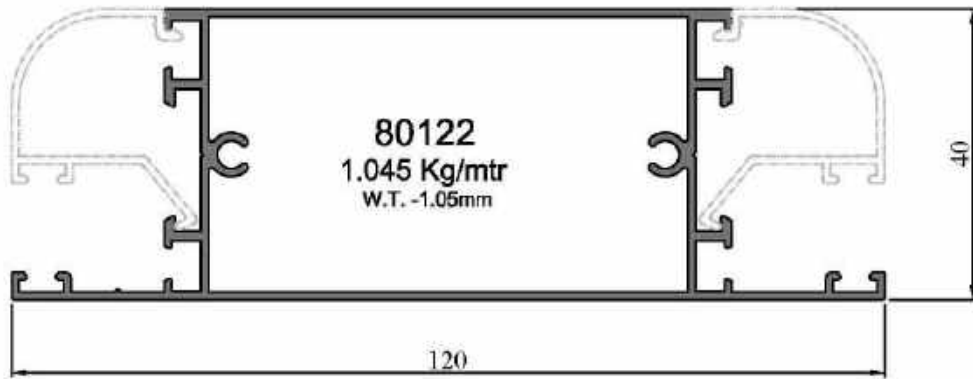
**80119**  
0.681 Kg/mtr  
W.T. -1.05mm



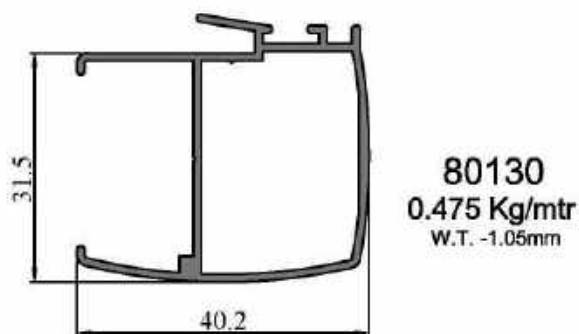
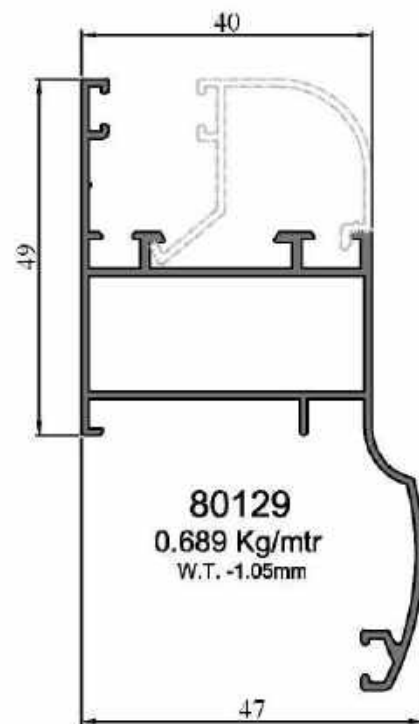
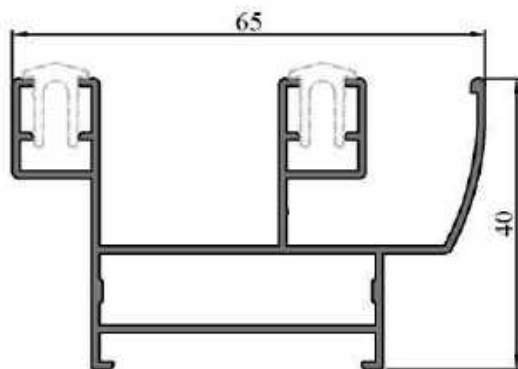
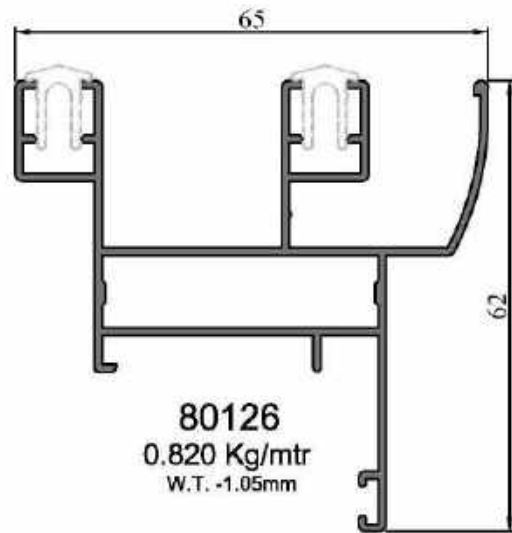
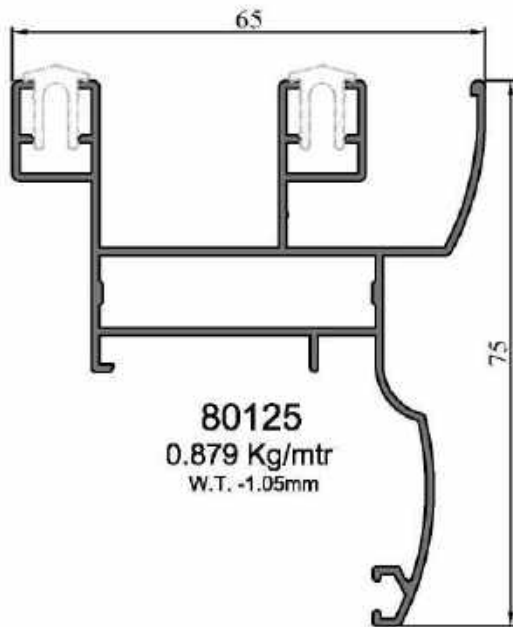
**80128**  
0.750 Kg/mtr  
W.T. -1.05mm

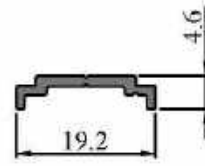
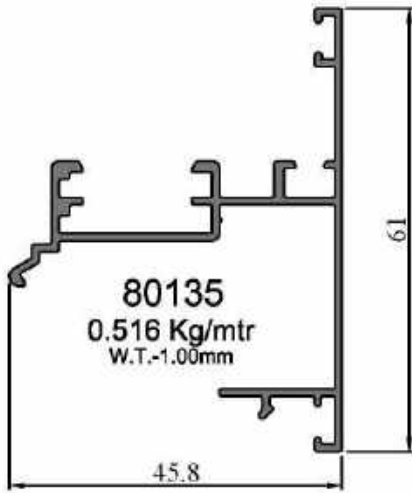


**80121**  
0.737 Kg/mtr  
W.T. -1.05mm

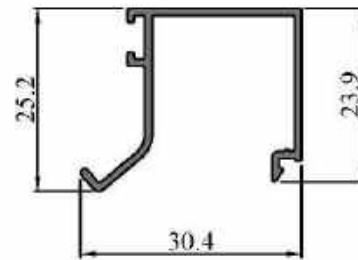


# TUNISIA PROFILES

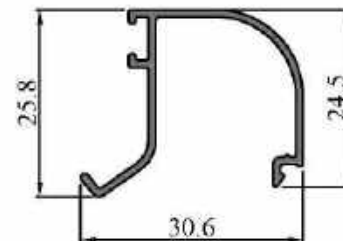
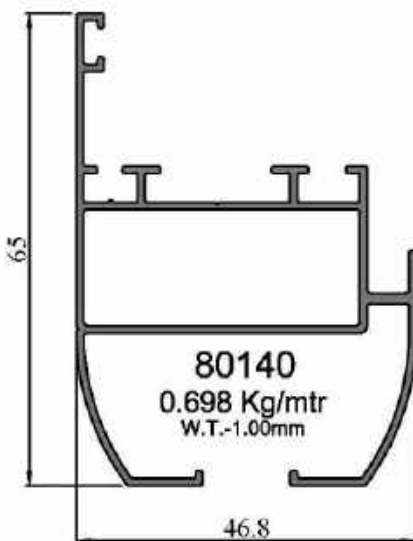
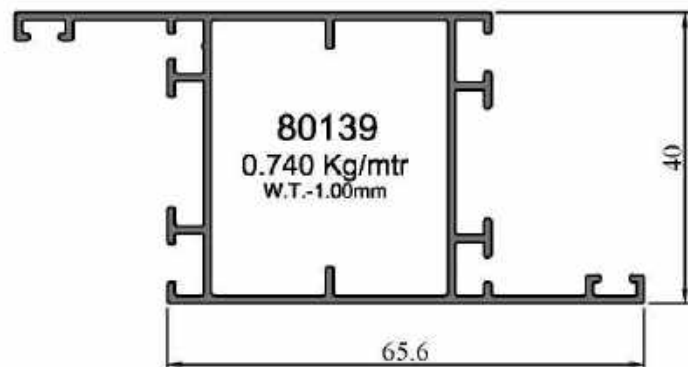
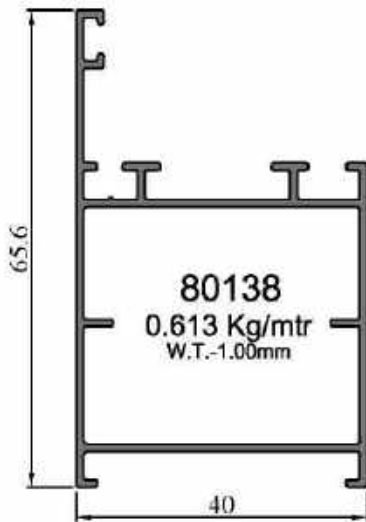




80136  
0.095 Kg/mtr  
W.T.-2.50mm

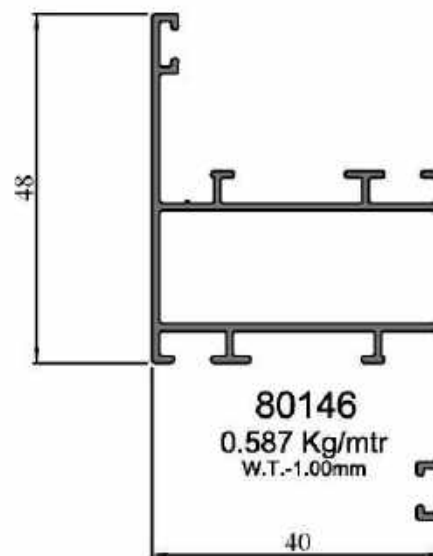
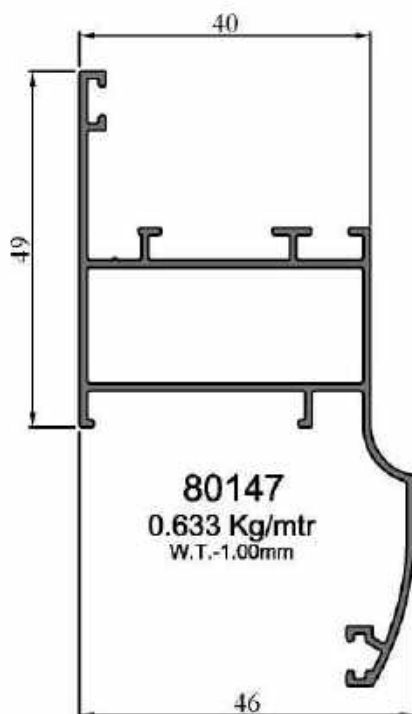
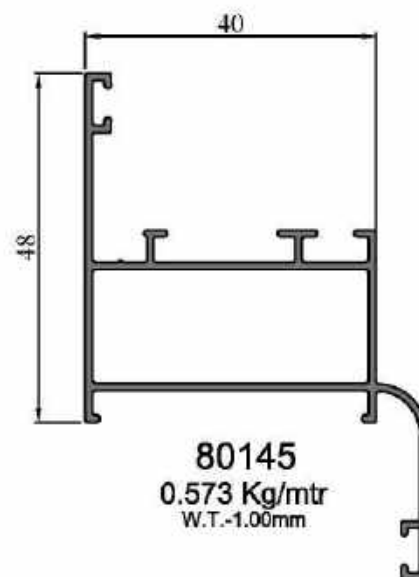
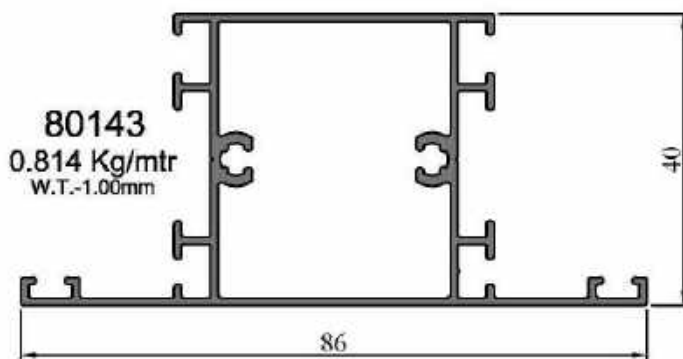
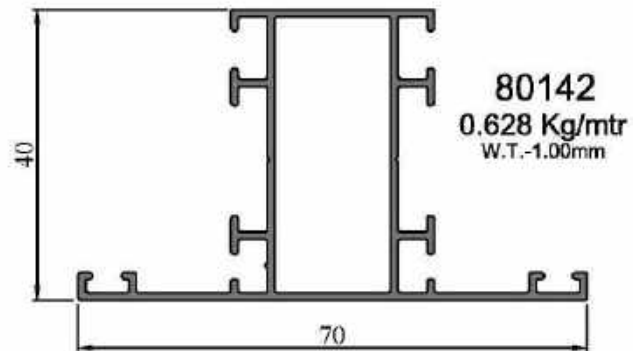
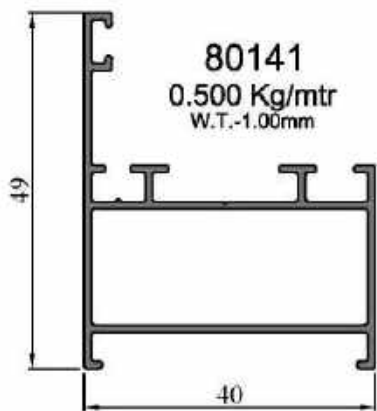


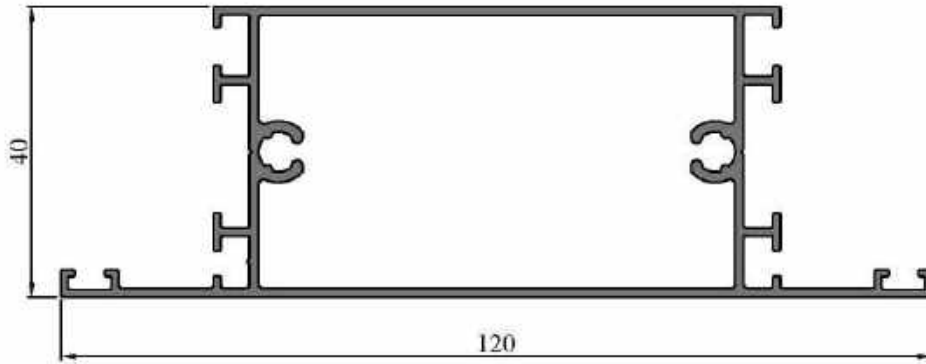
80137  
0.229 Kg/mtr  
W.T.-1.00mm



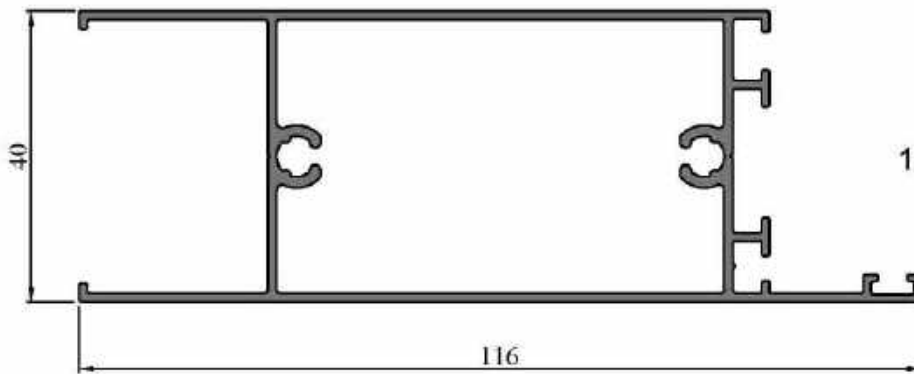
80144  
0.221 Kg/mtr  
W.T.-1.00mm



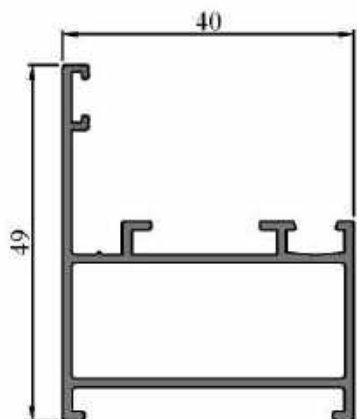




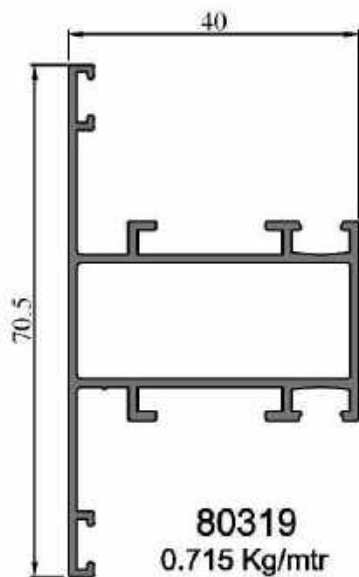
**80148**  
1.164 Kg/mtr  
W.T.-1.20mm



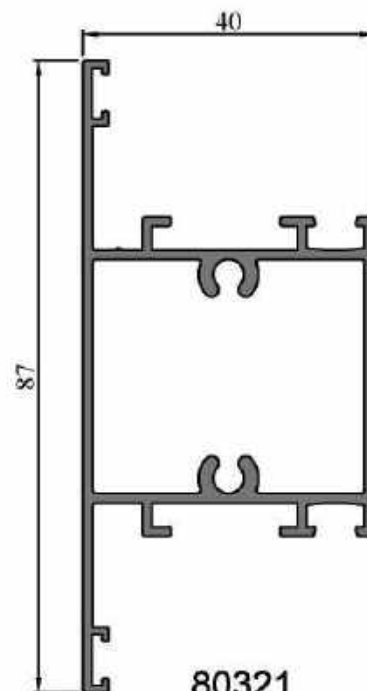
**80149**  
1.138 Kg/mtr  
W.T.-1.20mm



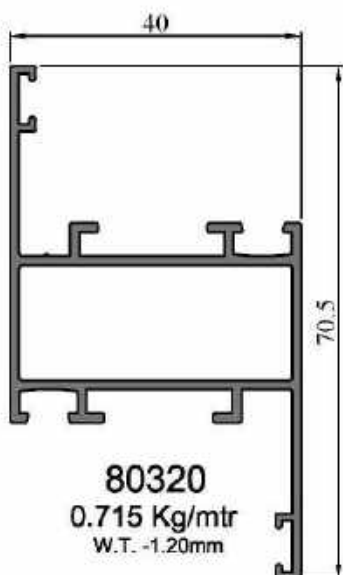
**80318**  
0.582 Kg/mtr  
W.T. -1.20mm



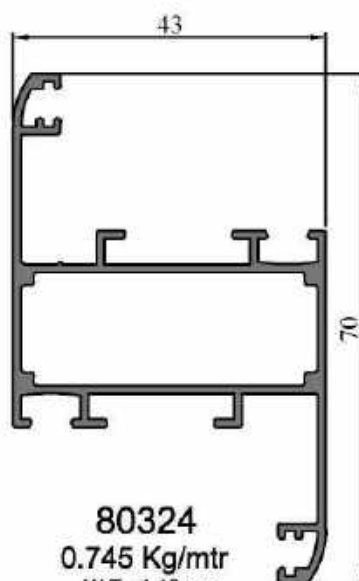
**80319**  
0.715 Kg/mtr  
W.T. -1.20mm



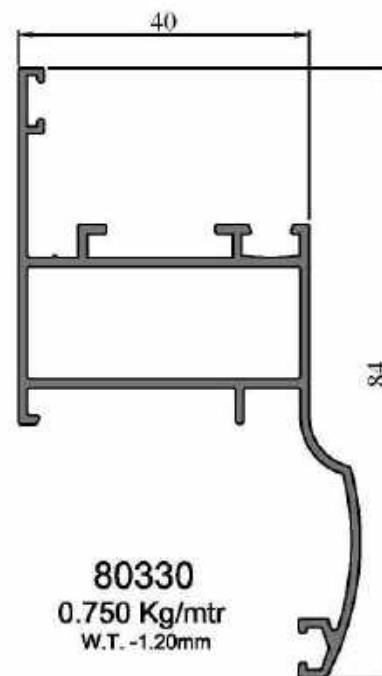
**80321**  
0.986 Kg/mtr  
W.T. -1.30mm



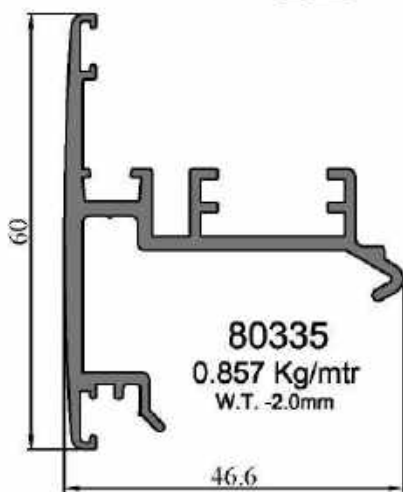
**80320**  
0.715 Kg/mtr  
W.T. -1.20mm



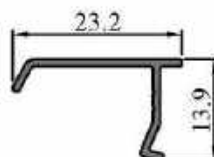
**80324**  
0.745 Kg/mtr  
W.T. -1.10mm



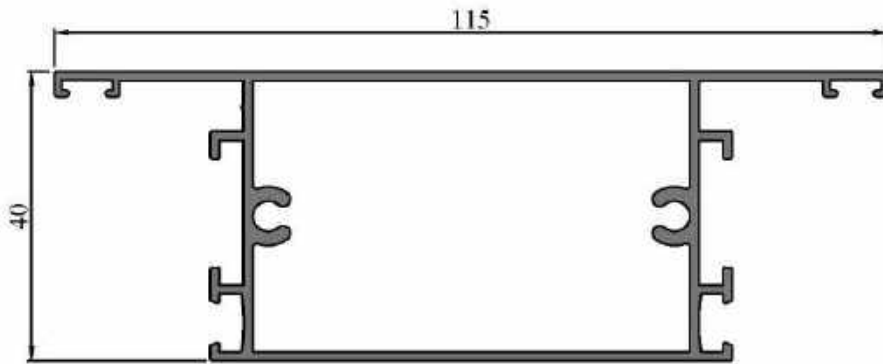
**80330**  
0.750 Kg/mtr  
W.T. -1.20mm



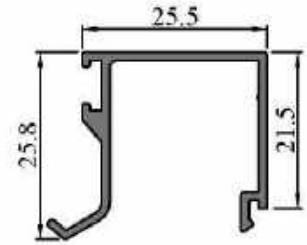
**80335**  
0.857 Kg/mtr  
W.T. -2.0mm



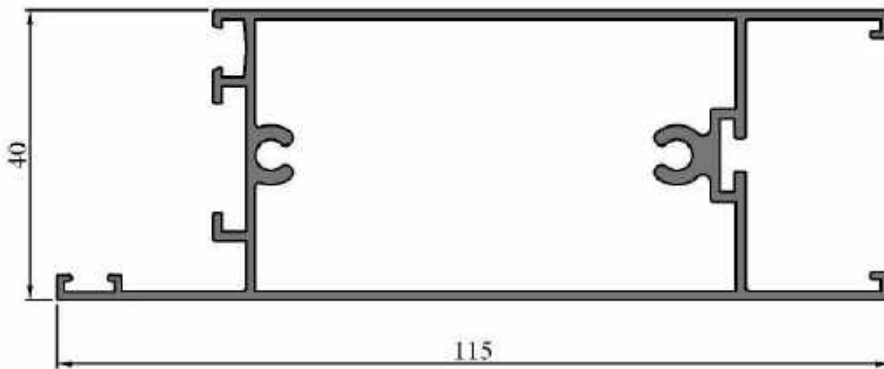
**80334**  
0.107 Kg/mtr  
W.T. -1.0mm



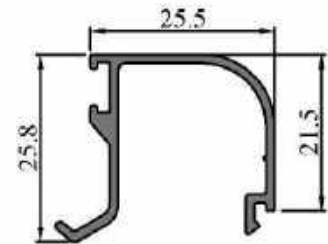
**80322**  
1.182 Kg/mtr  
W.T. -1.30mm



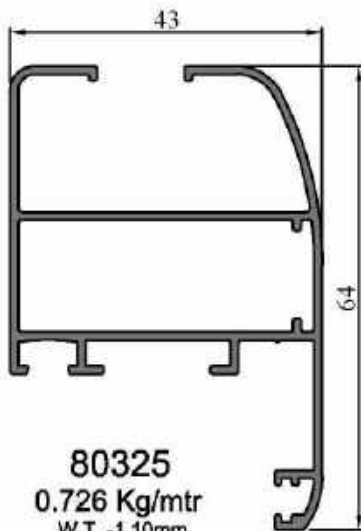
**80331**  
0.273 Kg/mtr  
W.T. -1.10mm



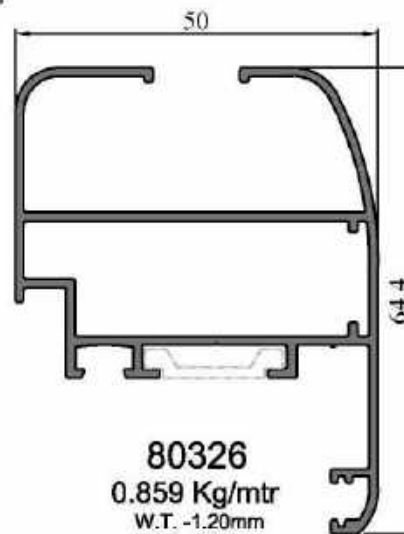
**80323**  
1.301 Kg/mtr  
W.T. -1.30mm



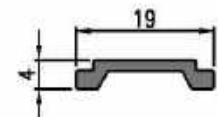
**80332**  
0.284 Kg/mtr  
W.T. -1.20mm



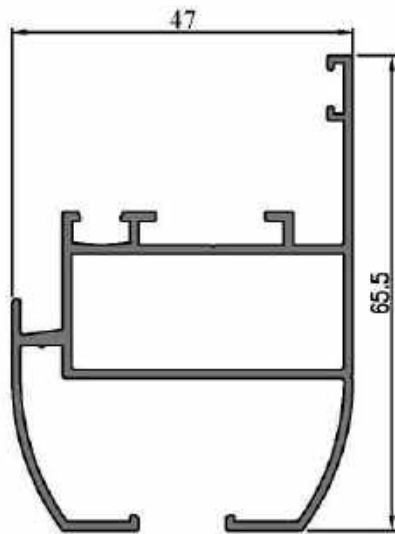
**80325**  
0.726 Kg/mtr  
W.T. -1.10mm



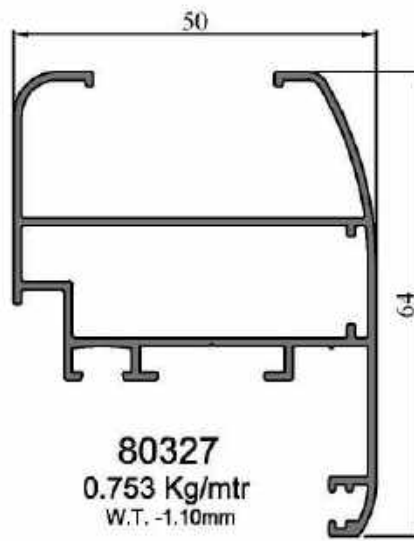
**80326**  
0.859 Kg/mtr  
W.T. -1.20mm



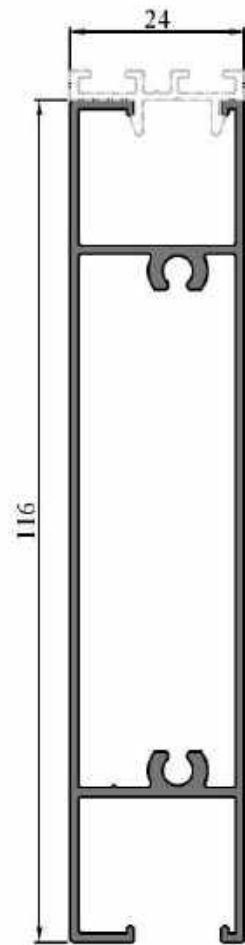
**80333**  
0.109 Kg/mtr  
W.T. -1.53mm



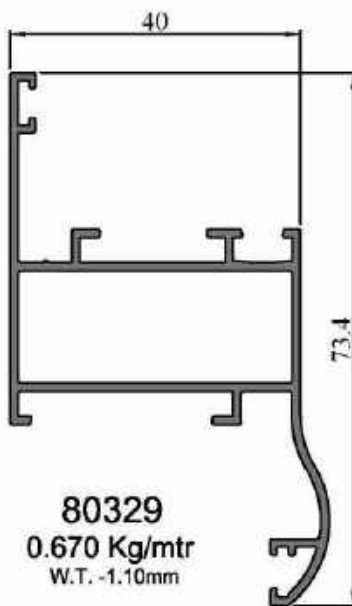
**80328**  
0.815 Kg/mtr  
W.T. -1.20mm



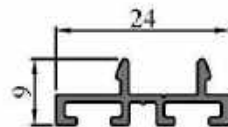
**80327**  
0.753 Kg/mtr  
W.T. -1.10mm



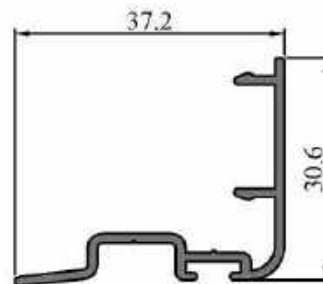
**80336**  
1.085 Kg/mtr  
W.T. -1.20mm



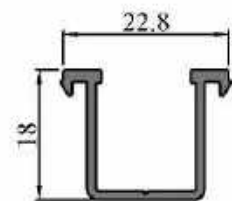
**80329**  
0.670 Kg/mtr  
W.T. -1.10mm



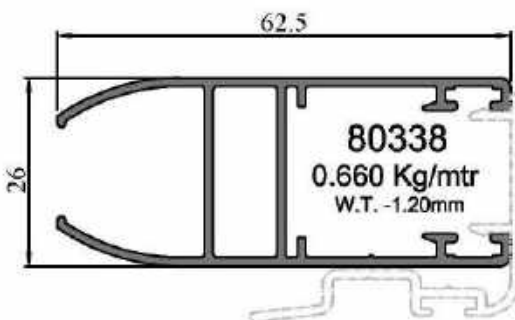
**80337**  
0.152 Kg/mtr  
W.T. -1.0mm



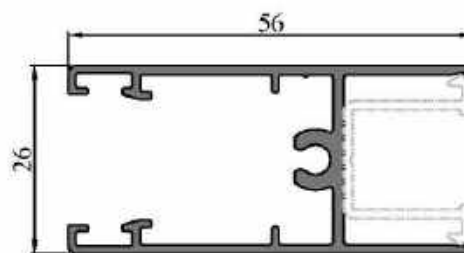
**80339**  
0.311 Kg/mtr  
W.T. -1.30mm



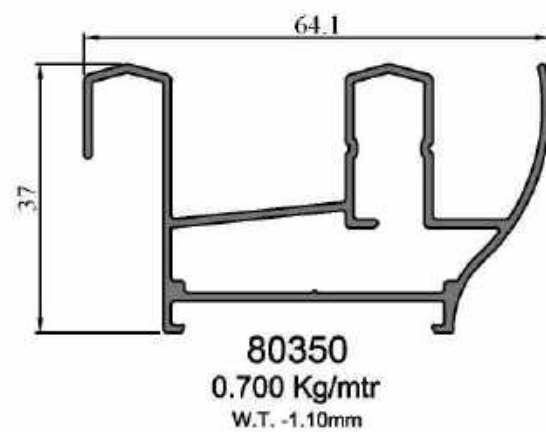
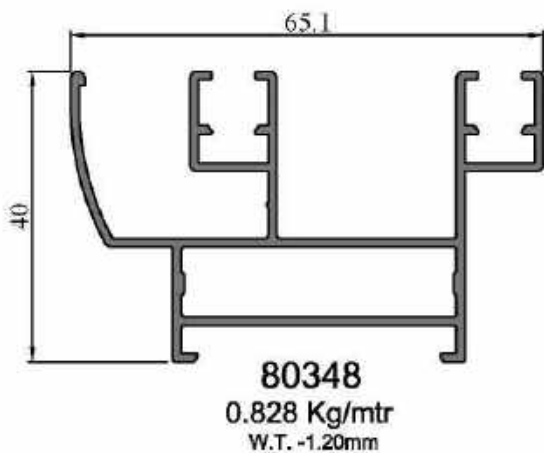
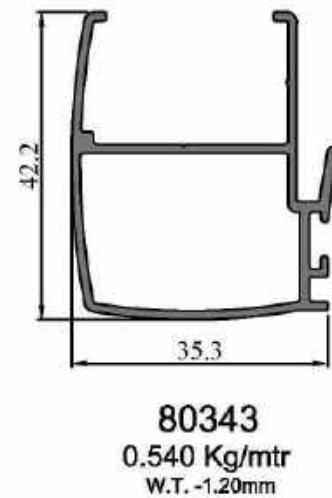
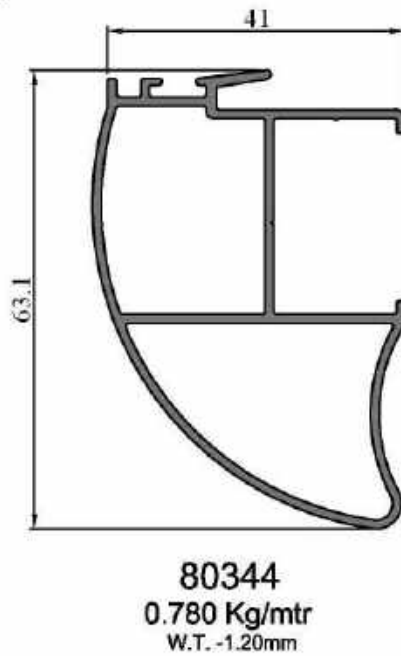
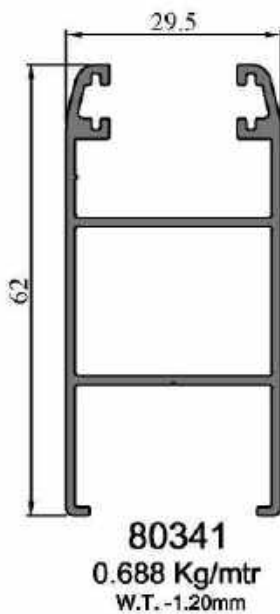
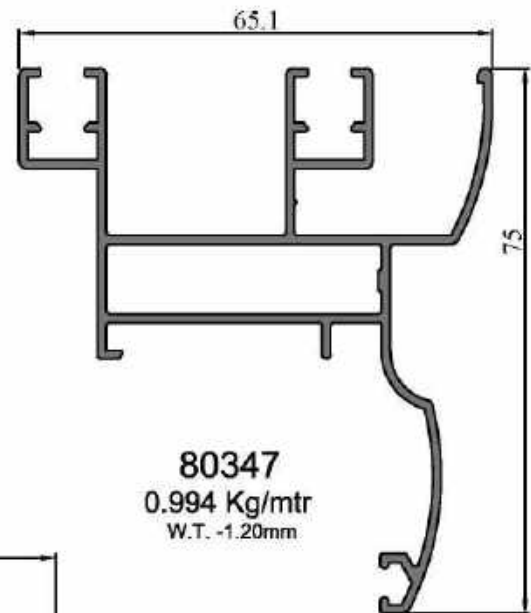
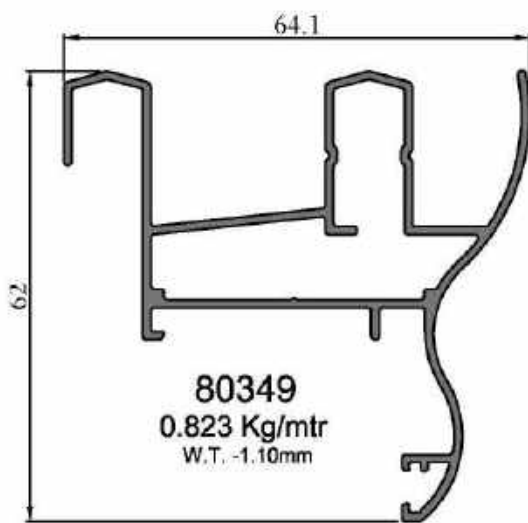
**80342**  
0.208 Kg/mtr  
W.T. -1.20mm

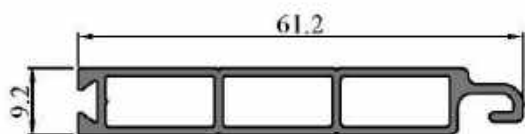


**80338**  
0.660 Kg/mtr  
W.T. -1.20mm

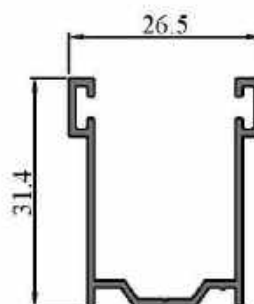


**80340**  
0.615 Kg/mtr  
W.T. -1.30mm

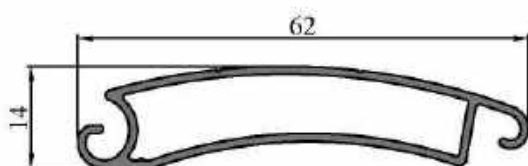




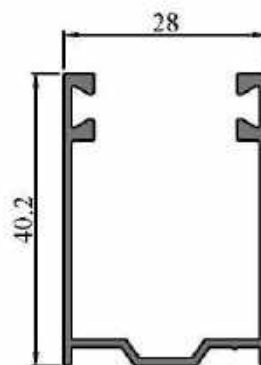
**80351**  
0.475 Kg/mtr  
W.T. -1.10mm



**80345**  
0.273 Kg/mtr  
W.T. -1.0mm



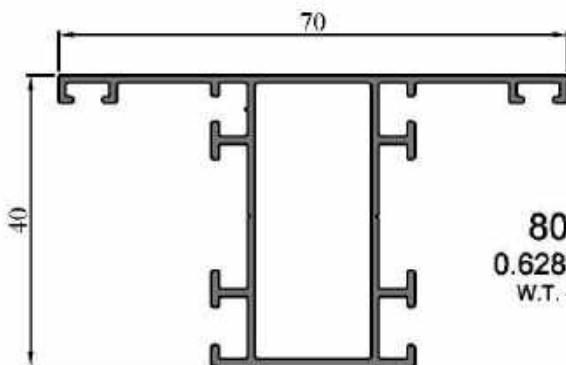
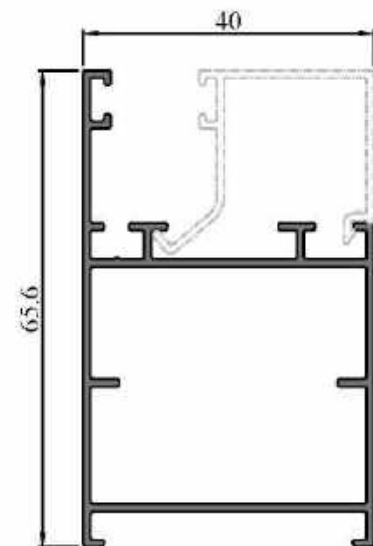
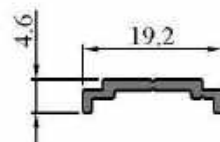
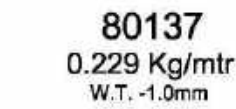
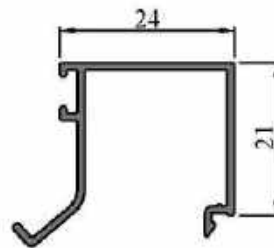
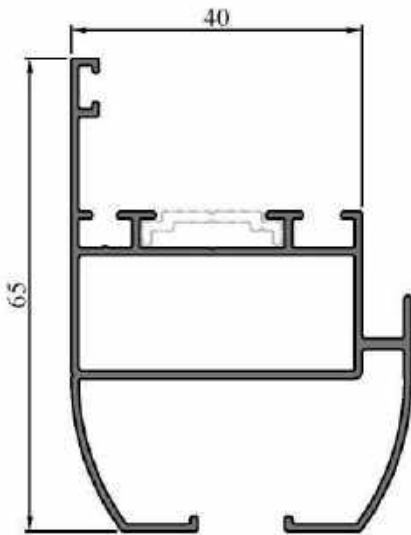
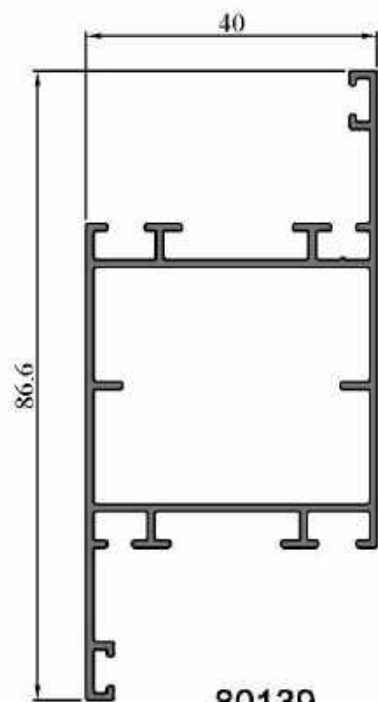
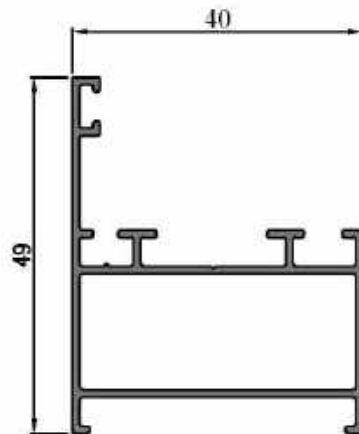
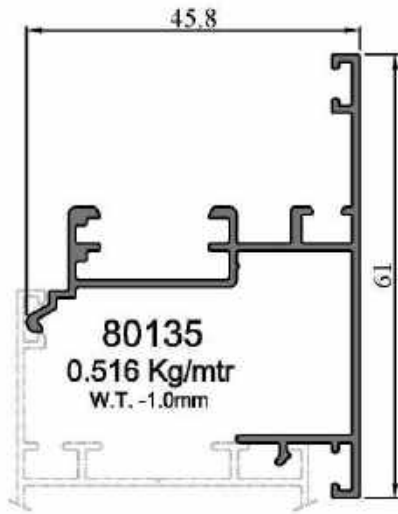
**80353**  
0.424 Kg/mtr  
W.T. -1.10mm



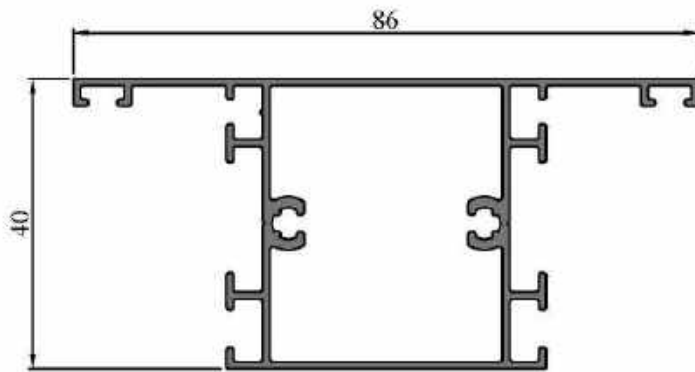
**80346**  
0.402 Kg/mtr  
W.T. -1.10mm



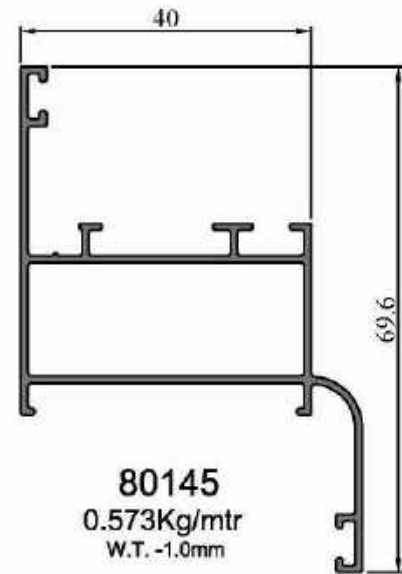
**80352**  
0.197 Kg/mtr  
W.T. -1.70mm



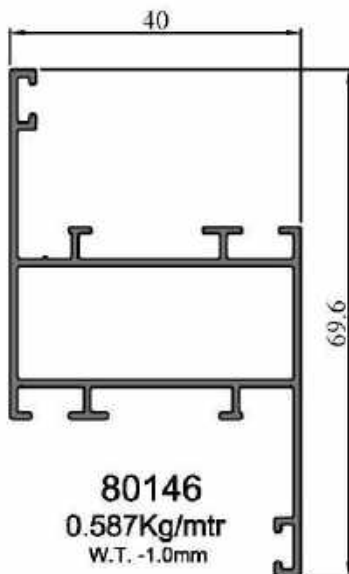




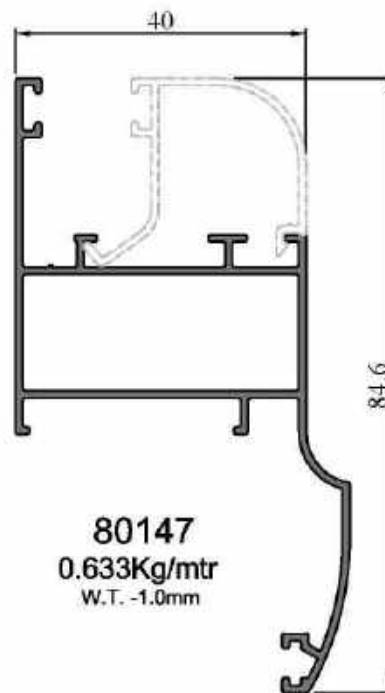
**80143**  
0.814Kg/mtr  
W.T. -1.0mm



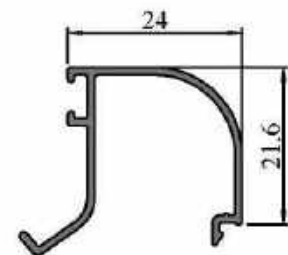
**80145**  
0.573Kg/mtr  
W.T. -1.0mm



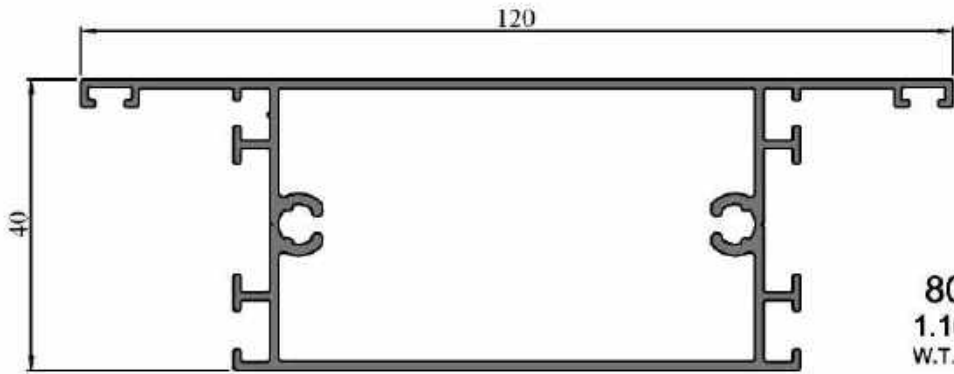
**80146**  
0.587Kg/mtr  
W.T. -1.0mm



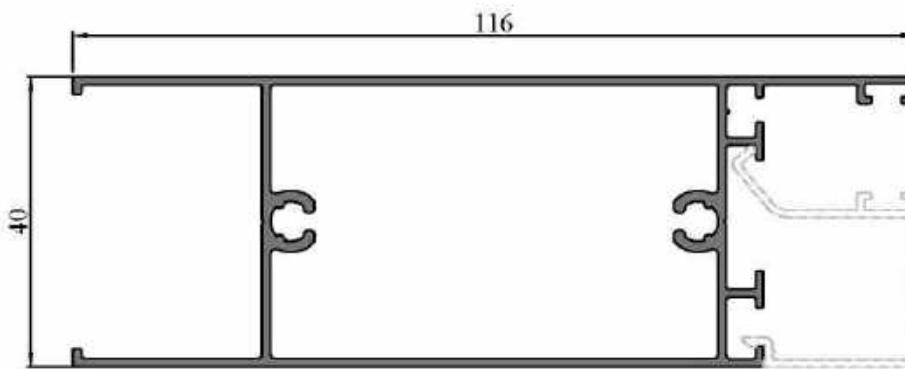
**80147**  
0.633Kg/mtr  
W.T. -1.0mm



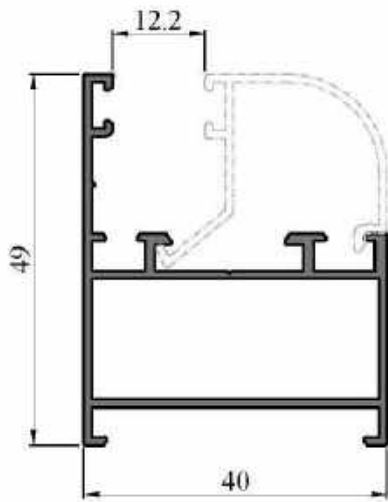
**80144**  
0.221Kg/mtr  
W.T. -1.0mm



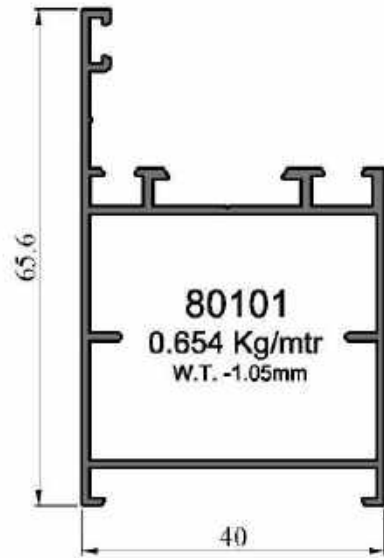
**80148**  
1.164Kg/mtr  
W.T. -1.20mm



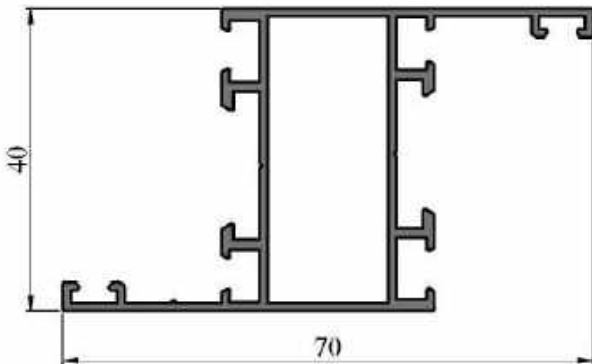
**80149**  
1.138Kg/mtr  
W.T. -1.20mm



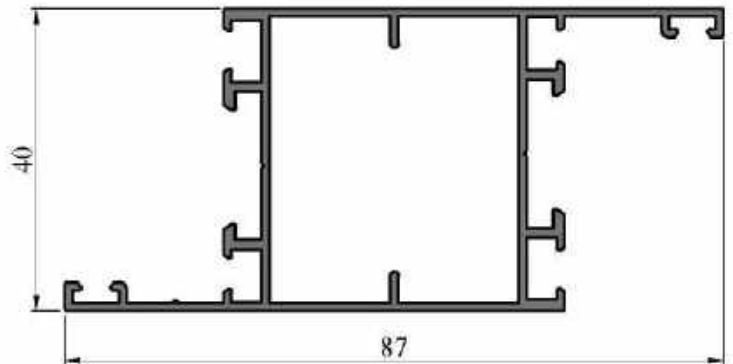
**80100**  
0.537 Kg/mtr  
W.T. -1.05mm



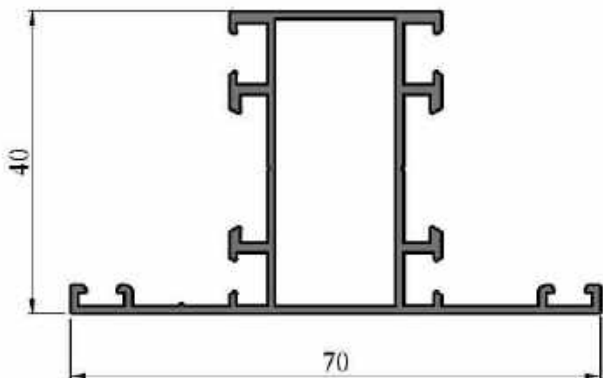
**80101**  
0.654 Kg/mtr  
W.T. -1.05mm



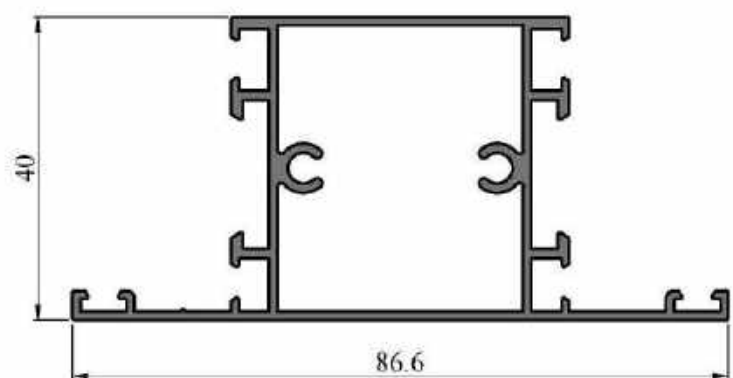
**80102**  
0.681 Kg/mtr  
W.T. -1.05mm



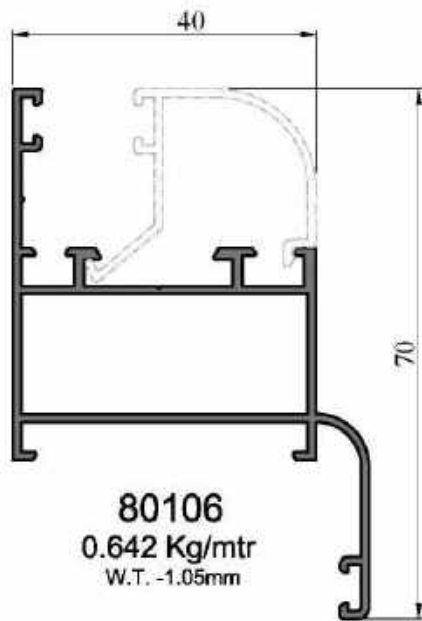
**80103**  
0.800 Kg/mtr  
W.T. -1.05mm



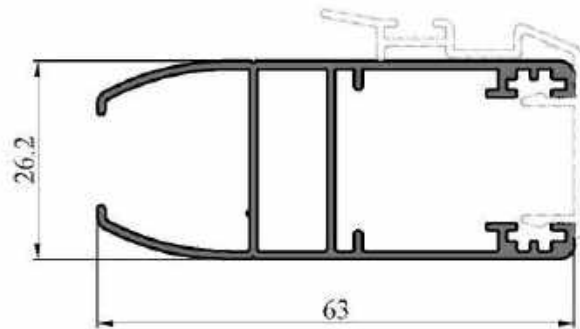
**80104**  
0.681 Kg/mtr  
W.T. -1.05mm



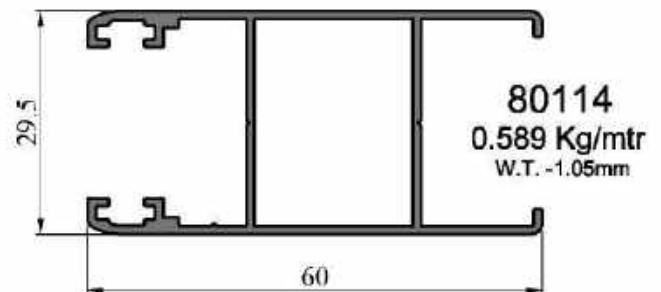
**80105**  
0.876 Kg/mtr  
W.T. -1.05mm



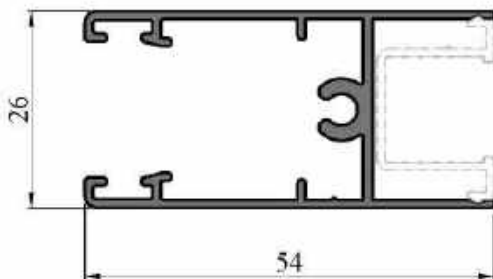
**80106**  
0.642 Kg/mtr  
W.T. -1.05mm



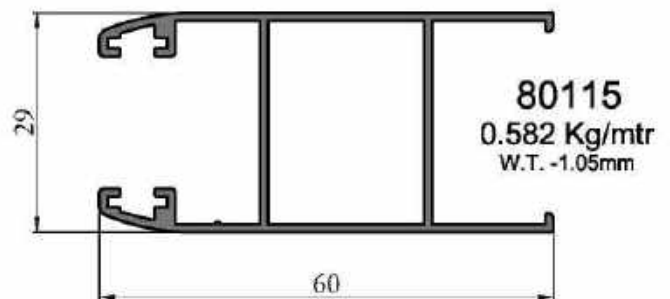
**80113**  
0.617 Kg/mtr  
W.T. -1.05mm



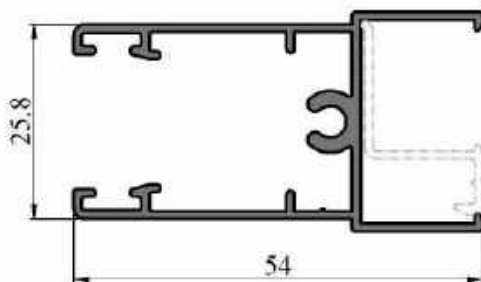
**80114**  
0.589 Kg/mtr  
W.T. -1.05mm



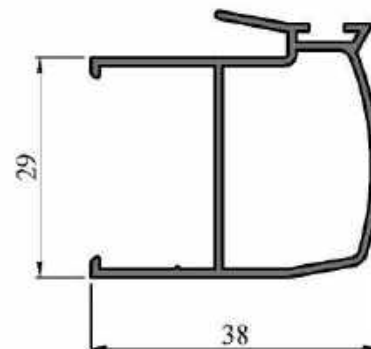
**80109**  
0.541 Kg/mtr  
W.T. -1.05mm



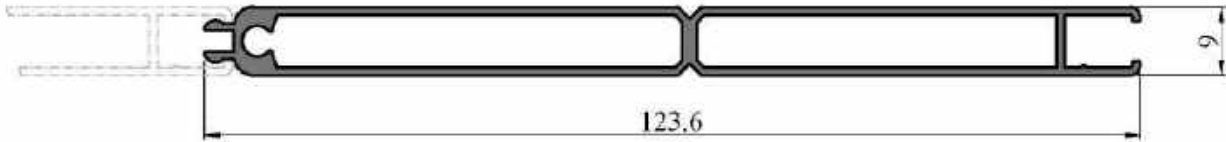
**80115**  
0.582 Kg/mtr  
W.T. -1.05mm



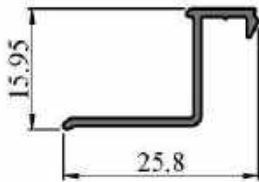
**80111**  
0.560 Kg/mtr  
W.T. -1.05mm



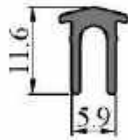
**80116**  
0.425 Kg/mtr  
W.T. -1.05mm



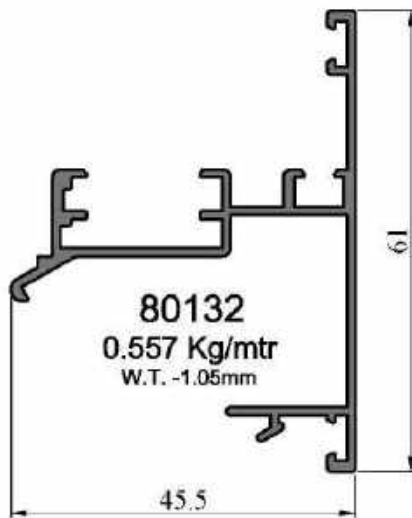
**80133**  
0.810 Kg/mtr  
W.T. -1.05mm



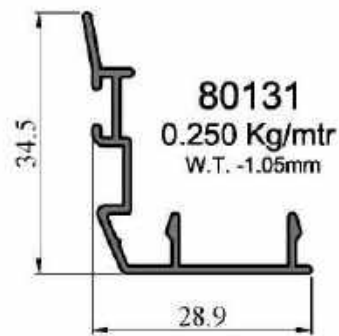
**80112**  
0.122 Kg/mtr  
W.T. -1.05mm



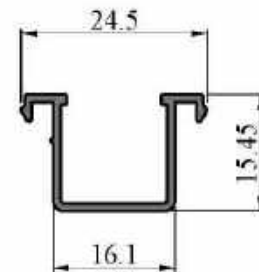
**80134**  
0.104 Kg/mtr  
W.T. -1.20mm



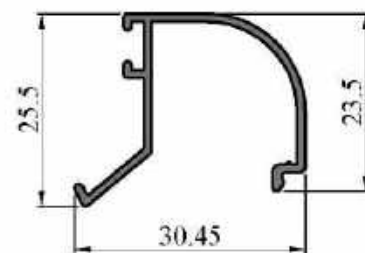
**80132**  
0.557 Kg/mtr  
W.T. -1.05mm



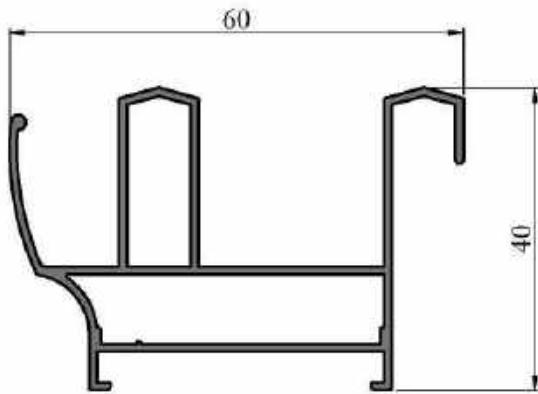
**80131**  
0.250 Kg/mtr  
W.T. -1.05mm



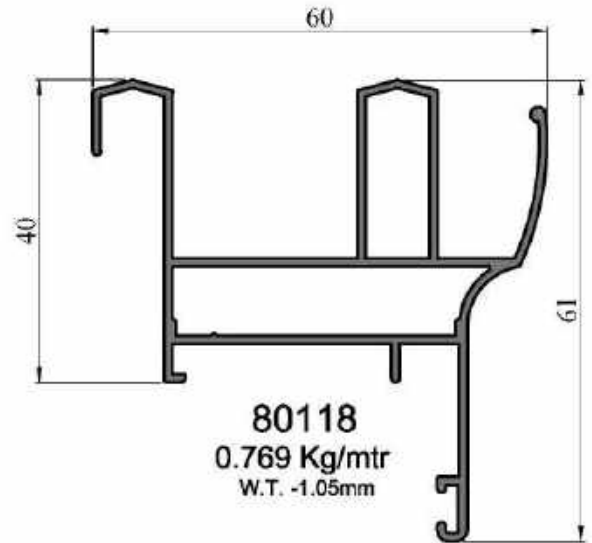
**80110**  
0.165 Kg/mtr  
W.T. -1.05mm



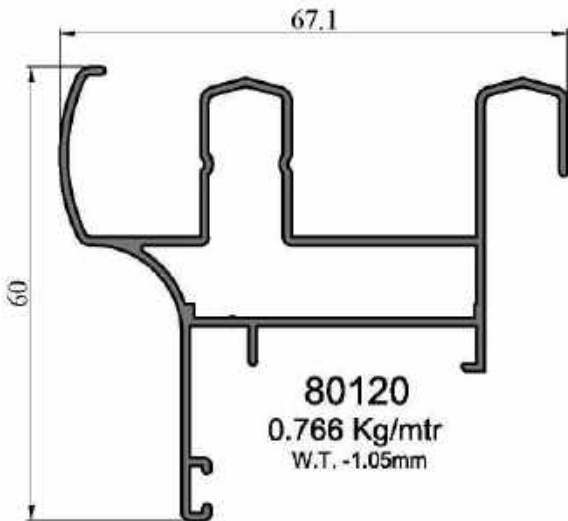
**80108**  
0.225 Kg/mtr  
W.T. -1.05mm



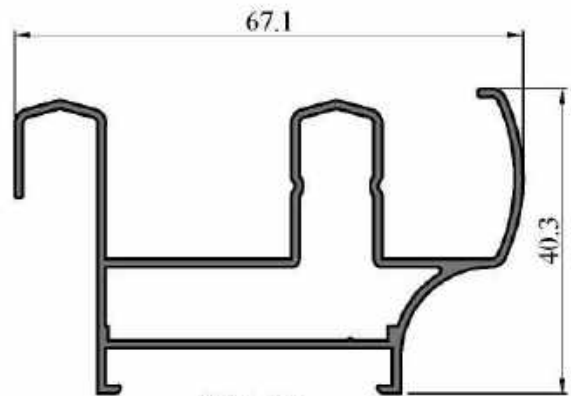
**80117**  
0.676 Kg/mtr  
W.T. -1.05mm



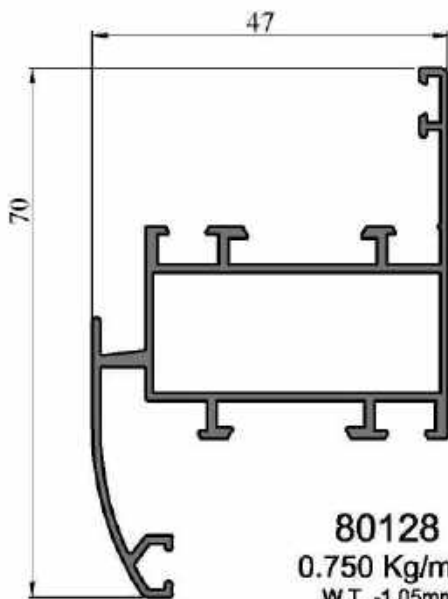
**80118**  
0.769 Kg/mtr  
W.T. -1.05mm



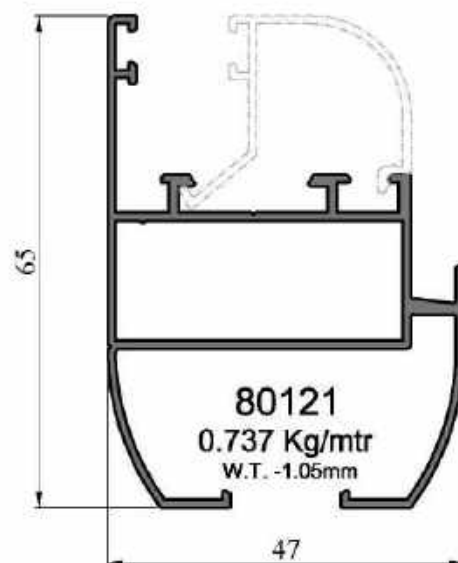
**80120**  
0.766 Kg/mtr  
W.T. -1.05mm



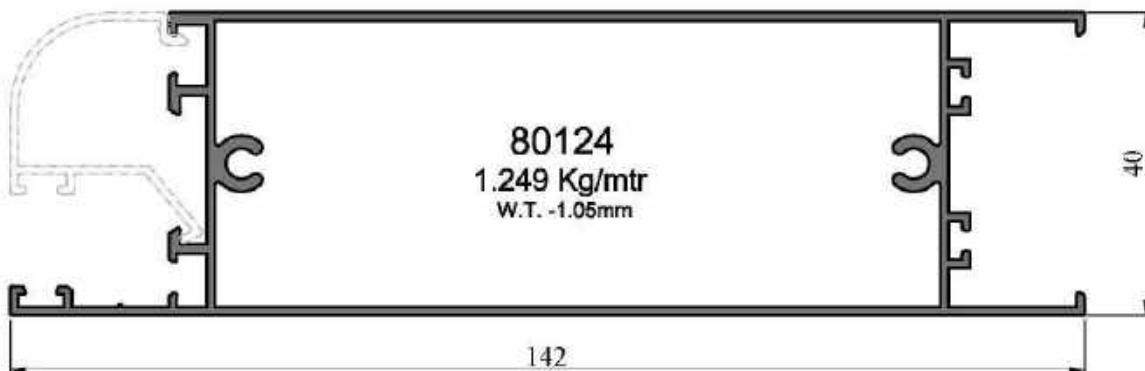
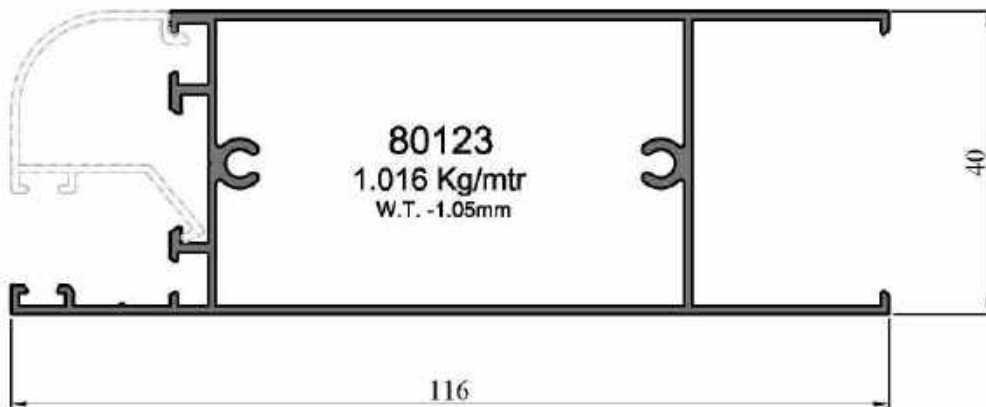
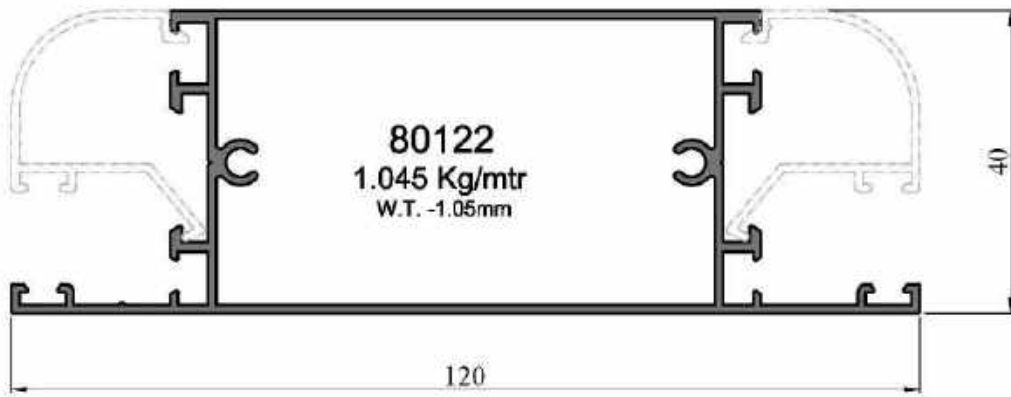
**80119**  
0.681 Kg/mtr  
W.T. -1.05mm

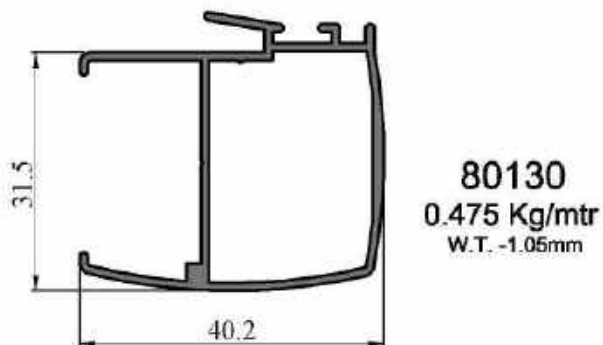
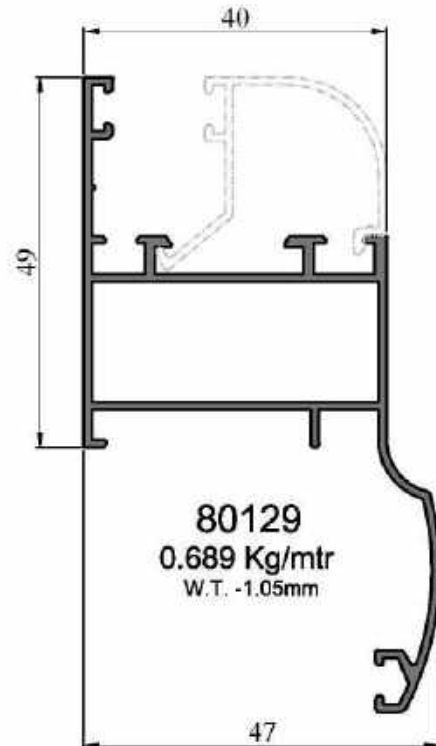
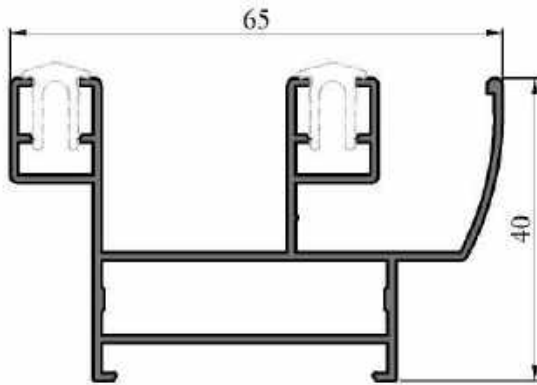
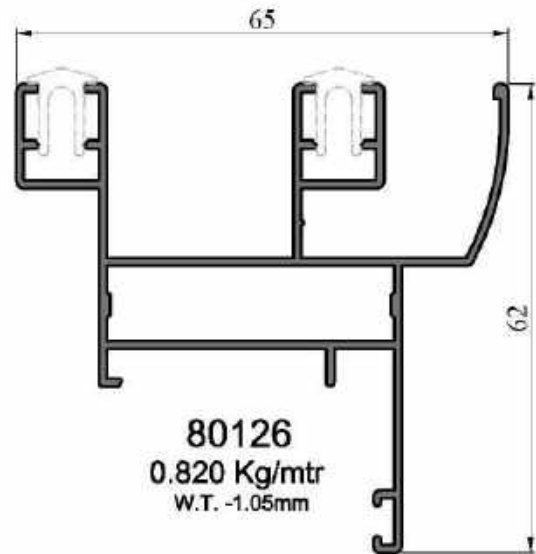
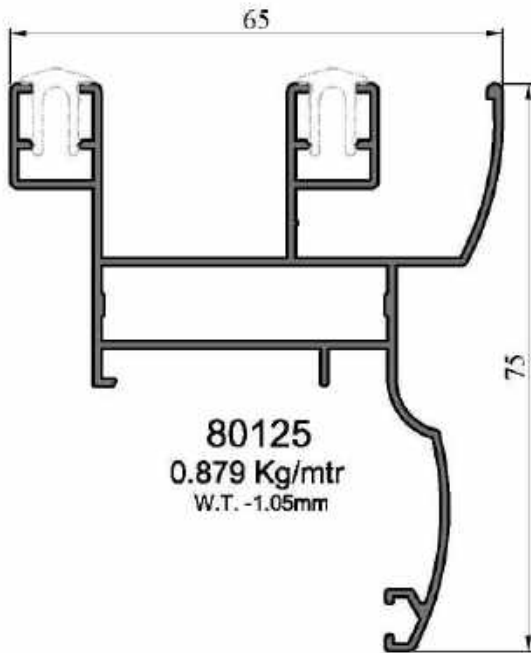


**80128**  
0.750 Kg/mtr  
W.T. -1.05mm

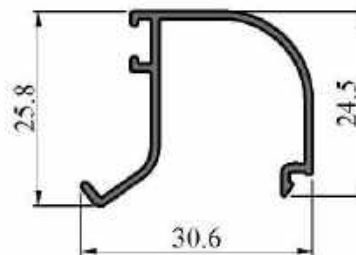
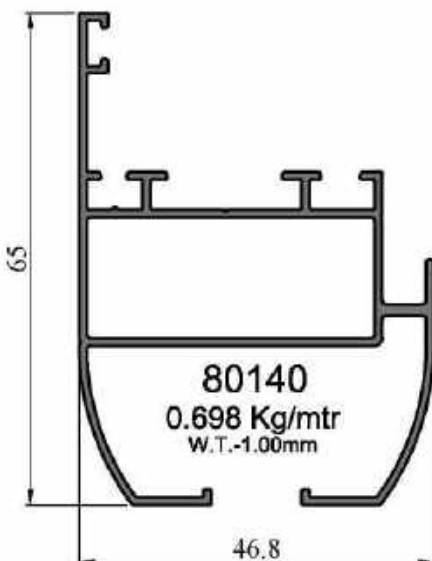
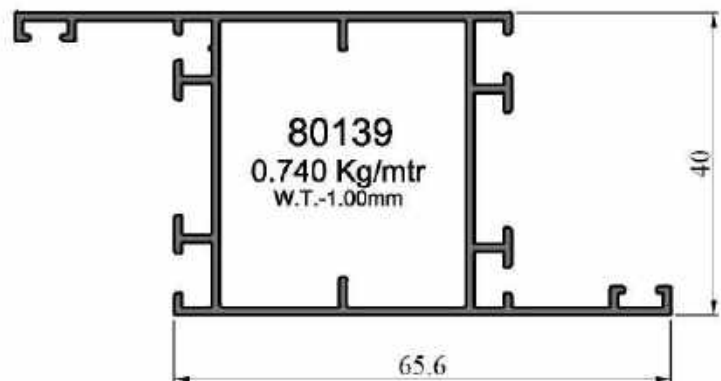
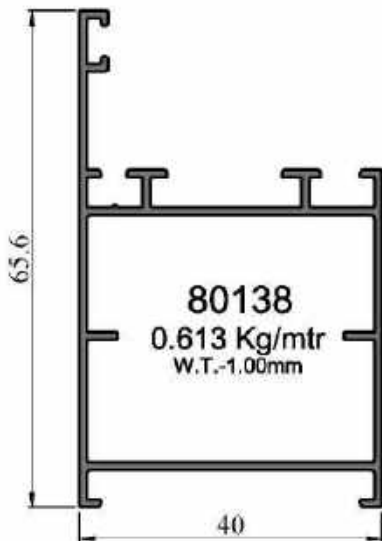
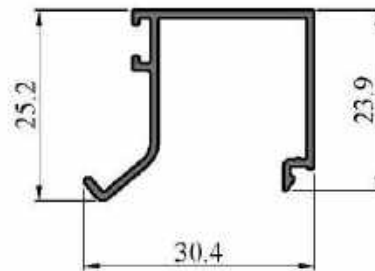
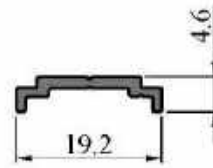
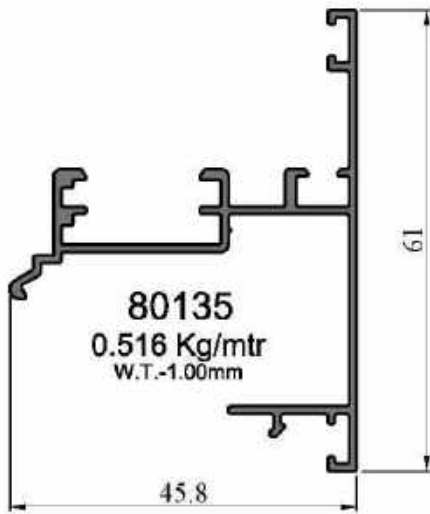


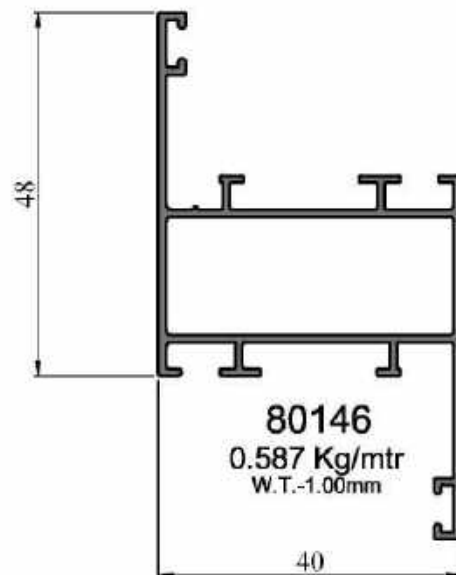
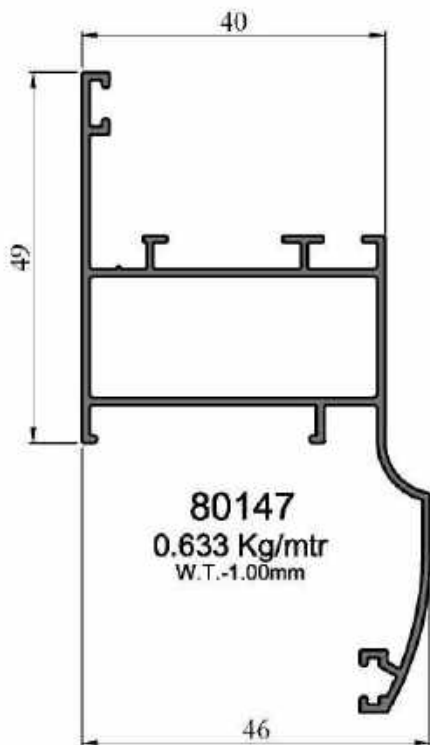
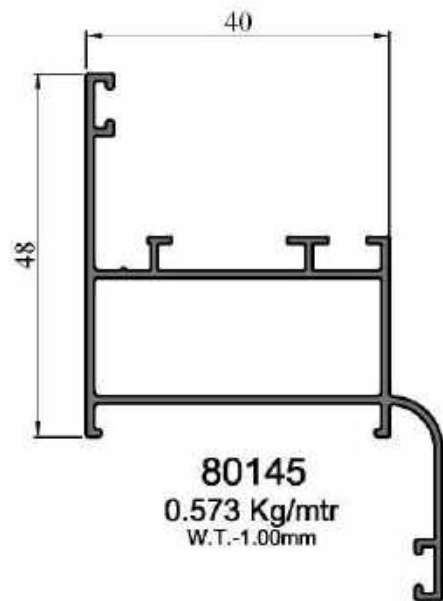
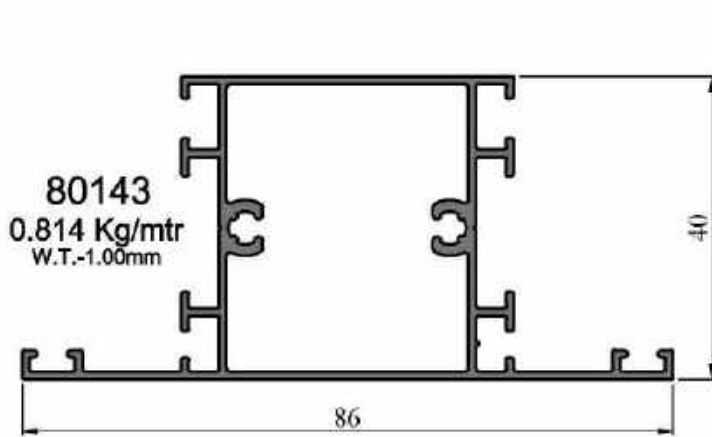
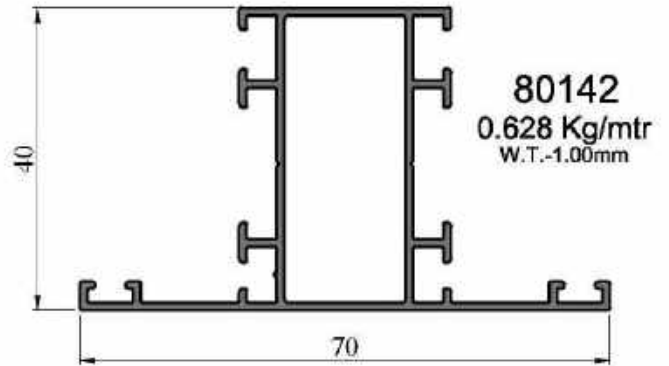
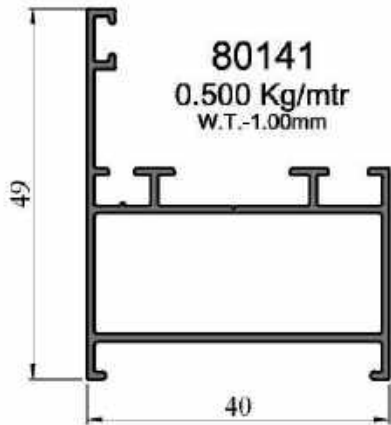
**80121**  
0.737 Kg/mtr  
W.T. -1.05mm

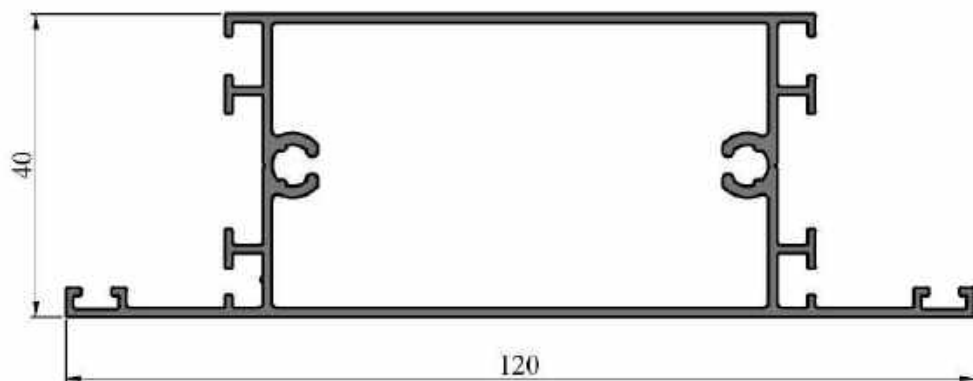




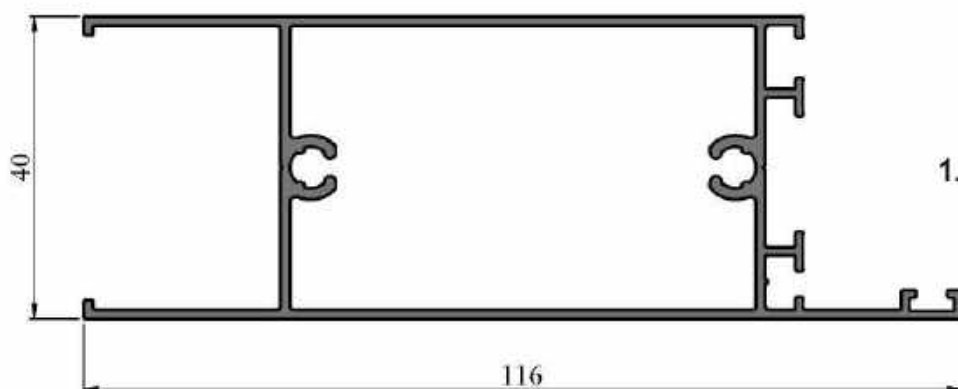




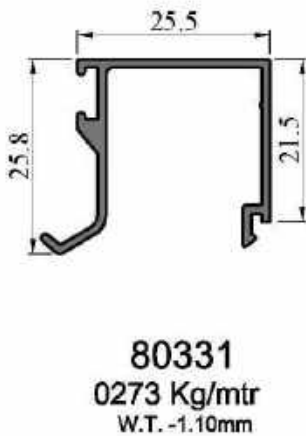
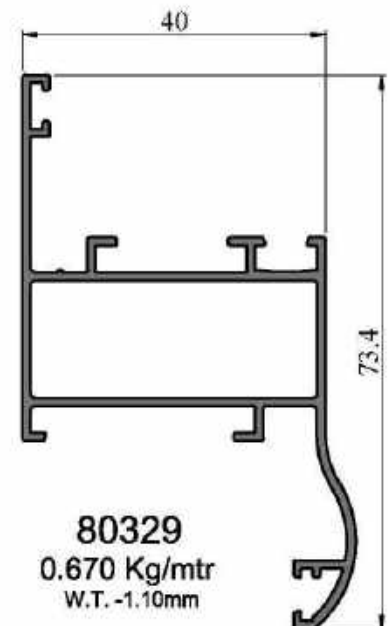
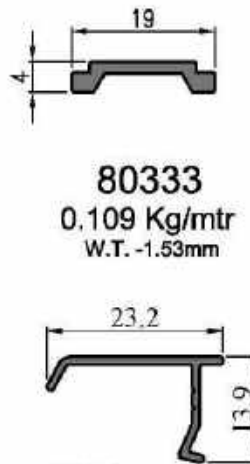
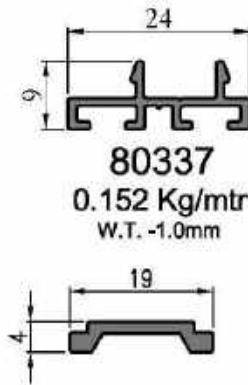
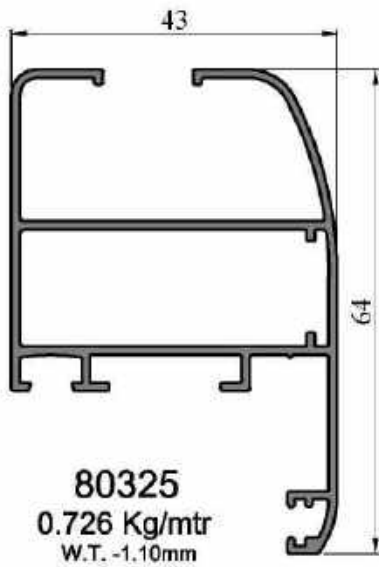
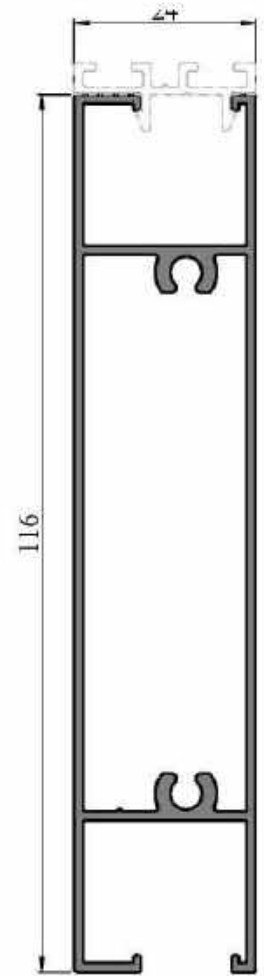
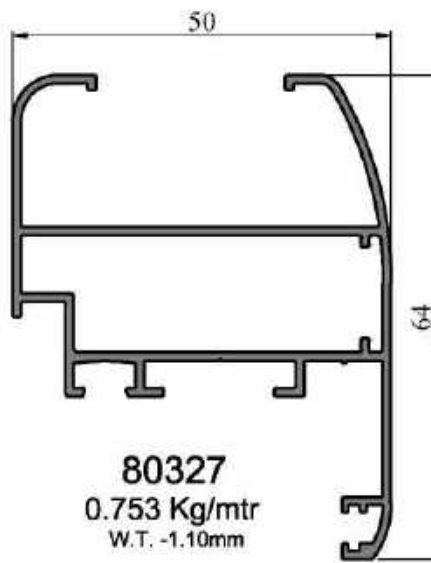
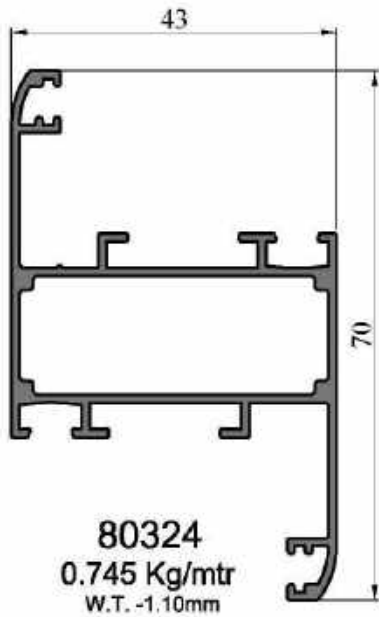


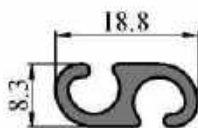
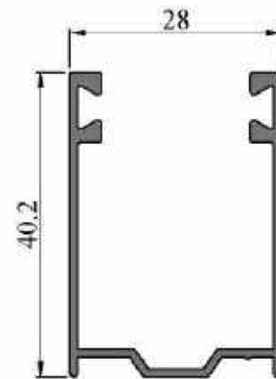
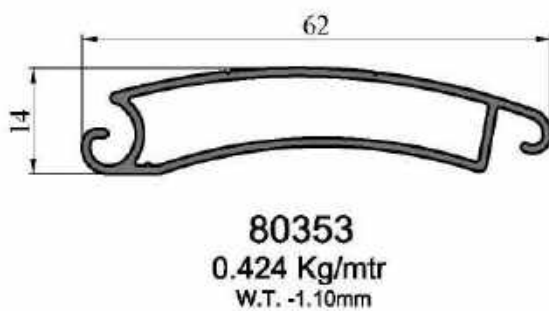
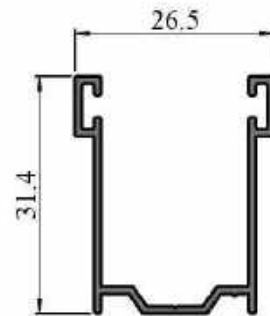
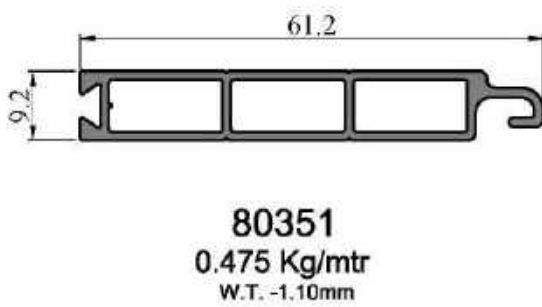
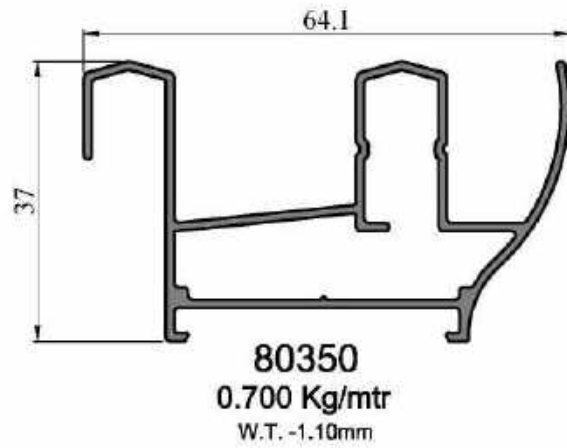
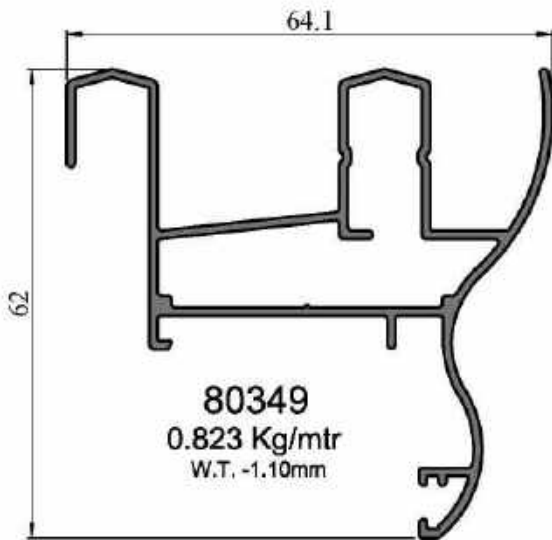


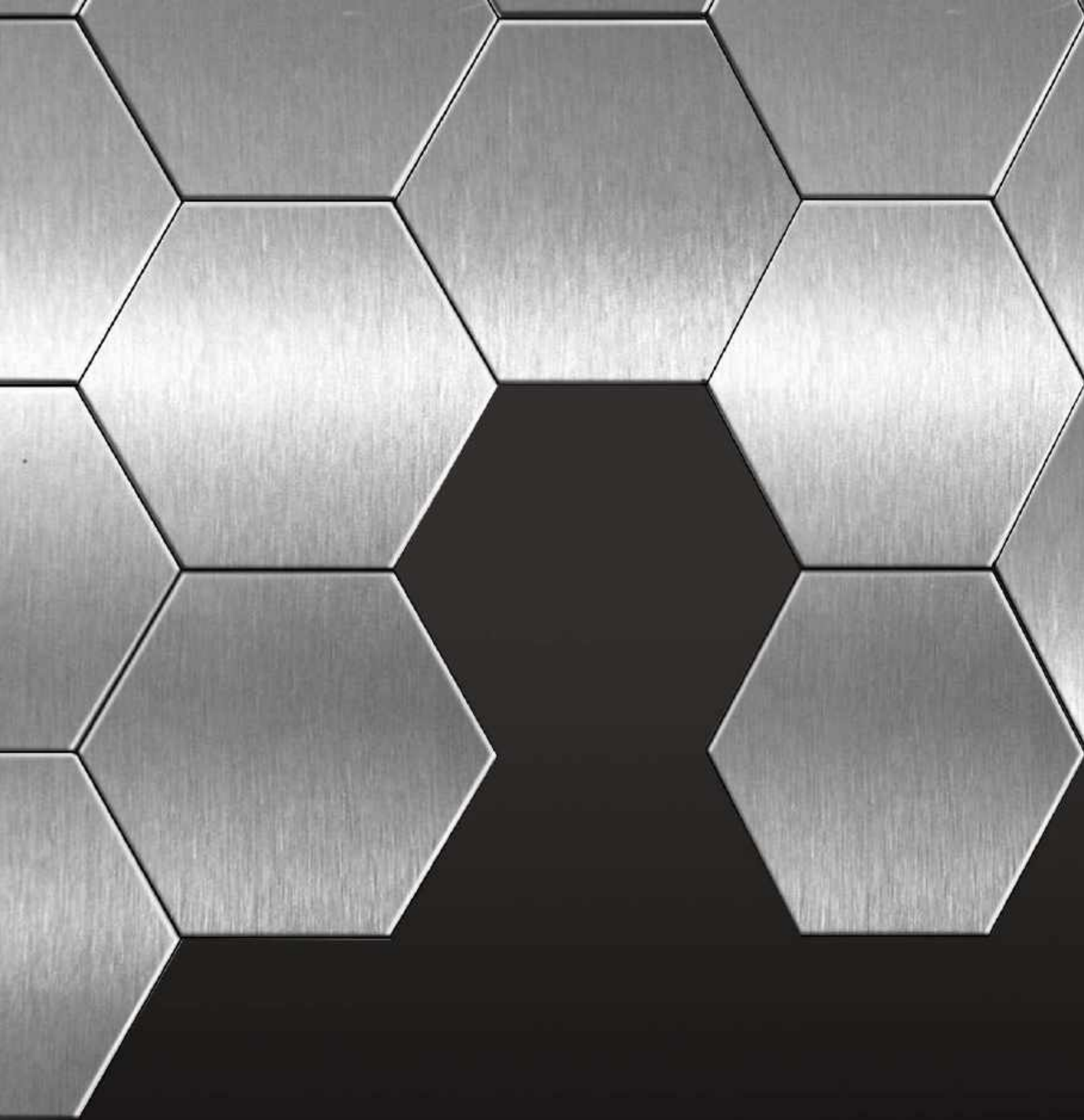
**80148**  
1.164 Kg/mtr  
W.T.-1.20mm



**80149**  
1.138 Kg/mtr  
W.T.-1.20mm







**FUTURE ALUMINIUM EXTRUSION**

**PLOT 34023 DUBAI INDUSTRIAL CITY, DUBAI**

**TEL: 04 454 21 62**

**FAX: 04 454 21 70**

**[WWW.FUTUREALU.COM](http://WWW.FUTUREALU.COM)**